

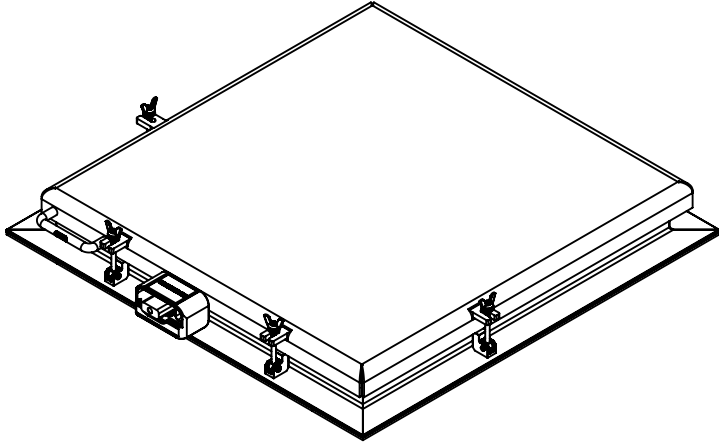
VERSA STEEL Approval Drawings

WATER RESERVOIR SECURITY HATCH, ST, NO SKIRT, SERIES 30 X 30

Assembly No.:VSH-200-A-30-30-STN-NS

ASSEMBLY NO./PART NUMBER KEY:

- VSH= VERSA STEEL INC. HATCH
- 200 = 200 P.S.F. RATED
- A= ALUMINUM CONSTRUCTION
- 30-30= SIZE INTERIOR OPENING
- STN = SINGLE TEE FRAME SERIES, NO SKIRT
- NS= NO GAS SPRING

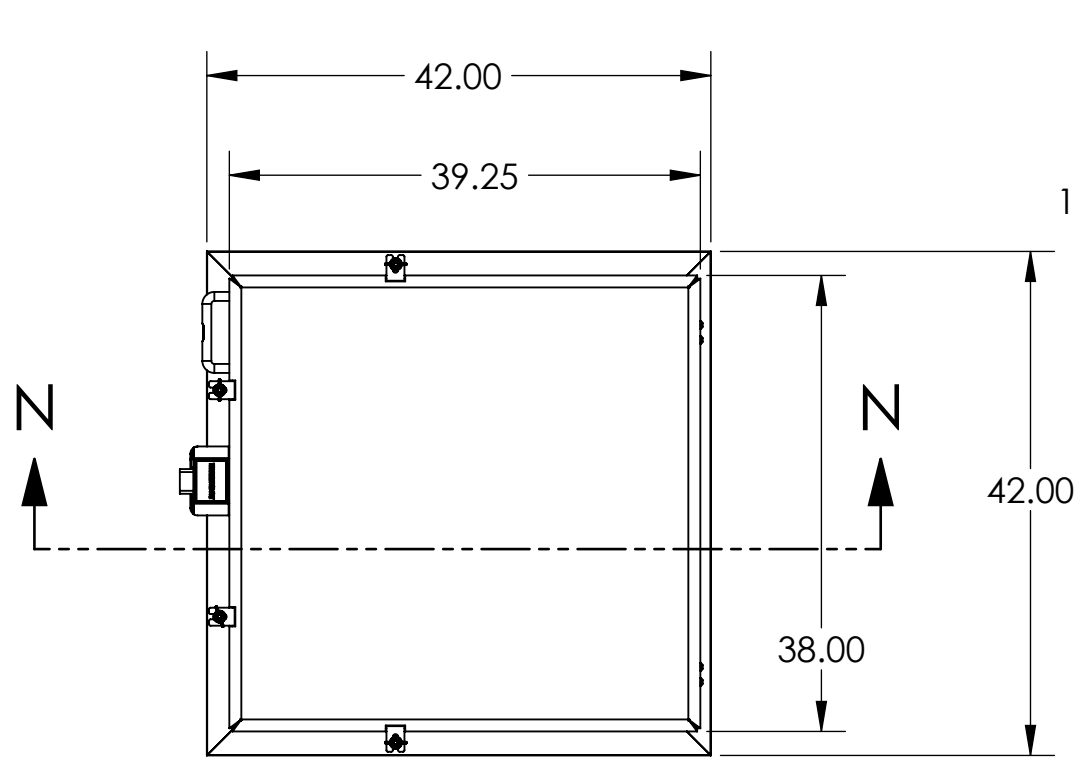


GENERAL SPECIFICATIONS:

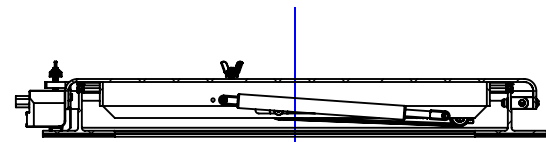
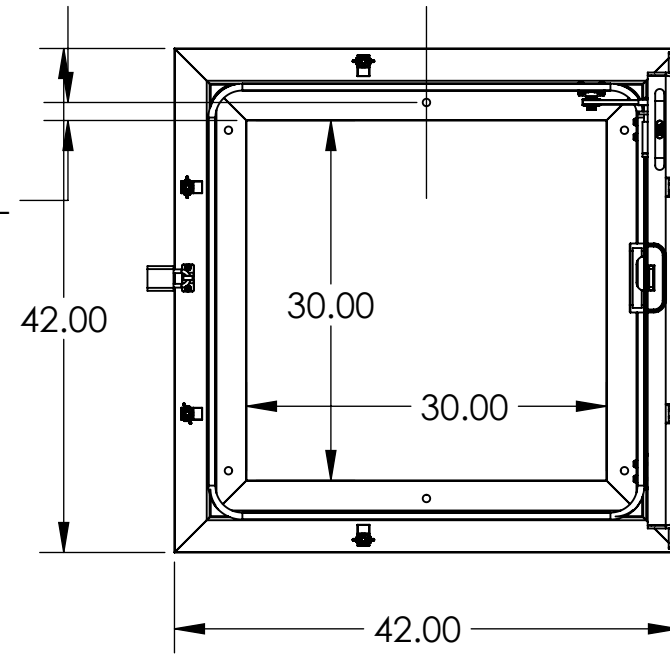
1. UNIT IS WEATHER PROOF WITH CONTINOUS BULB SEAL ON LID TO FRAME AND 1/4" X 5-1/4" WIDE FRAME TO CURB SEALS.
2. LID OVER LAPS FRAME A MINIMUM OF 2 INCHES.
3. FRAME IS A MINIMUM OF 4" ABOVE THE CURB.
4. LID IS HINGED ON SIDE WITH TAMPER PROOF SCREWS AND PROVISION FOR A PADLOCK WITH TAMPER PROOF COVER. THERE ARE A MINIMUM OF FOUR SWING BOLT HOLD DOWNS TO SECURE THE HATCH FOR WEATHER PROOF SEAL.
5. HATCH IS DESIGNED FOR 200 P.S.F. LOAD.
6. THERE ARE 8 INTERIOR ATTACHMENT POINTS FOR SECURITY USING 1/2" FASTENER. THERE IS A FULL FACE GASKET OF 5-1/4" WIDE CLOSED CELL FOAM EPDM BETWEEN FRAME AND CURB.
7. LID IS A 1/4" 5086 ALUMINUM PLATE.
8. ALL FASTENERS AND HARDWARE ARE 316 STAINLESS STEEL.

THIS DOCUMENT CONTAINS PROPRIETARY, TRADE SECRET INFORMATION THAT IS THE PROPERTY OF VERSA STEEL, INC. THE INFORMATION CONTAINED IN THIS DOCUMENT, INCLUDING THE PRINCIPLE OF DESIGN, MAY NOT BE USED OR COPIED, IN WHOLE OR IN PART, WITHOUT THE EXPRESS PRIOR WRITTEN CONSENT OF VERSA STEEL, INC.

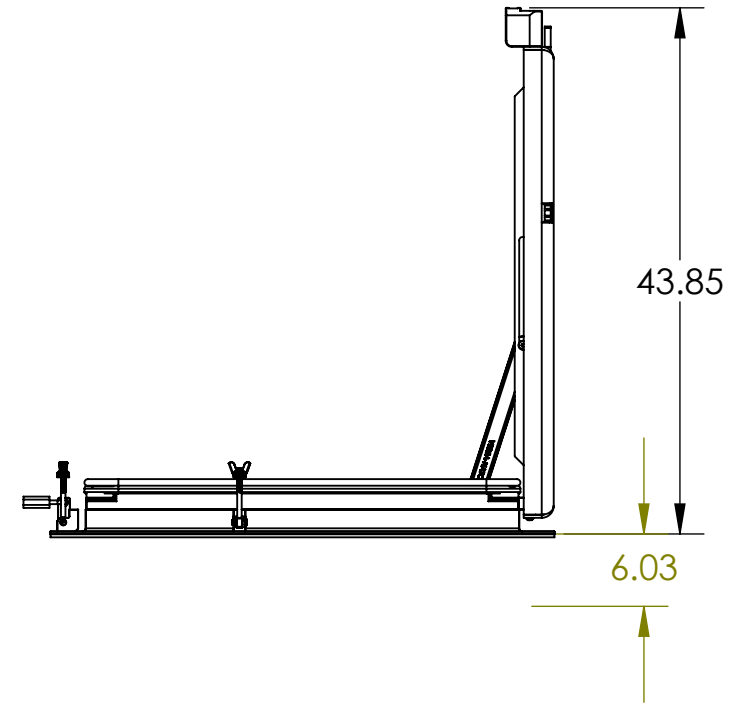
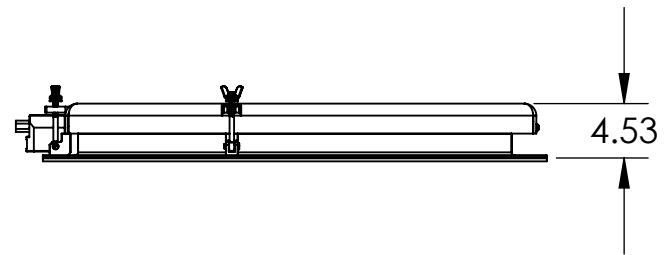
MATERIAL 6061-T6 ALUMINUM FINISH BARE SHEET TITLE PART NUMBER: VSH-200-A-30-30-STN-NS WATER RESERVOIR SECURITY HATCH, ST, NO SKIRT, SERIES 30 X 30	DRAWN BY E. BAILIFF DATE 2009-08-13 CHECKED BY APPROVED BY PART NUMBER VSH-200-A-30-30-STN-NS SUPPLIER FABRICATED PART SCALE 1:16 DRAWING NO. VSH-200-A-30-30-STN-NS-AF REVISION NO. A SHEET NO. 1 OF 4	VERSA STEEL, INC. 1618 NE FIRST AVENUE PORTLAND, OREGON 97232 (503)287-9822 FAX (503)-287-7483	G F E D C B A REV ISSUED FOR DATE BY
--	--	--	--



1.500 TYPICAL



SECTION N-N



NOTES:
 PN: VSH-200-A-30-30-STN-NS
 DESC: WATER RESERVOIR SECURITY HATCH, ST, NNO SKIRT, SERIES 30 X 30
 MATRL: 6061-T6 ALUMINUM
 EST. WT: 104.6
 FINISH: BARE
 NOTE: -
 CAD FILE: VSH-200-A-30-30-STN-NS-APPROVAL

THIS DOCUMENT CONTAINS PROPRIETARY, TRADE SECRET, INFORMATION THAT IS THE PROPERTY OF VERSA STEEL, INC. THE INFORMATION CONTAINED IN THIS DOCUMENT, INCLUDING THE PRINCIPLE OF DESIGN, MAY NOT BE USED OR COPIED, IN WHOLE OR IN PART, WITHOUT THE EXPRESS PRIOR WRITTEN CONSENT OF VERSA STEEL, INC.

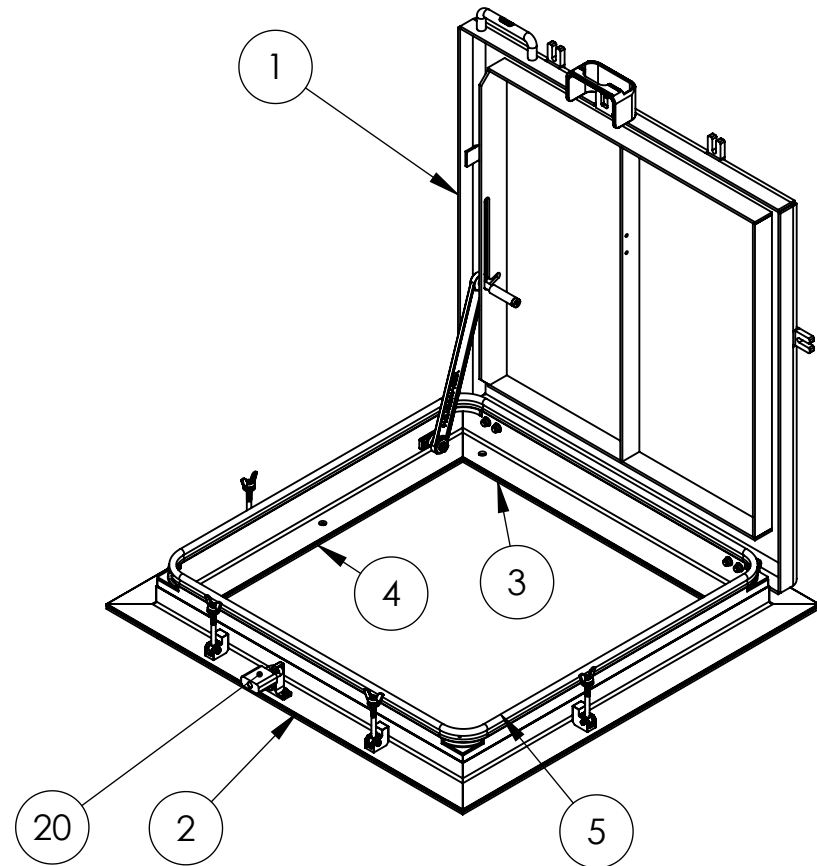
MATERIAL	6061-T6 ALUMINUM		
FINISH	BARE		
SHEET TITLE	WATER RESERVOIR SECURITY HATCH, ST, NNO SKIRT, SERIES 30 X 30		
PART NUMBER	VSH-200-A-30-30-STN-NS		
SUPPLIER	FABRICATED PART		
SCALE	1:16		
DRAWING NO.	VSH-200-A-30-30-STN-NS-AF		
REVISION NO.	A		
SHEET NO.	2 OF 4		
REV	ISSUED FOR	DATE	BY
G			
F			
E			
D			
C			
B			
A			

VERSA STEEL, INC.
 1618 NE FIRST AVENUE
 PORTLAND, OREGON 97232
 (503)287-9822
 FAX (503)-287-7483

DRAWN BY
 E. BAILIFF
 DATE
 2009-08-13
 CHECKED BY

APPROVED BY

PART NUMBER: VSH-200-A-30-30-STN-NS



SEE SHEET 4 FOR DETAIL CALLOUTS

NOTES:
 PN: VSH-200-A-30-30-STN-NS
 DESC: WATER RESERVOIR SECURITY HATCH, ST, NNO SKIRT, SERIES 30 X 30
 MATRL: 6061-T6 ALUMINUM
 EST. WT: 104.6
 FINISH: BARE
 NOTE: -
 CAD FILE: VSH-200-A-30-30-STN-NS-APPROVAL

ITEM NO.	PART NUMBER	DESCRIPTION	QTY
1	7000649-30X30	LID WELDMENT, T-FRAME 30 X 30	1
2	7000660-30X30-STN	T-FRAME, SKIRT 30 X 30	1
3	1001725-30	SEAL, BASE WIDTH 48	2
4	1001726-30	SEAL, BASE SIDE 48	2
5	1000559-30X30	HATCH SEAL, 30 X 30	1
6	1000740	DATA PLATE	1
7	C6LB-U12-6	LOCK BOLT STAINLESS 3/8" DIA (1/4" TO 1/2" GRIP RANGE)	4
8	3LC-2CU-12	HUCK LOCKING COLLAR, 3LC, 3/8", STAINLESS	4
9	1000793-06	SRING LOCK WASHER, 3/8", 316	4
10	1000792-06	WASHER, 3/8" 316, WIDE	4
11	VS-37	.375 Dia External, single turn, retaining ring-T316	4
12	1000059	ROD END 3/8" ID X 3/4" OD X 4 1/2" LG W/ 3/8-16 THRD X 2" LG	4
13	1000061	WING NUT, 3/8-16 UNC	4
14	1000664	Clevis Pin 3/8x1	4
15	GFI-0809-08	FLANGED BEARING	1
17	9446K71	LOCK BAR COVERING, GP PVC TUBING, RED	1
17	1000656	Shoulder Bolt 1/2x5/8	1
18	1000524-24	3/4" HOLD OPEN ARM, 24, 316 SST	1
19	1000844-08	WASHER, 1/2" ID X .06", NYLON	1
20	PADLOCK	PADLOCK, BY OTHERS, REFERENCE	1
21	1000060	SH SHOULDER SCREW, 3/8"-16 X 1/2" X 4.0 LG 316	1

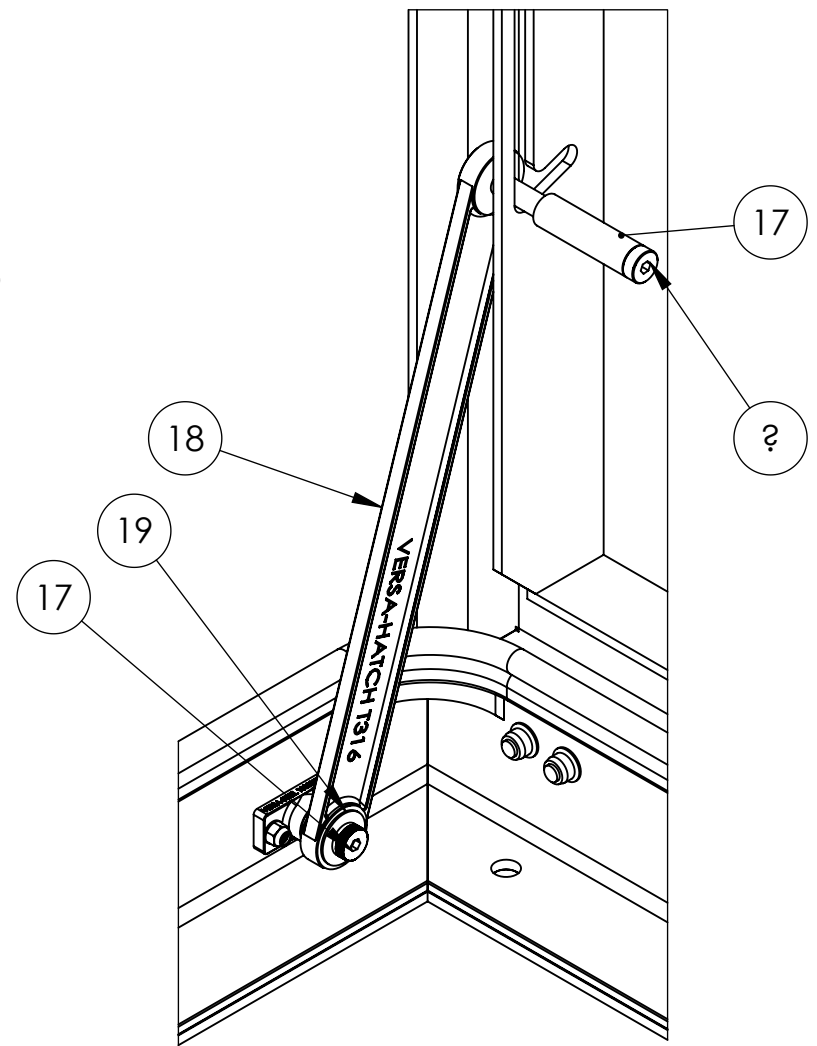
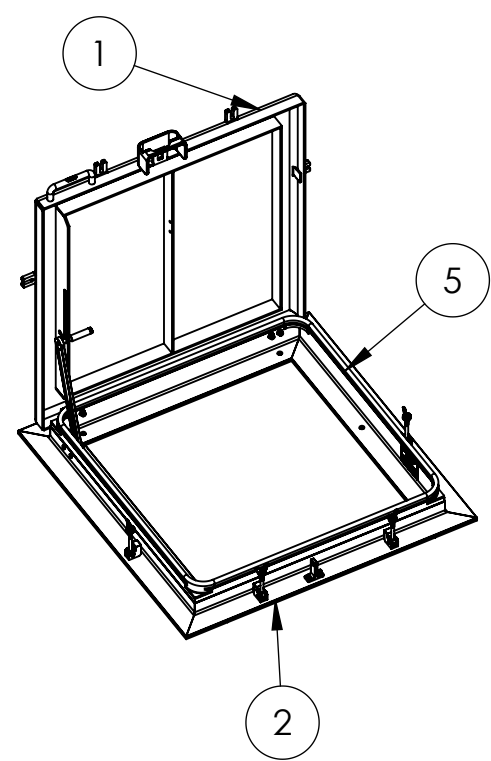
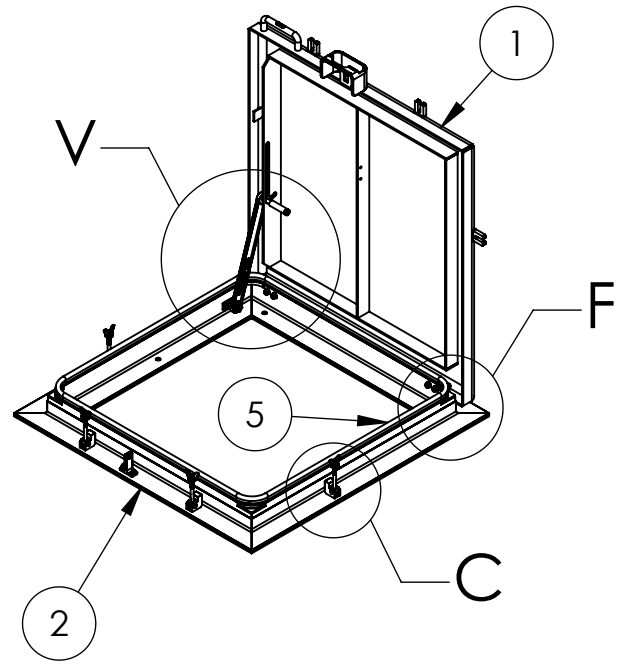
TOLERANCES:

DIMENSIONS ARE IN INCHES
 TOLERANCES:
 X.XX ± 0.020"
 X.XXX ± 0.005"
 UNLESS NOTED

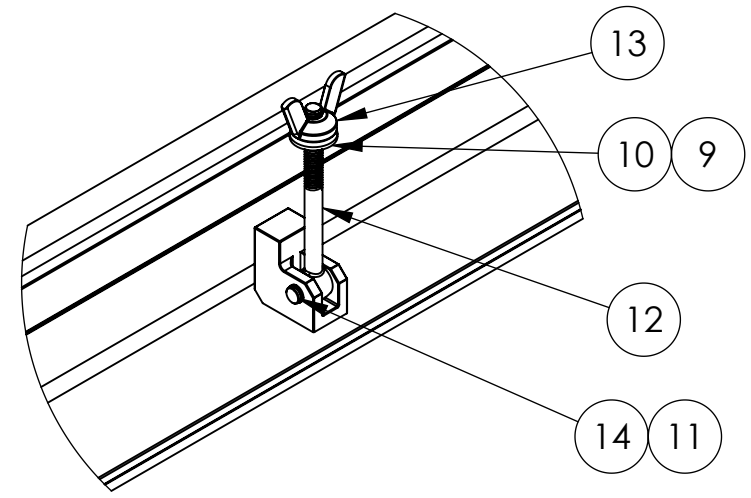
THIS DOCUMENT CONTAINS PROPRIETARY, TRADE SECRET, INFORMATION THAT IS THE PROPERTY OF VERSA STEEL, INC. THE INFORMATION CONTAINED IN THIS DOCUMENT, INCLUDING THE PRINCIPLE OF DESIGN, MAY NOT BE USED OR COPIED, IN WHOLE OR IN PART, WITHOUT THE EXPRESS PRIOR WRITTEN CONSENT OF VERSA STEEL, INC.

MATERIAL: 6061-T6 ALUMINUM
 FINISH: BARE
 SHEET TITLE: WATER RESERVOIR SECURITY HATCH, ST, NNO SKIRT, SERIES 30 X 30
 PART NUMBER: VSH-200-A-30-30-STN-NS
 SUPPLIER: VERSA STEEL, INC.
 1618 NE FIRST AVENUE
 PORTLAND, OREGON 97232
 (503)287-9822
 (503)-287-7483
 DRAWN BY: E. BAILIFF
 DATE: 2009-08-13
 CHECKED BY:
 APPROVED BY:
 REV: G F E D C B A
 ISSUED FOR: _____
 DATE: _____
 BY: _____

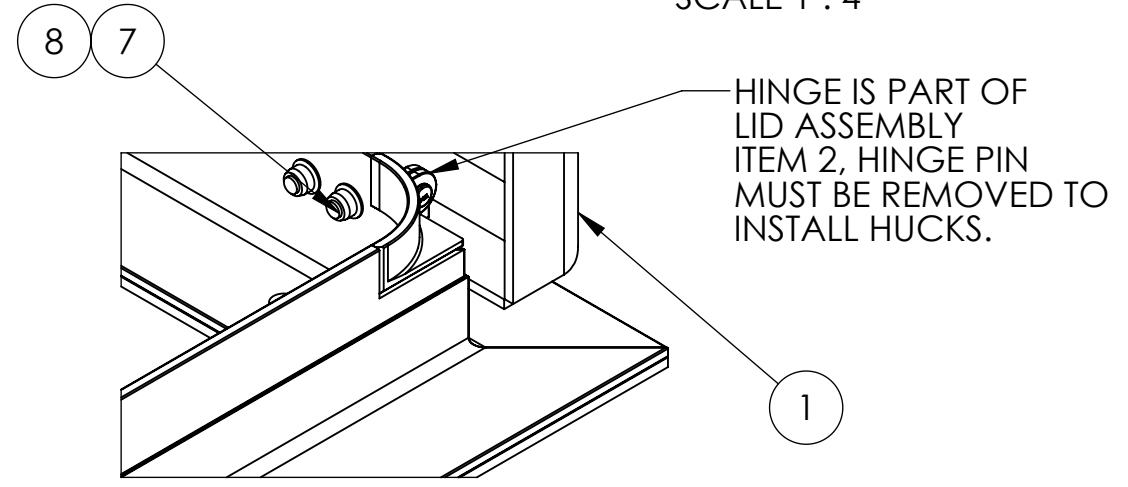
PART NUMBER: VSH-200-A-30-30-STN-NS
 SUPPLIER: VERSA STEEL, INC.
 FABRICATED PART
 SCALE: 1:16
 DRAWING NO.: VSH-200-A-30-30-STN-NS-AP
 REVISION NO.: A
 SHEET NO.: 3 OF 4



DETAIL V
SCALE 1 : 4



DETAIL C
SCALE 1 : 4



DETAIL F
SCALE 1 : 4

HINGE IS PART OF
LID ASSEMBLY
ITEM 2, HINGE PIN
MUST BE REMOVED TO
INSTALL HUCKS.

TOLERANCES:
DIMENSIONS ARE IN INCHES
TOLERANCES:
X.XX ± 0.020"
X.XXX ± 0.005"
UNLESS NOTED

THIS DOCUMENT CONTAINS PROPRIETARY, TRADE SECRET INFORMATION THAT IS THE PROPERTY OF VERSA STEEL, INC. THE INFORMATION CONTAINED IN THIS DOCUMENT, INCLUDING THE PRINCIPLE OF DESIGN, MAY NOT BE USED OR COPIED, IN WHOLE OR IN PART, WITHOUT THE EXPRESS PRIOR WRITTEN CONSENT OF VERSA STEEL, INC.

MATERIAL	6061-T6 ALUMINUM		
FINISH	BARE		
SHEET TITLE	WATER RESERVOIR SECURITY HATCH, ST, NNO SKIRT, SERIES 200		
PART NUMBER	VSH-200-A-30-30-STN-NS		
SUPPLIER	FABRICATED PART		
SCALE	1:24		
DRAWING NO.	VSH-200-A-30-30-STN-NS-AP		
REVISION NO.	A		
SHEET NO.	4 OF 4		
REV	ISSUED FOR	DATE	BY
G			
F			
E			
D			
C			
B			
A			

VERSA STEEL, INC.
1618 NE FIRST AVENUE
PORTLAND, OREGON 97232
(503)287-9822
FAX (503)-287-7483

DRAWN BY
E. BAILIFF
DATE
2009-08-13
CHECKED BY

APPROVED BY

PART NUMBER: VSH-200-A-30-30-STN-NS