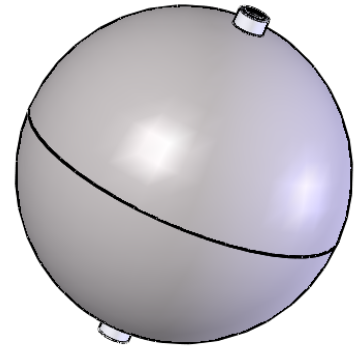
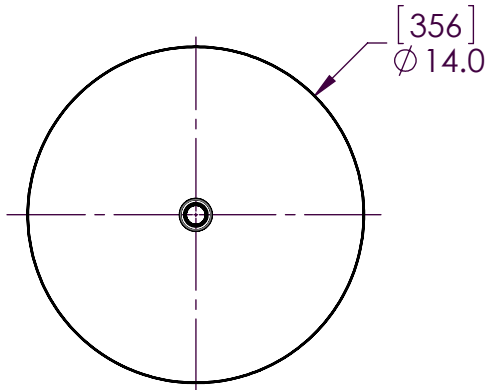


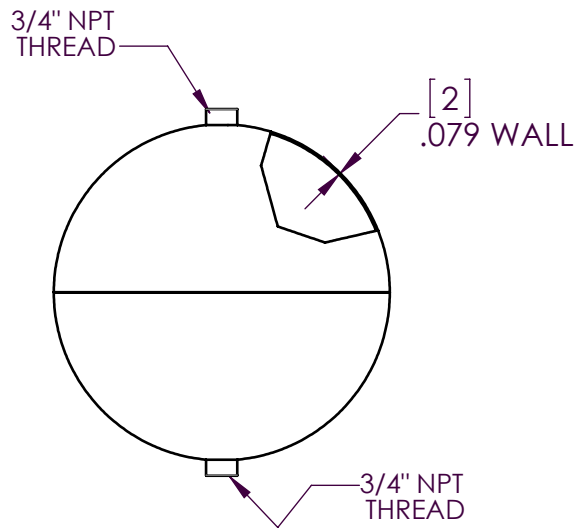
NOTES - (UNLESS OTHERWISE SPECIFIED)

1. ALL DIMENSIONS IN INCHES [mm].
2. DIMENSIONING AND TOLERANCING PER ASME Y14.5M.

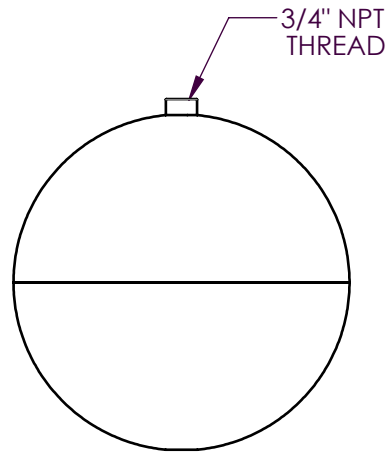
3. FLOAT AVAILABLE IN TWO CONFIGURATIONS AS SHOWN:
- A. TWO 3/4"-NPT FITTINGS.
 - B. ONE 3/4"-NPT FITTING.



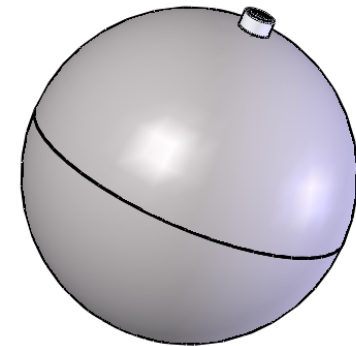
**ISO VIEW
CONFIGURATION:A**



**FRONT VIEW
CONFIGURATION:A**



**FRONT VIEW
CONFIGURATION:B**



**ISO VIEW
CONFIGURATION:B**

Versa-Steel, Inc
Portland, Oregon USA
Ph 503-287-9822
www.stainlessfloats.com

MATERIAL:	316 L
FINISH:	NONE, CLEANED AND POLISHED
DO NOT SCALE DRAWING	

PROPRIETARY AND CONFIDENTIAL
THE INFORMATION CONTAINED IN THIS DRAWING IS THE SOLE PROPERTY OF VERSA-STEEL, INC. ANY REPRODUCTION IN PART OR AS A WHOLE WITHOUT THE WRITTEN PERMISSION OF VERSA-STEEL, INC. IS PROHIBITED.

Description:		FLOAT, 356mm (14"), 3/4" NPT END	
VOLUME (CUBIC INCHES):	1388	WORKING CAPACITY WATER (LBS.):	36.31
SIZE A	WEIGHT (LBS.): 13.83	PART#: 7000560	REV. A