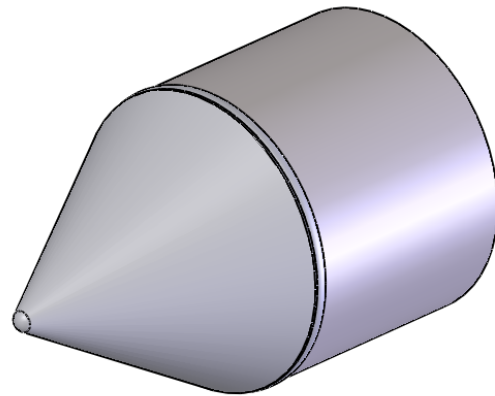
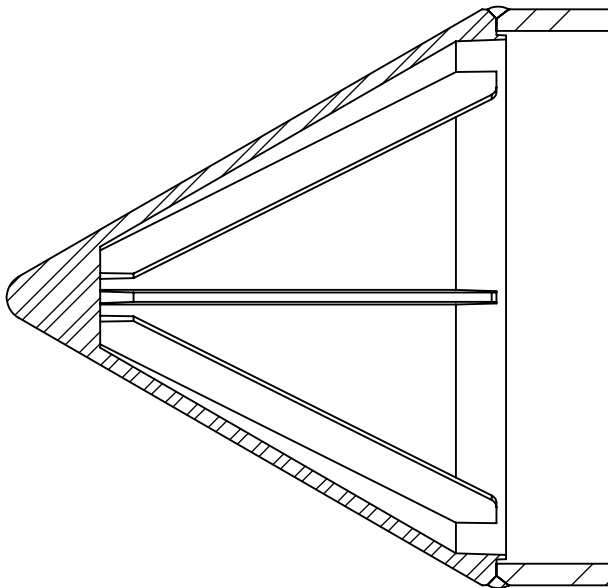




Phone: 1-800-678-0814 \ 1-503-287-9822 Fax: 1-800-287-7483 \ 1-503-287-7483

# Versa-Steel, Inc.

## Conical Point Data Sheet



**PROPRIETARY AND CONFIDENTIAL**

THE INFORMATION CONTAINED IN THIS DRAWING IS THE SOLE PROPERTY OF VERSA-STEEL, INC. ANY REPRODUCTION IN PART OR AS A WHOLE WITHOUT THE WRITTEN PERMISSION OF VERSA-STEEL, INC. IS PROHIBITED.

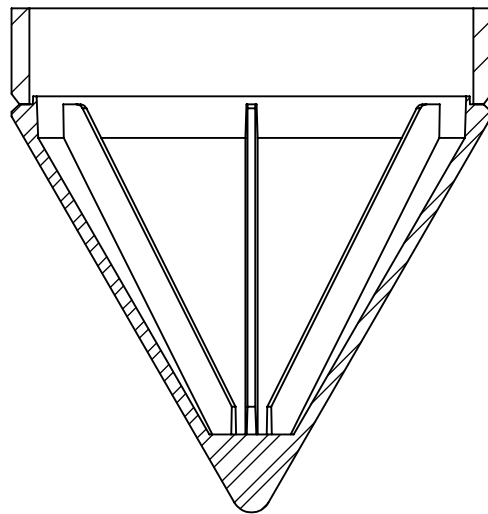
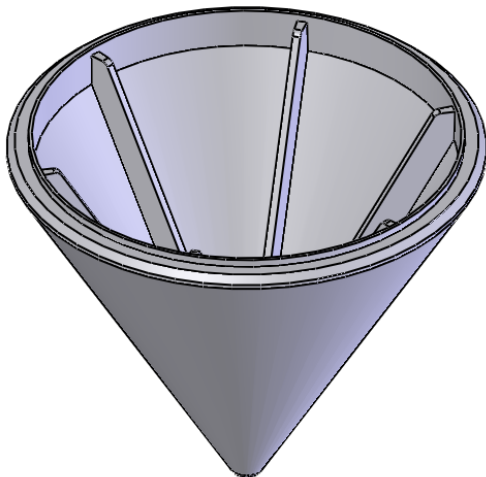
## Product Description

Our conical points are easy to install with a slip-on fit. The design places the cross-sectional area directly below the wall of the pipe for maximum support during penetration. They are a more heavy duty construction than other brands.

The inside-fit conical point has a weld prep built into the shoe. These tips are designed with a weld chamfer built into the casting. Slip shoe inside pipe and using a 70xx series rod weld a 5/16" or larger weld all around.

### Type Inside Fit

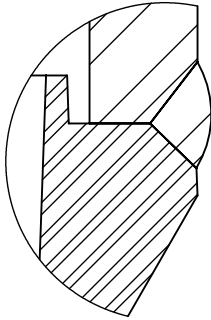
### Versa Steel Conical Point and Pipe Cross-Section View



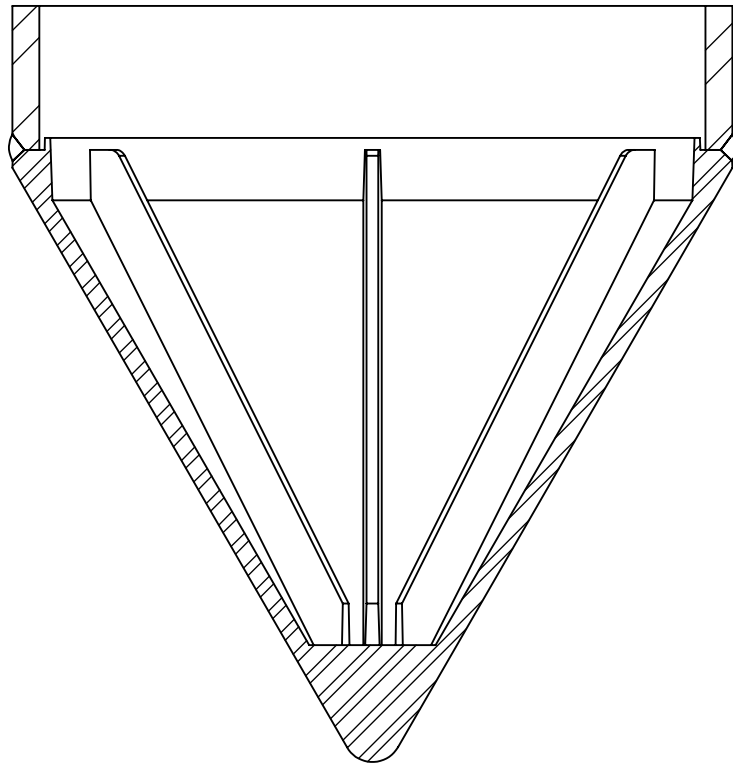
<p><b>PROPRIETARY AND CONFIDENTIAL</b></p> <p>THE INFORMATION CONTAINED IN THIS DRAWING IS THE SOLE PROPERTY OF VERSA-STEEL, INC. ANY REPRODUCTION IN PART OR AS A WHOLE WITHOUT THE WRITTEN PERMISSION OF VERSA-STEEL, INC. IS PROHIBITED.</p>			DIMENSIONS ARE IN INCHES TOLERANCES:			NAME	DATE	<p>Description: <b>Conical Points</b></p> <p>Part Number: <b>VS 900 Series</b></p> <p>SIZE   DWG. NO.   REV. <b>A</b> Equipment Data Sheet <b>A</b></p> <p>SCALE:1:12   WEIGHT:   SHEET 2 OF 3</p>
			1/X ± 1/16"		DRAWN	JML	02/19/2008	
			.XX ± .01		CHECKED			
			.XXX ± .003		ENG APPR.			
			.XXXX ± .0005		MFG APPR.			
			MATERIAL	Steel Alloy	Q.A.			
NEXT ASSY	USED ON	FINISH	None	COMMENTS:				
APPLICATION		DO NOT SCALE DRAWING						

# Conical Points

## Type Inside Fit



These tips are designed with a weld chamfer built into the casting. Slip conical point inside pipe and using a 70xx series rod weld a 5/16" or larger weld all around.



		DIMENSIONS ARE IN INCHES TOLERANCES:		NAME	DATE	Description: Conical Points
				DRAWN	JML 02/19/2008	
		1/X ± 1/16"		CHECKED		Part Number: VS 900 Series
		.XX ± .01		ENG APPR.		
		.XXX ± .003		MFG APPR.		Part Number: VS 900 Series
		.XXXX ± .0005		Q.A.		
		MATERIAL		COMMENTS:		Part Number: VS 900 Series
		Steel Alloy				
		FINISH				Part Number: VS 900 Series
		None				
NEXT ASSY	USED ON					Part Number: VS 900 Series
APPLICATION		DO NOT SCALE DRAWING				

**PROPRIETARY AND CONFIDENTIAL**  
THE INFORMATION CONTAINED IN THIS DRAWING IS THE SOLE PROPERTY OF VERSA-STEEL, INC. ANY REPRODUCTION IN PART OR AS A WHOLE WITHOUT THE WRITTEN PERMISSION OF VERSA-STEEL, INC. IS PROHIBITED.

SIZE DWG. NO. **A** Equipment Data Sheet **A** REV.  
SCALE: 1:8 WEIGHT: SHEET 3 OF 3