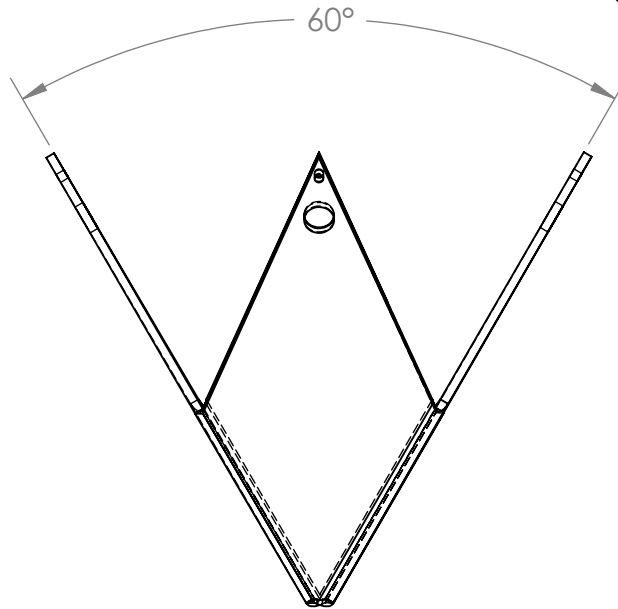
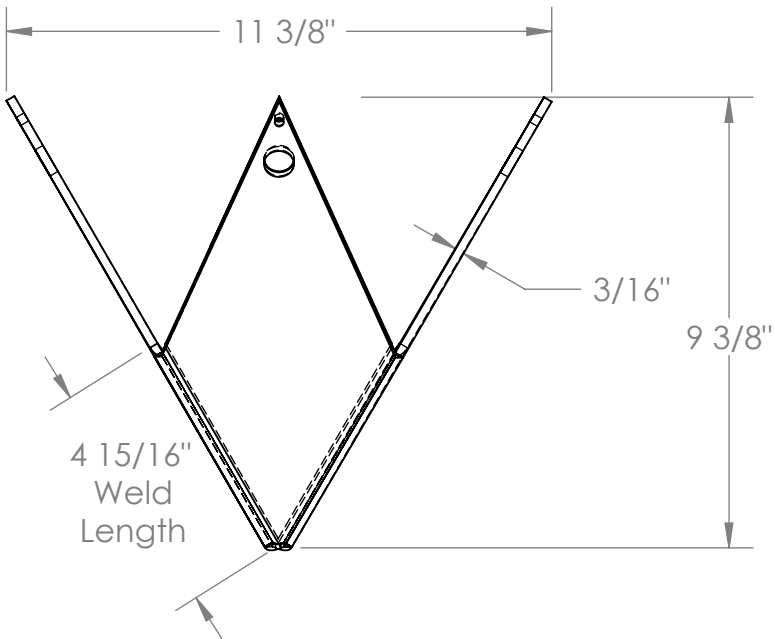
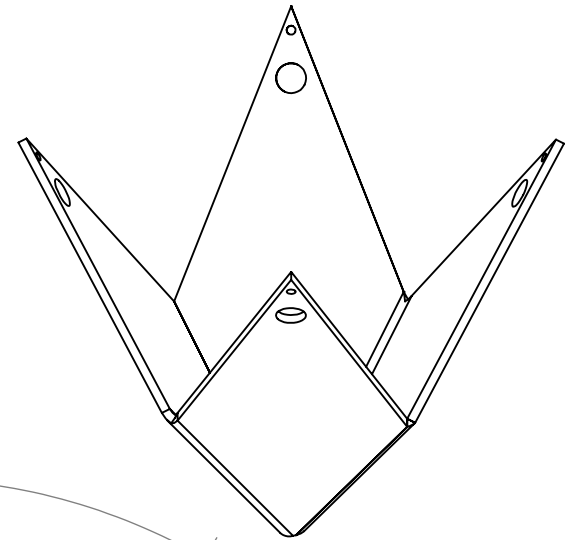


Full Pen
Weld
2 places



PROPRIETARY AND CONFIDENTIAL

THE INFORMATION CONTAINED IN THIS DRAWING IS THE SOLE PROPERTY OF VERSA-STEEL, INC. ANY REPRODUCTION IN PART OR AS A WHOLE WITHOUT THE WRITTEN PERMISSION OF VERSA-STEEL, INC. IS PROHIBITED.

DIMENSIONS ARE IN INCHES
TOLERANCES:

- 1/X ± 1/16"
- .XX ± .01
- .XXX ± .003
- .XXXX ± .0005

MATERIAL
ASTM A-36
FINISH
Bare

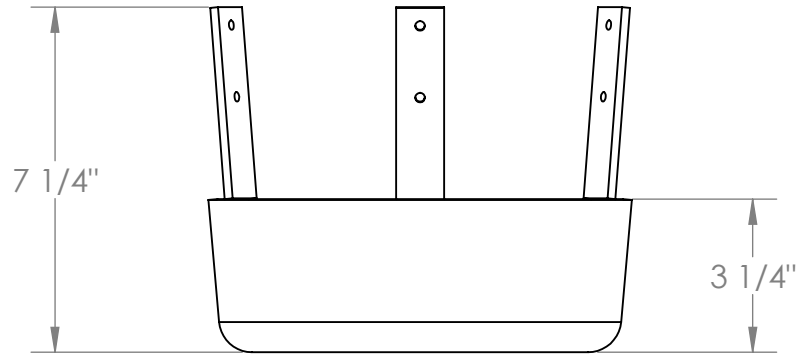
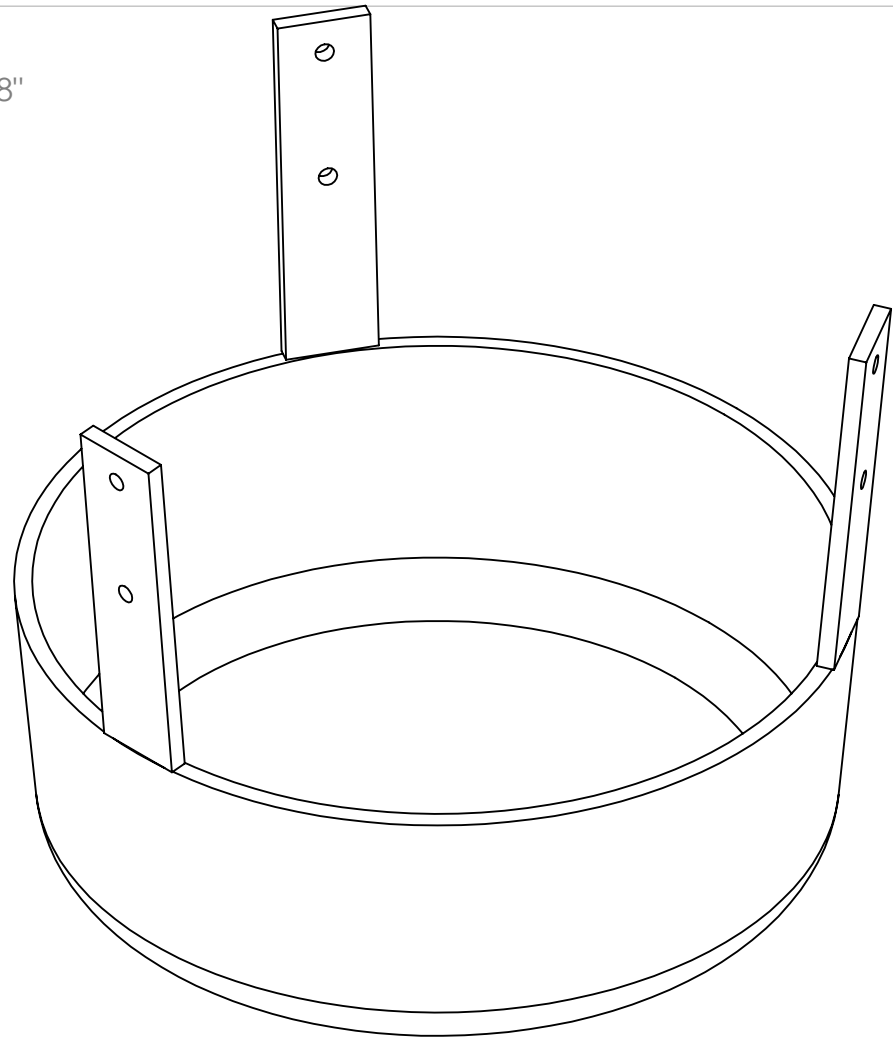
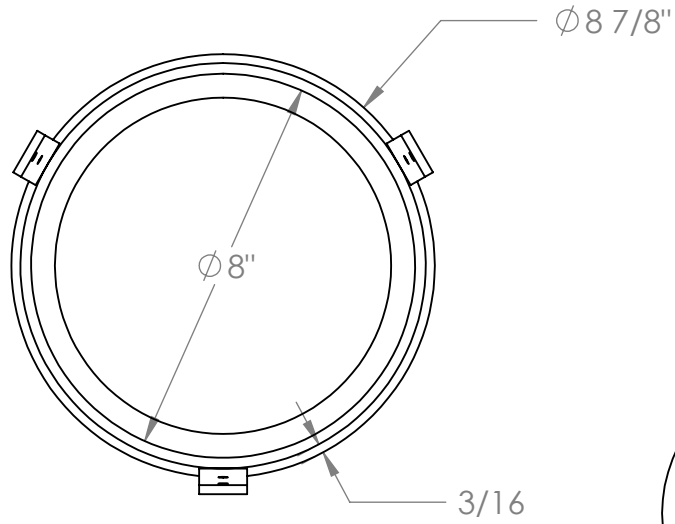
DO NOT SCALE DRAWING

	NAME	DATE
DRAWN	CFH	4-14-05
CHECKED		
ENG APPR.		
MFG APPR.		
Q.A.		
COMMENTS:		

Versa-Steel, Inc
Portland, Oregon USA
Ph 503-287-9822

Description:
Arrowhead Point B-2 piece

SIZE	DWG. NO.	REV.
B	VS605_B	A
SCALE: 1:4	WEIGHT: 5.68 Lbs.	SHEET 1 OF 1



Notes:

PROPRIETARY AND CONFIDENTIAL

THE INFORMATION CONTAINED IN THIS DRAWING IS THE SOLE PROPERTY OF VERSA-STEEL, INC. ANY REPRODUCTION IN PART OR AS A WHOLE WITHOUT THE WRITTEN PERMISSION OF VERSA-STEEL, INC. IS PROHIBITED.

DIMENSIONS ARE IN INCHES
TOLERANCES:

- 1/X $\pm 1/8$ "
- .XX $\pm .01$
- .XXX $\pm .003$
- .XXXX $\pm .0005$

MATERIAL
Carbon Steel
FINISH None

DO NOT SCALE DRAWING

	NAME	DATE
DRAWN		
CHECKED		
ENG APPR.		
MFG APPR.		
Q.A.		
COMMENTS:		

Versa-Steel, Inc
Portland, Oregon USA
Ph 503-287-9822

Description: VS 600 Series Boot
Part Number: VS608B

SIZE	DWG. NO.	REV.
A	1 of 1	A

SCALE: 1:4 WEIGHT: **7.4** Lbs. SHEET 1 OF 4