

VERSA STEEL

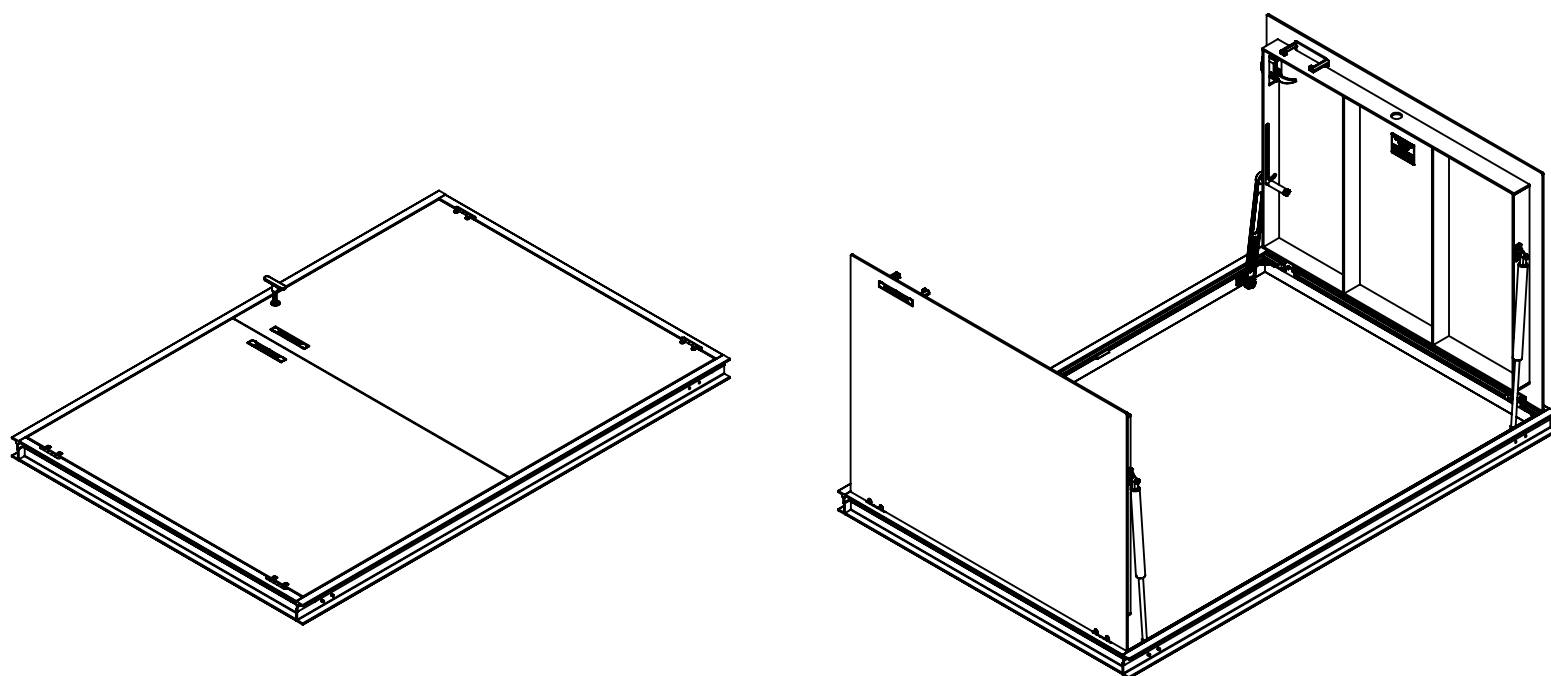
SPECIFICATION

HATCH ASSEMBLY FLUSH, 48 X 72 PEDESTRIAN

Assembly No.: VSH-300-A-48-72-D-GS

ASSEMBLY NO./PART NUMBER KEY:

VSH= VERSA STEEL INC. HATCH
 300 = SIDWALK, STREET, FLUSH, 300 P.S.F RATED,
 A= ALUMINUM CONSTRUCTION
 48-72= SIZE INTERIOR OPENING
 D = DUAL LEAF, SLAM LATCH
 GS= GAS SPRING ASSIST



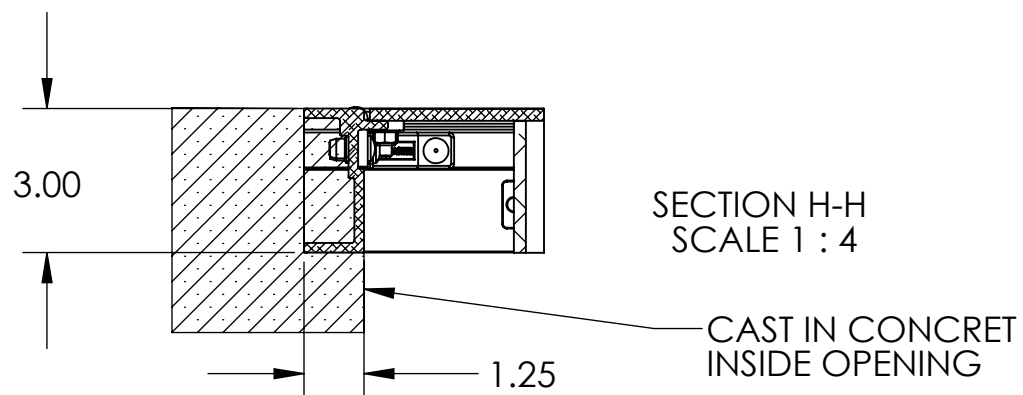
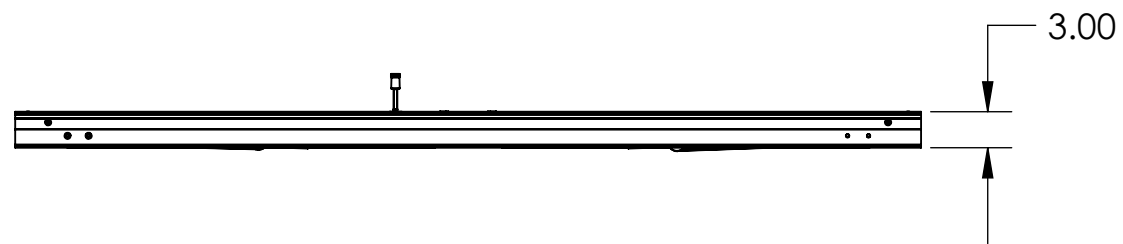
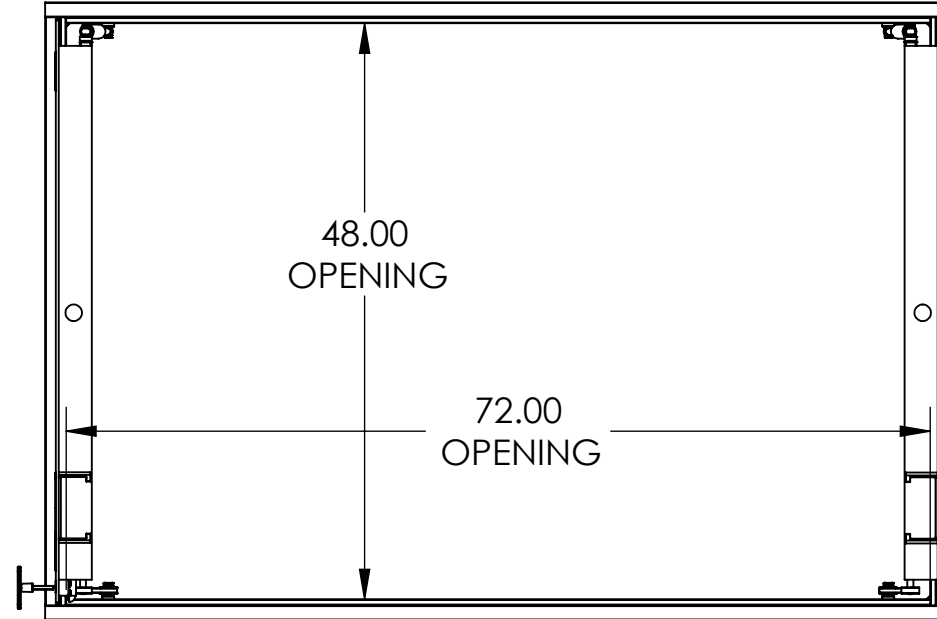
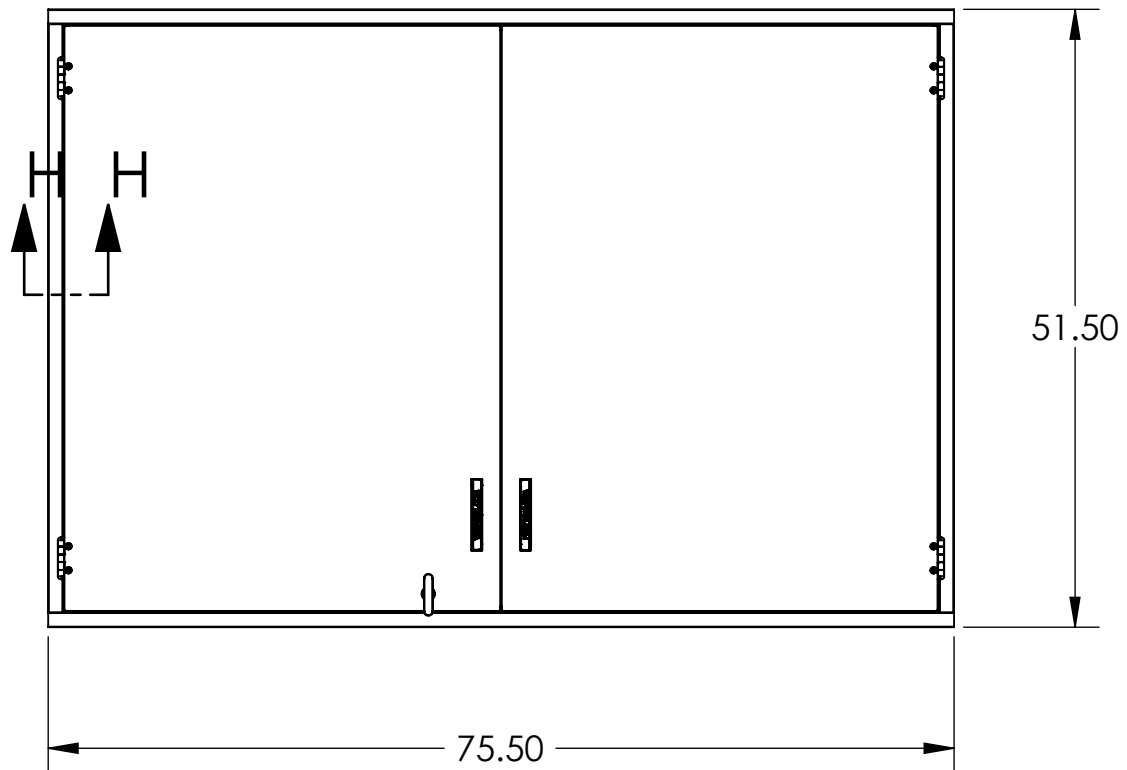
GENERAL SPECIFICATIONS:

- ASSEMBLY NUMBER F300 HATCH ASSEMBLY MANUFACTURED BY VERSA STEEL INC., PORTLAND, OR., 800-678-0814
- MATERIAL IS 6061-T6 ALUMINUM FOR BARS, AND EXTRUSIONS. 1/4" TREAD PLATE IS 5086.
- UNIT IS DESIGNED FOR 300 P.S.F LOADS.
- UNIT IS DESIGNED TO BE CAST INTO CONCRETE FLOOR OR CURBING. CONCRETE MUST SUPPORT THE F300 RATING FOR PROPER INSTALLATION OF HATCH.
- FRAME IS CONTINUOUS EXTRUDED CHANNEL 1-5/8" WIDE WITH LEGS TO LOCK INTO CONCRETE FOR THE COMPLETE PERIMETER OF FRAME. EACH CORNER HAS A CORNER REINFORCEMENT CLIP BOLTED IN PLACE.
- HINGES ARE HEAVY DUTY DESIGN, MATERIAL IS 316 STAINLESS STEEL.
- ALL FASTENERS ARE GRADE 316 STAINLESS STEEL, NUTS ARE SELF LOCKING NYLON INSERT TYPE.
- ALL ALUMINUM IS MILL FINISH WITH THE EXTERIOR OF FRAME THAT CONTACT CONCRETE HAS A COAT OF BLACK BITUMINOUS PAINT. THE TREAD PLATE SURFACE IN SAND BLAST ETCHED FOR NON-SLIP SURFACE IN ADDITION TO TREAD.
- LID IS SUPPLIED WITH A STAINLESS STEEL SLAM LOCK WITH A THREADED O-RING CLOSURE AND A TEE HANDLE TO REMOVE CLOSURE AND OPERATE THE SLAM LOCK. SLAM LOCK HAS INTERNAL HANDLE FOR ACCESS INTERNALLY.
- A STAINLESS STEEL LIFT HANDLE IS SUPPLIED AND IS FLUSH WITH TOP OF LID WHEN NOT IN USE.
- LID IS HELD OPEN IN A 90 DEGREE POSITION WITH A LOCK OPEN ARM, MANUALLY RELEASED TO CLOSE HATCH.
- LID SURFACE IS AN APPROVED SAFETY COATINGS NON-SLIP SURFACE, PLATE TREATED FOR COEFFICIENT OF FRICTION MINIMUM OF .8 PER UTILITY ACCESS DOOR SPECIFICATION.
- GAS SPRING ASSIST ON EACH DOOR MADE FROM 316 STAINLESS AND FILLED WITH FOOD GRADE OIL.

THIS DOCUMENT CONTAINS PROPRIETARY, TRADE SECRET INFORMATION THAT IS THE PROPERTY OF VERSA STEEL, INC. THE INFORMATION CONTAINED IN THIS DOCUMENT, INCLUDING THE PRINCIPLE OF DESIGN, MAY NOT BE USED OR COPIED, IN WHOLE OR IN PART, WITHOUT THE EXPRESS PRIOR WRITTEN CONSENT OF VERSA STEEL, INC.

VERSA STEEL, INC. 1618 NE FIRST AVENUE PORTLAND, OREGON 97232 (503)287-9822 FAX (503)-287-7483		G F E D C B A	REV ISSUED FOR DATE BY
DRAWN BY		E. BAILIFF	
DATE		2010-9-25	
CHECKED BY			
APPROVED BY			
MATERIAL	FINISH	SHEET TITLE	PART NUMBER
		HATCH ASSEMBLY FLUSH, 48 X 72	VSH-300-A-48-72-D-GS
PART NUMBER		VSH-300-A-48-72-D-GS	
SUPPLIER			
SCALE		1:24	
DRAWING NO.		VSH-300-A-48-72-D-GS	
REVISION NO.		A	
SHEET NO.		1 OF 2	

SPEC



NOTES:
 PN: VSH-300-A-48-72-D-GS
 DESC: HATCH ASSEMBLY FLUSH, 48 X 72
 MATRL:
 EST. WT: 137.85
 FINISH:
 NOTE:
 CAD FILE: VSH-300-A-48-72-D-GS-SPEC

THIS DOCUMENT CONTAINS PROPRIETARY, TRADE SECRET INFORMATION THAT IS THE PROPERTY OF VERSA STEEL, INC. THE INFORMATION CONTAINED IN THIS DOCUMENT, INCLUDING THE PRINCIPLE OF DESIGN, MAY NOT BE USED OR COPIED, IN WHOLE OR IN PART, WITHOUT THE EXPRESS PRIOR WRITTEN CONSENT OF VERSA STEEL, INC.

MATERIAL FINISH SHEET TITLE HATCH ASSEMBLY FLUSH, 48 X 72 PART NUMBER: VSH-300-A-48-72-D-GS		G F E D C B A	REV ISSUED FOR DATE BY
DRAWN BY E. BAILIFF DATE 2010-9-25 CHECKED BY		VERSA STEEL, INC. 1618 NE FIRST AVENUE PORTLAND, OREGON 97232 (503)287-9822 FAX (503)-287-7483	
APPROVED BY		PART NUMBER VSH-300-A-48-72-D-GS SUPPLIER	
SCALE 1:16 DRAWING NO. VSH-300-A-48-72-D-GS-SPEC REVISION NO. A		SHEET NO. 2 OF 2	