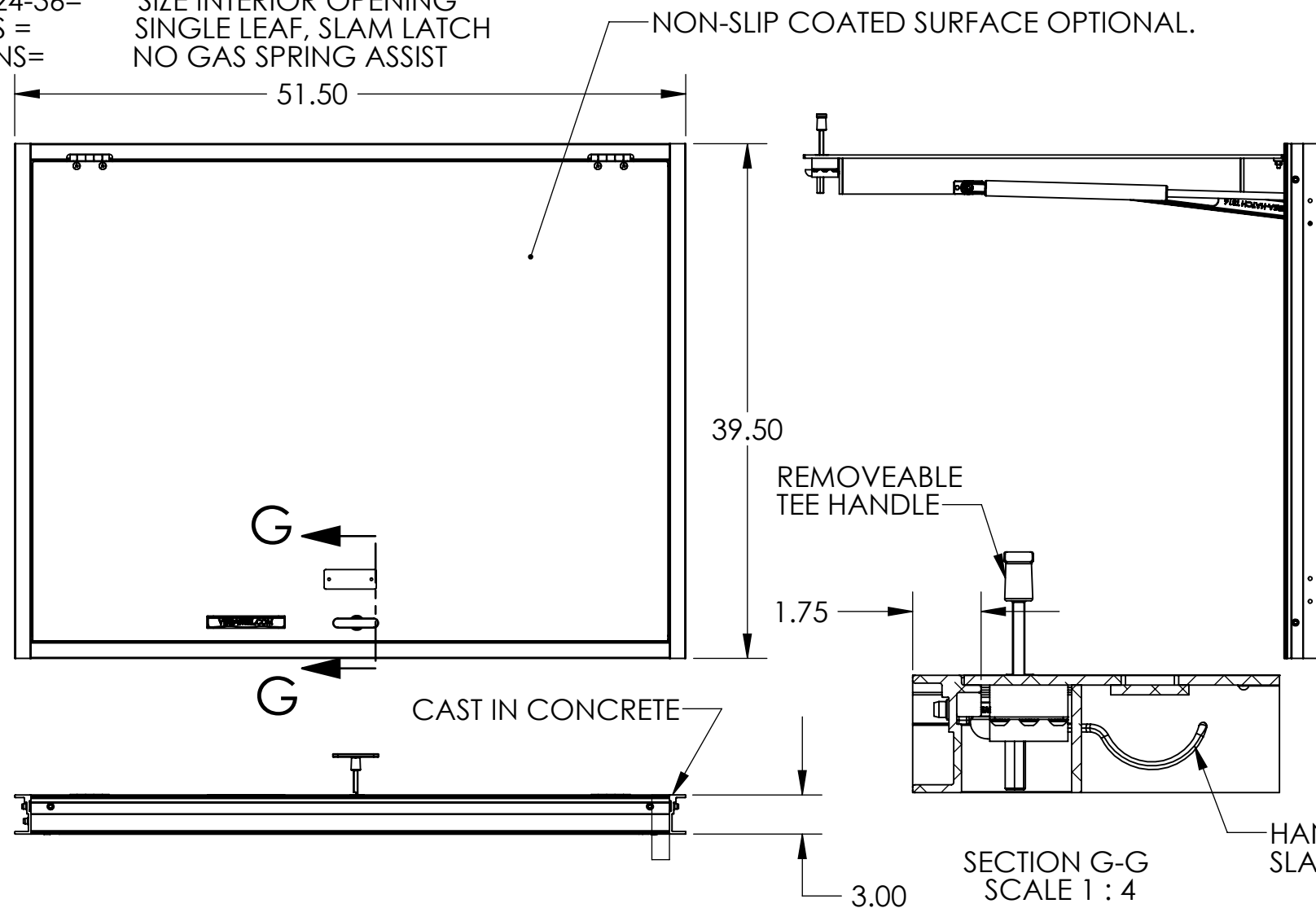


# VERSA STEEL Approval Drawings

## HATCH ASSEMBLY FLUSH, 36 X 48 PEDESTRIAN Assembly No.: VSH-300-A-36-48-GS

ASSEMBLY NO./PART NUMBER KEY:

VSH= VERSA STEEL INC. HATCH  
 F300 = SIDWALK, STREET, FLUSH, 300 P.S.F RATED,  
 A= ALUMINUM CONSTRUCTION  
 24-36= SIZE INTERIOR OPENING  
 S = SINGLE LEAF, SLAM LATCH  
 NS= NO GAS SPRING ASSIST

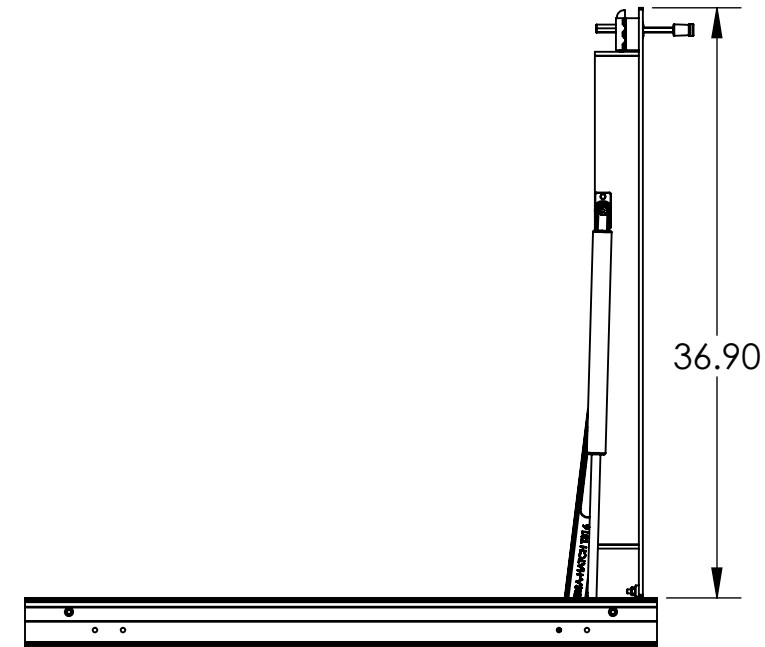
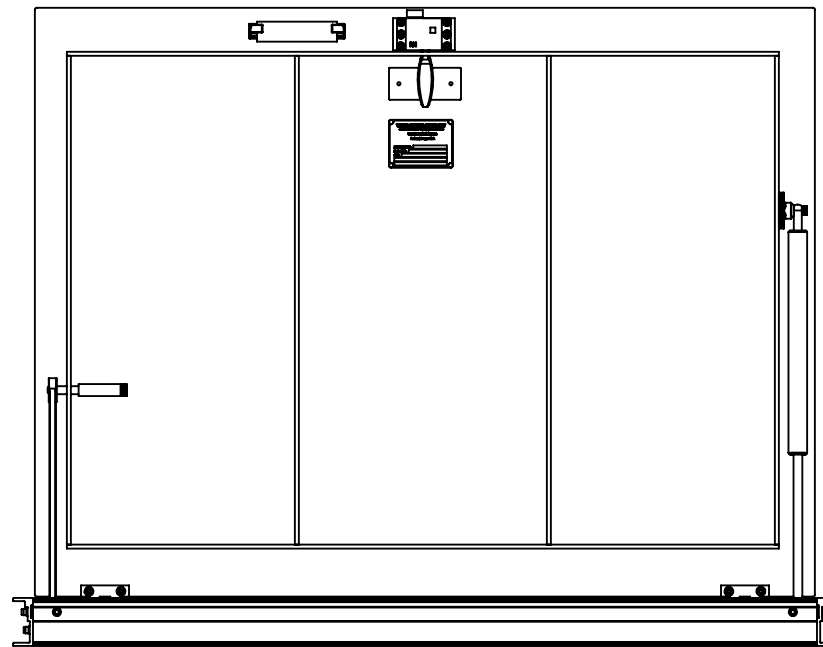
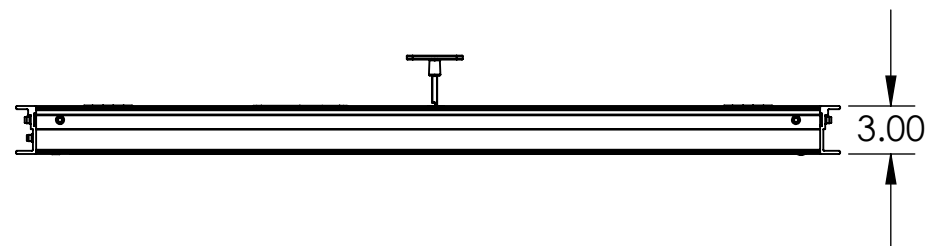
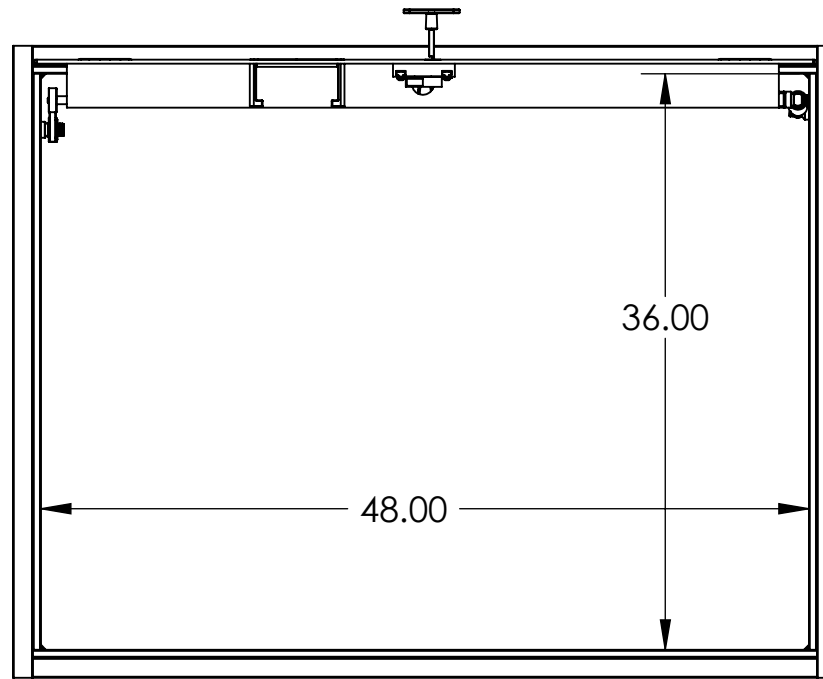
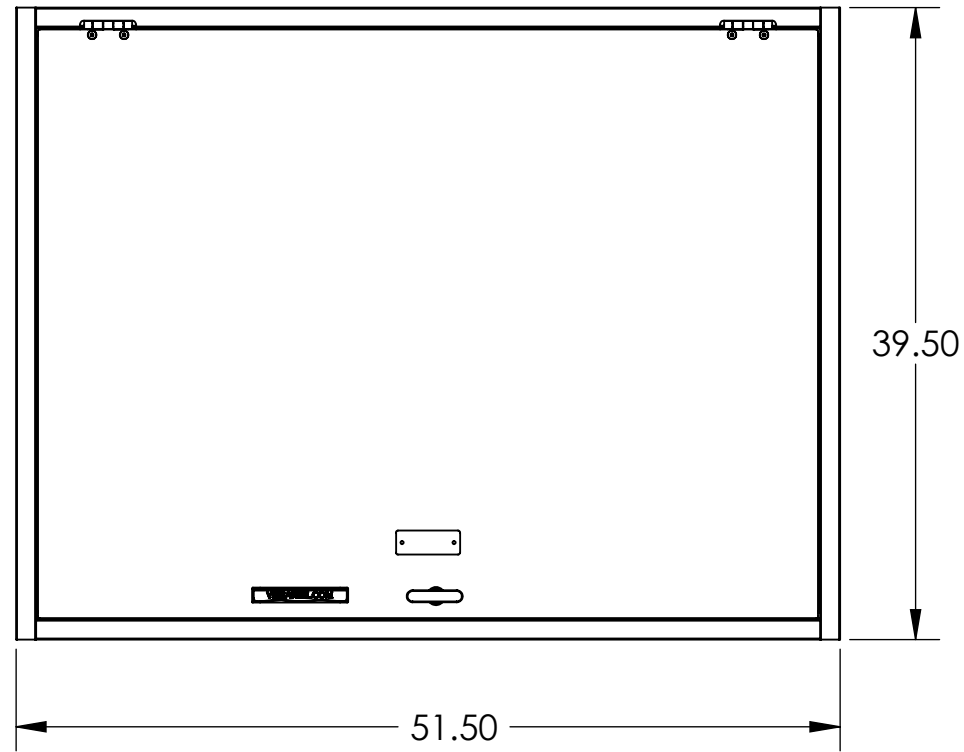


### GENERAL SPECIFICATIONS:

- ASSEMBLY NUMBER F300 HATCH ASSEMBLY MANUFACTURED BY VERSA STEEL INC., PORTLAND, OR., 800-678-0814
- MATERIAL IS 6061-T6 ALUMINUM FOR BARS, AND EXTRUSIONS. 1/4" TREAD PLATE IS 5086.
- UNIT IS DESIGNED FOR 300 P.S.F LOADS.
- UNIT IS DESIGNED TO BE CAST INTO CONCRETE FLOOR OR CURBING. CONCRETE MUST SUPPORT THE F300 RATING FOR PROPER INSTALLATION OF HATCH.
- FRAME IS CONTINUOUS EXTRUDED CHANNEL 1-5/8" WIDE WITH LEGS TO LOCK INTO CONCRETE FOR THE COMPLETE PERIMETER OF FRAME. EACH CORNER HAS A CORNER REINFORCEMENT CLIP BOLTED IN PLACE.
- HINGES ARE HEAVY DUTY DESIGN, MATERIAL IS 316 STAINLESS STEEL.
- ALL FASTENERS ARE GRADE 316 STAINLESS STEEL, NUTS ARE SELF LOCKING NYLON INSERT TYPE.
- ALL ALUMINUM IS MILL FINISH WITH THE EXTERIOR OF FRAME THAT CONTACT CONCRETE HAS A COAT OF BLACK BITUMINOUS PAINT. THE TREAD PLATE SURFACE IN SAND BLAST ETCHED FOR NON-SLIP SURFACE IN ADDITION TO TREAD.
- LID IS SUPPLIED WITH A STAINLESS STEEL SLAM LOCK WITH A THREADED O-RING CLOSURE AND A TEE HANDLE TO REMOVE CLOSURE AND OPERATE THE SLAM LOCK. SLAM LOCK HAS INTERNAL HANDLE FOR ACCESS INTERNALLY.
- A STAINLESS STEEL LIFT HANDLE IS SUPPLIED AND IS FLUSH WITH TOP OF LID WHEN NOT IN USE.
- LID IS HELD OPEN IN A 90 DEGREE POSITION WITH A LOCK OPEN ARM, MANUALLY RELEASED TO CLOSE HATCH.
- LID SURFACE IS AN APPROVED SAFETY COATINGS NON-SLIP SURFACE, PLATE TREATED FOR COEFFICIENT OF FRICTION MINIMUM OF .8 PER UTILITY ACCESS DOOR SPECIFICATION.

THIS DOCUMENT CONTAINS PROPRIETARY, TRADE SECRET INFORMATION THAT IS THE PROPERTY OF VERSA STEEL, INC. THE INFORMATION CONTAINED IN THIS DOCUMENT, INCLUDING THE PRINCIPLE OF DESIGN, MAY NOT BE USED OR COPIED, IN WHOLE OR IN PART, WITHOUT THE EXPRESS WRITTEN CONSENT OF VERSA STEEL, INC.

G		F		E		D		C		B		A		REV	ISSUED FOR	DATE	BY
VERSA STEEL, INC. 1618 NE FIRST AVENUE PORTLAND, OREGON 97232 (503)287-9822 FAX (503)-287-7483																	
DRAWN BY E. BAILIFF																	
DATE 2010-9-25																	
CHECKED BY																	
APPROVED BY																	
MATERIAL FINISH SHEET TITLE HATCH ASSEMBLY FLUSH, 36 X 48 PART NUMBER VSH-300-A-36-48-GS SUPPLIER																	
SCALE 1:12																	
DRAWING NO. VSH-300-A-36-48-S-NS-SPEC																	
REVISION NO. A																	
SHEET NO. 1 OF 2																	



NOTES:  
 PN: VSH-300-A-36-48-GS  
 DESC: HATCH ASSEMBLY FLUSH, 36 X 48  
 MATRL:  
 EST. WT: 48.08  
 FINISH:  
 NOTE: ERROR!:note  
 CAD FILE: VSH-300-A-36-48-S-NS-SPEC

THIS DOCUMENT CONTAINS PROPRIETARY, TRADE SECRET INFORMATION THAT IS THE PROPERTY OF VERSA STEEL, INC. THE INFORMATION CONTAINED IN THIS DOCUMENT, INCLUDING THE PRINCIPLE OF DESIGN, MAY NOT BE USED OR COPIED, IN WHOLE OR IN PART, WITHOUT THE EXPRESS PRIOR WRITTEN CONSENT OF VERSA STEEL, INC.

VERSATEL, INC.  
 1618 NE FIRST AVENUE  
 PORTLAND, OREGON 97232  
 (503)287-9822  
 FAX (503)-287-7483

DRAWN BY  
 E. BAILIFF  
 DATE  
 2010-9-25  
 CHECKED BY

APPROVED BY

MATERIAL  
 FINISH  
 SHEET TITLE  
 HATCH ASSEMBLY FLUSH, 36 X 48  
 PART NUMBER  
 VSH-300-A-36-48-GS  
 SUPPLIER  
 PART NUMBER  
 VSH-300-A-36-48-GS  
 SUPPLIER

SCALE  
 1:12  
 DRAWING NO.  
 VSH-300-A-36-48-S-NS-SPEC  
 REVISION NO.  
 A  
 SHEET NO.  
 2 OF 2

G	REV	ISSUED FOR	DATE	BY
F				
E				
D				
C				
B				
A				