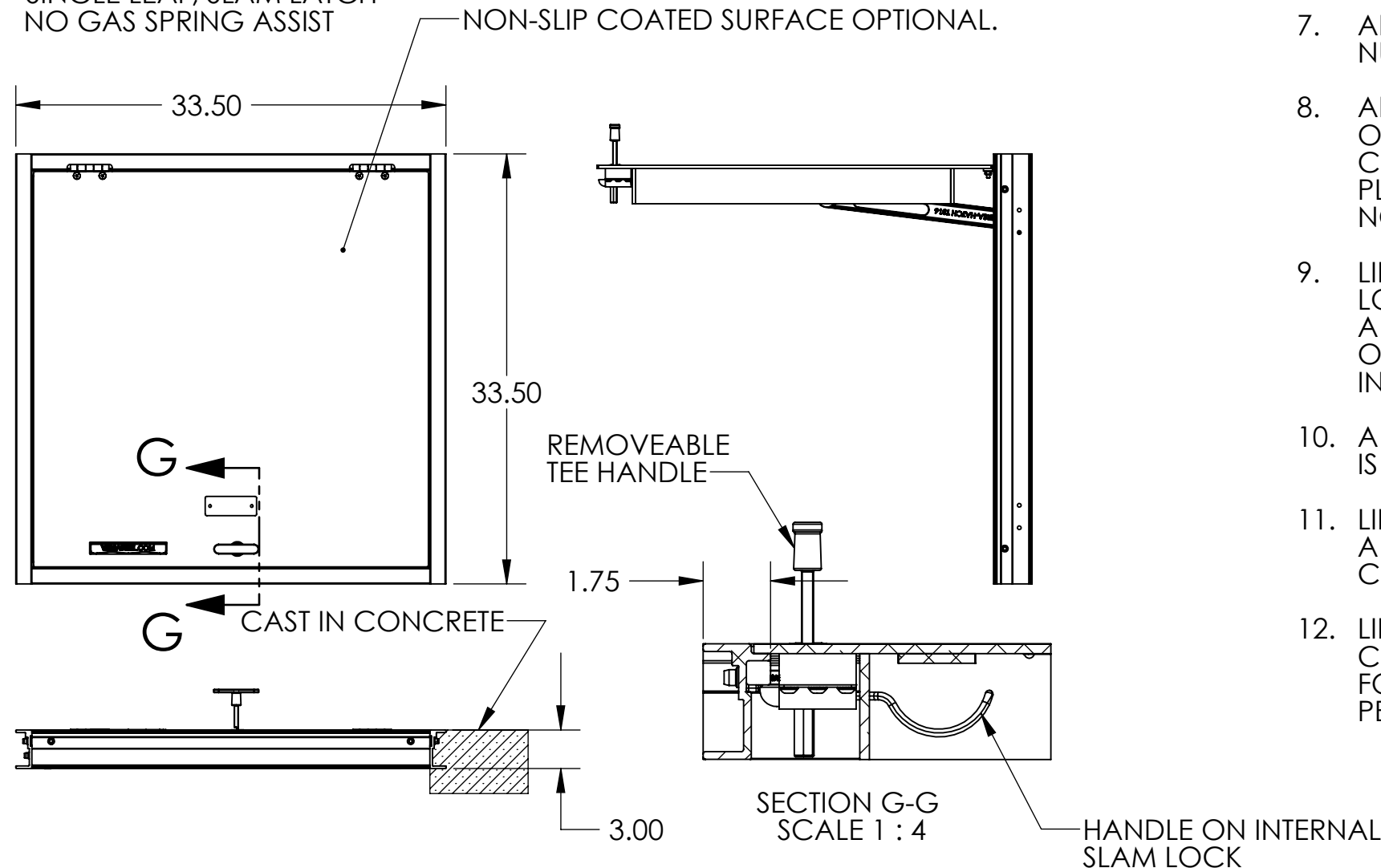


VERSA STEEL Approval Drawings

HATCH ASSEMBLY FLUSH, 30 X 30 PEDESTRIAN Assembly No.: VSH-300-A-30-30-NS

ASSEMBLY NO./PART NUMBER KEY:

VSH= VERSA STEEL INC. HATCH
 F300 = SIDWALK, STREET, FLUSH, 300 P.S.F RATED,
 A= ALUMINUM CONSTRUCTION
 24-36= SIZE INTERIOR OPENING
 S = SINGLE LEAF, SLAM LATCH
 NS= NO GAS SPRING ASSIST

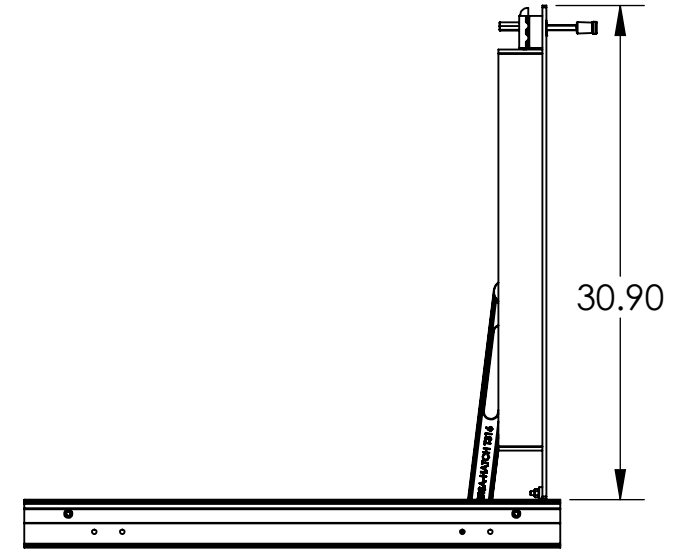
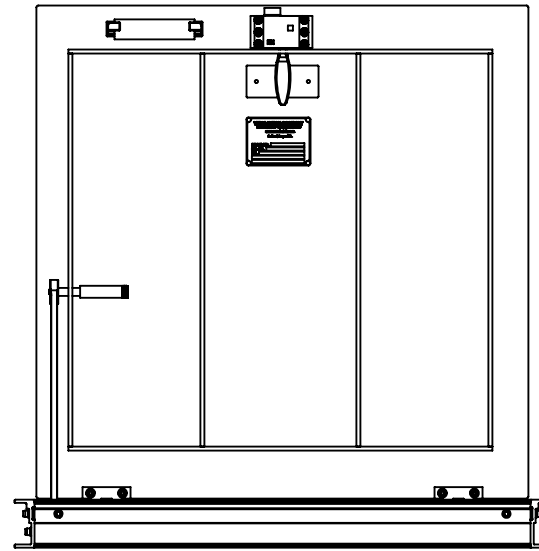
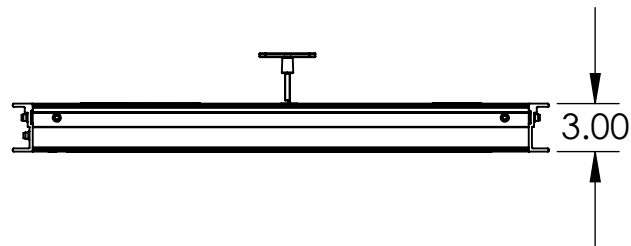
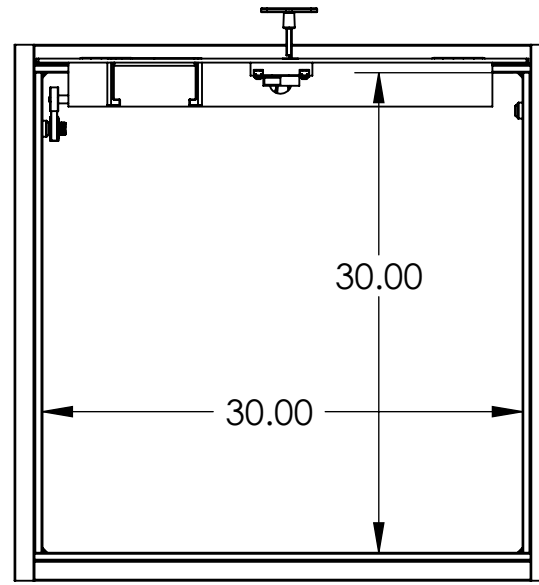
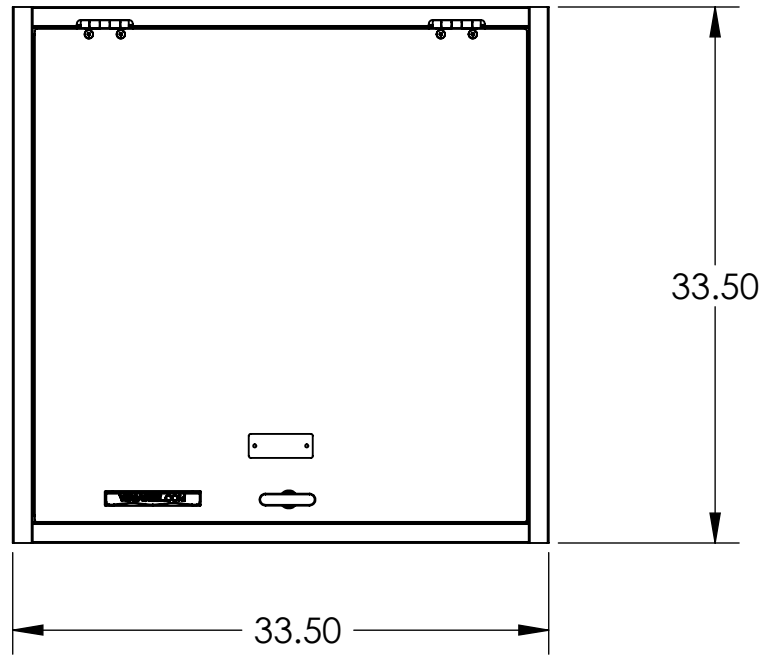


GENERAL SPECIFICATIONS:

1. ASSEMBLY NUMBER F300 HATCH ASSEMBLY MANUFACTURED BY VERSA STEEL INC., PORTLAND, OR., 800-678-0814
2. MATERIAL IS 6061-T6 ALUMINUM FOR BARS, AND EXTRUSIONS. 1/4" TREAD PLATE IS 5086.
3. UNIT IS DESIGNED FOR 300 P.S.F LOADS.
4. UNIT IS DESIGNED TO BE CAST INTO CONCRETE FLOOR OR CURBING. CONCRETE MUST SUPPORT THE F300 RATING FOR PROPER INSTALLATION OF HATCH.
5. FRAME IS CONTINUOUS EXTRUDED CHANNEL 1-5/8" WIDE WITH LEGS TO LOCK INTO CONCRETE FOR THE COMPLETE PERIMETER OF FRAME. EACH CORNER HAS A CORNER REINFORCEMENT CLIP BOLTED IN PLACE.
6. HINGES ARE HEAVY DUTY DESIGN, MATERIAL IS 316 STAINLESS STEEL.
7. ALL FASTENERS ARE GRADE 316 STAINLESS STEEL, NUTS ARE SELF LOCKING NYLON INSERT TYPE.
8. ALL ALUMINUM IS MILL FINISH WITH THE EXTERIOR OF FRAME THAT CONTACT CONCRETE HAS A COAT OF BLACK BITUMINOUS PAINT. THE TREAD PLATE SURFACE IN SAND BLAST ETCHED FOR NON-SLIP SURFACE IN ADDITION TO TREAD.
9. LID IS SUPPLIED WITH A STAINLESS STEEL SLAM LOCK WITH A THREADED O-RING CLOSURE AND A TEE HANDLE TO REMOVE CLOSURE AND OPERATE THE SLAM LOCK. SLAM LOCK HAS INTERNAL HANDLE FOR ACCESS INTERNALLY.
10. A STAINLESS STEEL LIFT HANDLE IS SUPPLIED AND IS FLUSH WITH TOP OF LID WHEN NOT IN USE.
11. LID IS HELD OPEN IN A 90 DEGREE POSITION WITH A LOCK OPEN ARM, MANUALLY RELEASED TO CLOSE HATCH.
12. LID SURFACE IS AN APPROVED SAFETY COATINGS NON-SLIP SURFACE, PLATE TREATED FOR COEFFICIENT OF FRICTION MINIMUM OF .8 PER UTILITY ACCESS DOOR SPECIFICATION.

THIS DOCUMENT CONTAINS PROPRIETARY, TRADE SECRET, INFORMATION THAT IS THE PROPERTY OF VERSA STEEL, INC. THE INFORMATION CONTAINED IN THIS DOCUMENT, INCLUDING THE PRINCIPLE OF DESIGN, MAY NOT BE USED OR COPIED, IN WHOLE OR IN PART, WITHOUT THE EXPRESS WRITTEN CONSENT OF VERSA STEEL, INC.

VERSASHEET		DATE		BY	
G	F	E	D	C	B
VERSASHEET, INC.		DATE		BY	
1618 NE FIRST AVENUE		2010-9-25		E. BAILIFF	
PORTLAND, OREGON 97232		CHECKED BY		APPROVED BY	
(503)287-9822		APPROVED BY		PART NUMBER: VSH-300-A-30-30-NS	
FAX (503)-287-7483		APPROVED BY		HATCH ASSEMBLY FLUSH, 30 X 30	
MATERIAL		SHEET TITLE		PART NUMBER: VSH-300-A-30-30-NS	
FINISH		HATCH ASSEMBLY FLUSH, 30 X 30		PART NUMBER: VSH-300-A-30-30-NS	
SHEET NO.		PART NUMBER		SUPPLIER	
1		VSH-300-A-30-30-NS		SCALE	
OF 2		REVISION NO.		1:12	
		A		DRAWING NO.	
				VSH-300-A-30-30-S-NS-SPEC	
				REVISION NO.	
				A	
				SHEET NO.	
				1	
				OF 2	



NOTES:
 PN: VSH-300-A-30-30-NS
 DESC: HATCH ASSEMBLY FLUSH, 30 X 30
 MATRL:
 EST. WT: 48.08
 FINISH:
 NOTE: ERROR!:note
 CAD FILE: VSH-300-A-30-30-S-NS-SPEC

THIS DOCUMENT CONTAINS PROPRIETARY, TRADE SECRET INFORMATION THAT IS THE PROPERTY OF VERSA STEEL, INC. THE INFORMATION CONTAINED IN THIS DOCUMENT, INCLUDING THE PRINCIPLE OF DESIGN, MAY NOT BE USED OR COPIED, IN WHOLE OR IN PART, WITHOUT THE EXPRESS PRIOR WRITTEN CONSENT OF VERSA STEEL, INC.

MATERIAL	VERSAS
FINISH	VERSAS
SHEET TITLE	HATCH ASSEMBLY FLUSH, 30 X 30
PART NUMBER	VSH-300-A-30-30-NS
SUPPLIER	VERSAS
SCALE	1:12
DRAWING NO.	VSH-300-A-30-30-S-NS-SPEC
REVISION NO.	A
SHEET NO.	2 OF 2
DRAWN BY	E. BAILIFF
DATE	2010-9-25
CHECKED BY	
APPROVED BY	
VERSA STEEL, INC. 1618 NE FIRST AVENUE PORTLAND, OREGON 97232 (503)287-9822 FAX (503)-287-7483	
REV	ISSUED FOR
G	
F	
E	
D	
C	
B	
A	
REV	ISSUED FOR
DATE	
BY	