

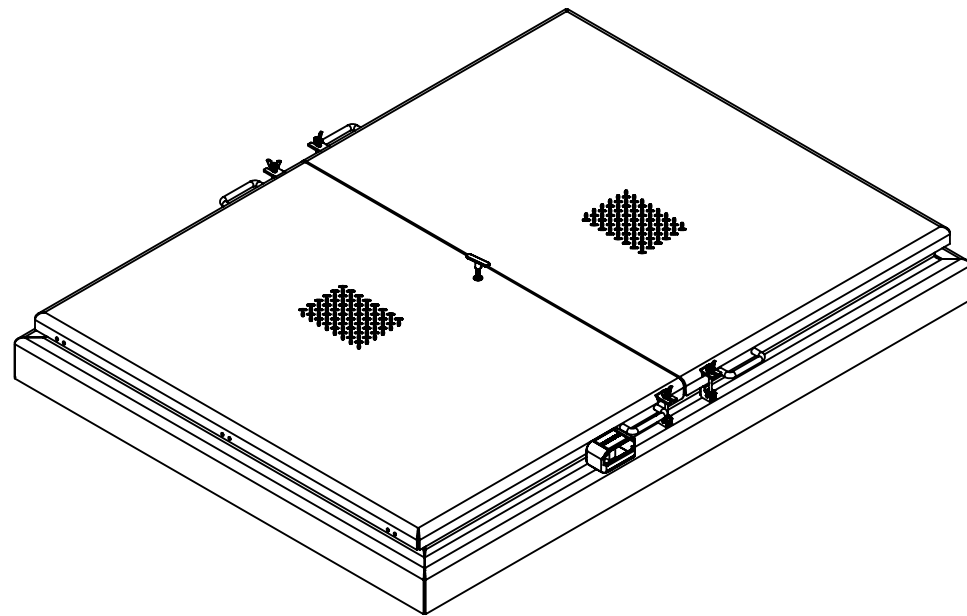
VERSA STEEL Approval Drawings

WATER RESERVOIR SECURITY HATCH, DUAL LEAF 84 X 60

Assembly No.: VSH-200-A-84-60-DT-GS

ASSEMBLY NO./PART NUMBER KEY:

VSH= VERSA STEEL INC. HATCH
 200 = 200 P.S.F. RATED
 A= ALUMINUM CONSTRUCTION
 60-48= SIZE INTERIOR OPENING
 DT = DUAL LEAF TEE FRAME SERIES
 GS= GAS SPRING

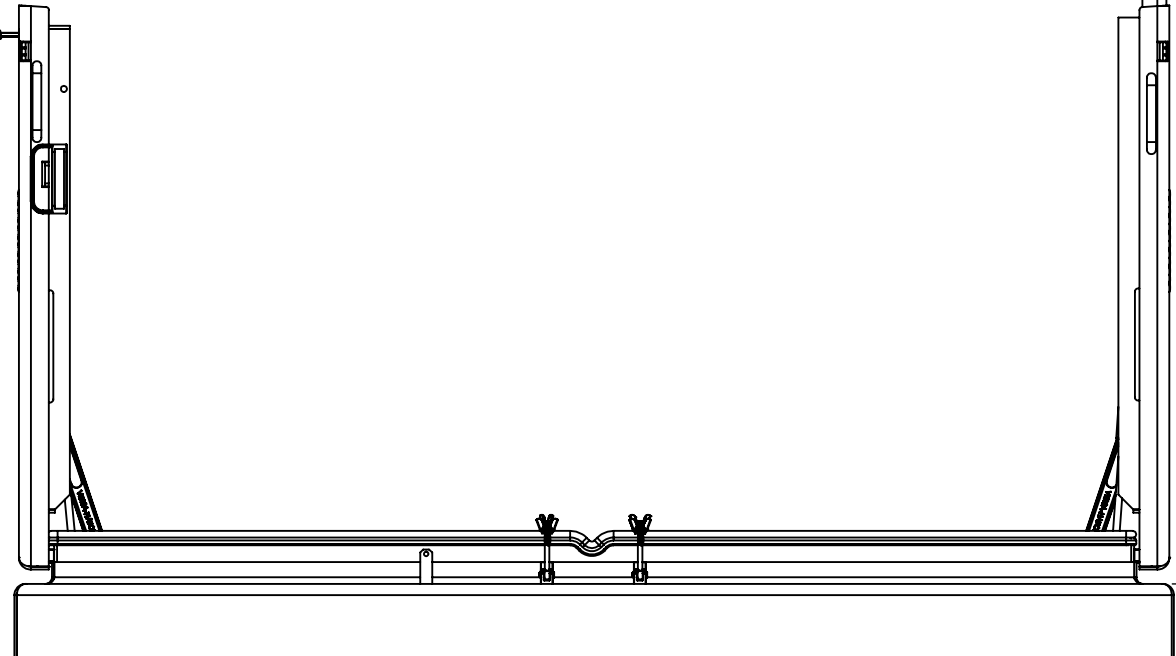
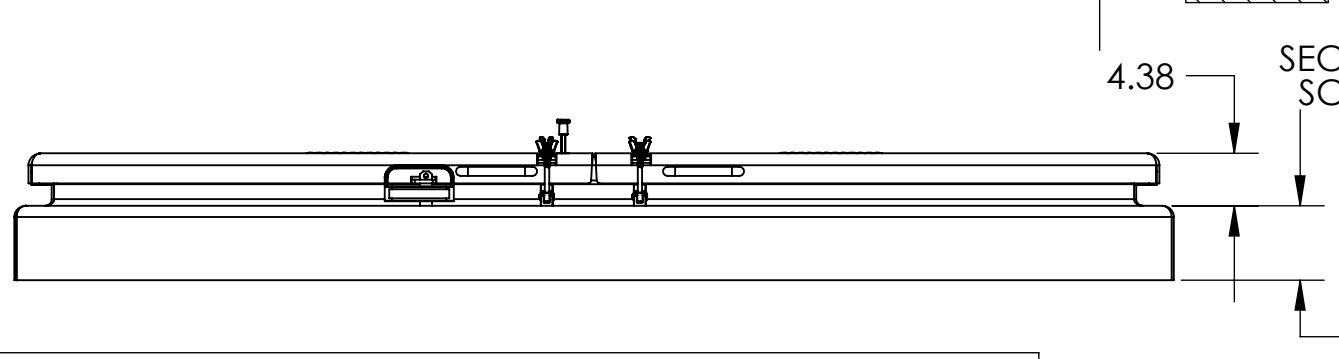
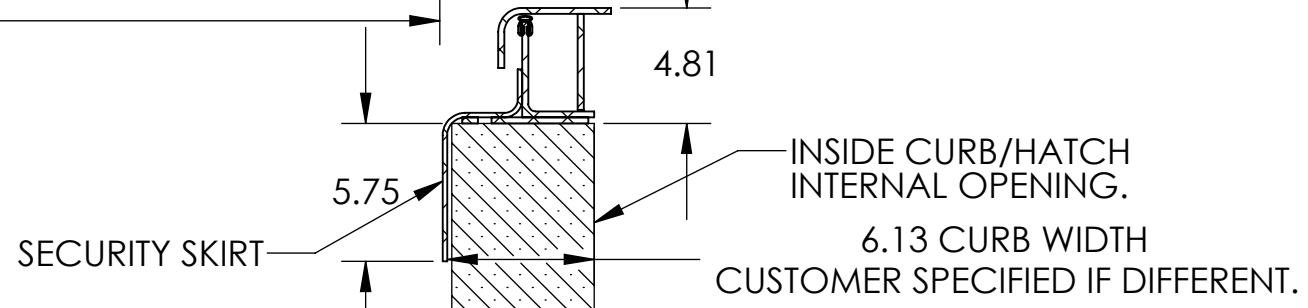
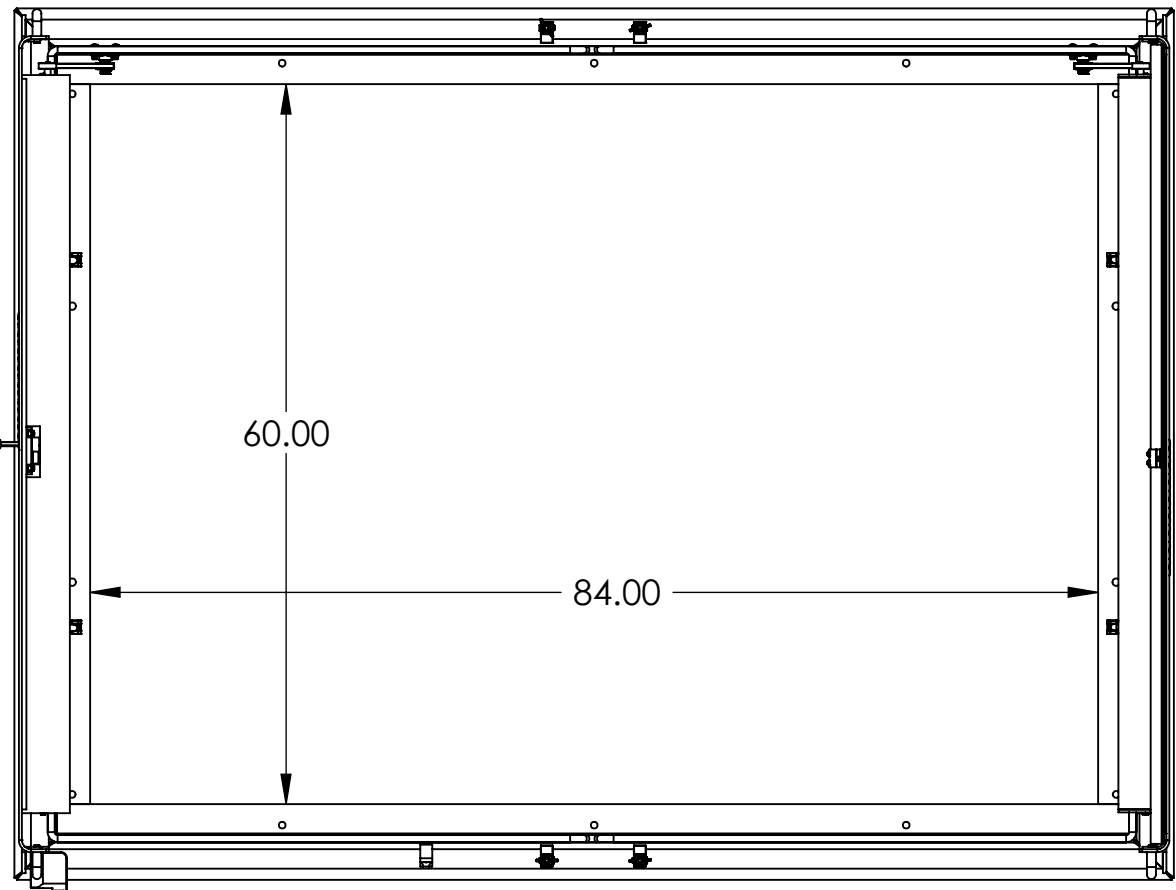
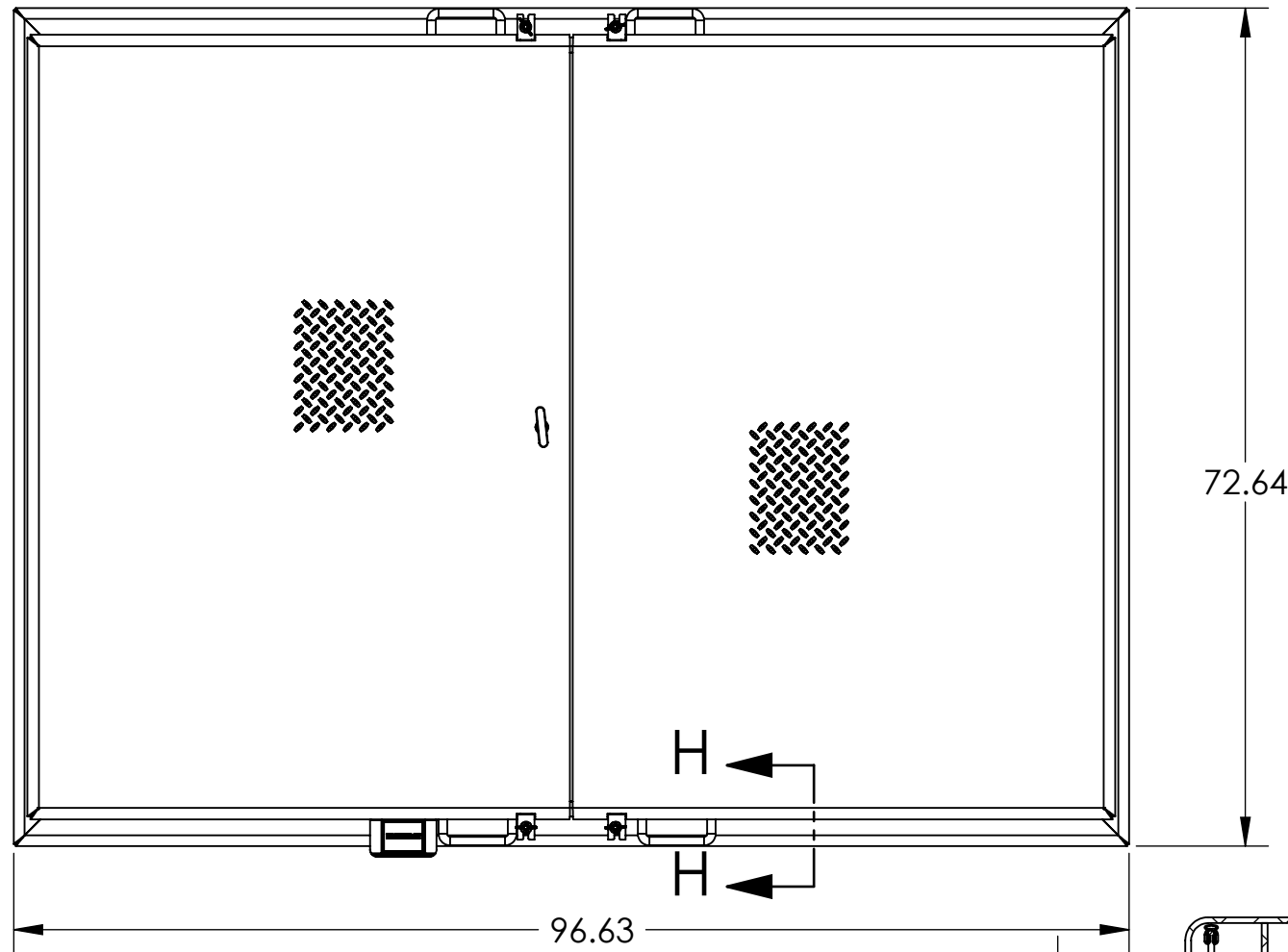


GENERAL SPECIFICATIONS:

1. UNIT IS WEATHER PROOF WITH CONTINUOUS BULB SEAL ON LID TO FRAME AND 1/4" X 5-1/4" WIDE FRAME TO CURB SEALS.
2. LID OVER LAPS FRAME A MINIMUM OF 2 INCHES.
3. FRAME IS A MINIMUM OF 4" ABOVE THE CURB. SECURITY CURB SKIRTING DESIGNED TO COVER 6" WIDE CURB AND TO EXTEND DOWNWARD OVER THE CURB 6". SKIRTING CAN BE MADE TO CUSTOMER NEEDS.
4. LID IS HINGED ON SIDE WITH TAMPER PROOF SCREWS AND PROVISION FOR A PADLOCK WITH TAMPER PROOF COVER. THERE ARE A MINIMUM OF FOUR SWING BOLT HOLD DOWNS TO SECURE THE HATCH FOR WEATHER PROOF SEAL.
5. HATCH IS DESIGNED FOR 200 P.S.F. LOAD.
6. THERE ARE 8 INTERIOR ATTACHMENT POINTS FOR SECURITY USING 1/2" FASTENER. THERE IS A FULL FACE GASKET OF 5-1/4" WIDE CLOSED CELL FOAM EPDM BETWEEN FRAME AND CURB.
7. LID IS A 1/4" 5086 ALUMINUM TREAD PLATE.
8. ALL FASTENERS AND HARDWARE ARE 316 STAINLESS STEEL.
9. ONE COAT OF BLACK BITUMINOUS PAINT ON THE INSIDE OF FRAME WHERE IT CONTACTS CURBING CONCRETE.

THIS DOCUMENT CONTAINS PROPRIETARY, TRADE SECRET INFORMATION THAT IS THE PROPERTY OF VERSA STEEL, INC. THE INFORMATION CONTAINED IN THIS DOCUMENT, INCLUDING THE PRINCIPLE OF DESIGN, MAY NOT BE USED OR COPIED, IN WHOLE OR IN PART, WITHOUT THE EXPRESS PRIOR WRITTEN CONSENT OF VERSA STEEL, INC.

VERSA STEEL, INC. 1618 NE FIRST AVENUE PORTLAND, OREGON 97232 (503)287-9822 FAX (503)-287-7483		DATE	ISSUED FOR	BY
DRAWN BY E. BAILIFF		DATE 2009-08-13	REV	BY
DATE 2009-08-13		CHECKED BY	A	
APPROVED BY			B	
MATERIAL			C	
FINISH			D	
SHEET TITLE WATER RESERVOIR SECURITY HATCH, DUAL LEAF 84 X 60			E	
PART NUMBER VSH-200-A-84-60-DT-GS			F	
SUPPLIER			G	
SCALE 1:24				
DRAWING NO. VSH-200-A-84-60-DT-GS-SPE				
REVISION NO. A				
SHEET NO. 1 OF 2				



NOTES:
 PN: VSH-200-A-84-60-DT-GS
 DESC: WATER RESERVOIR SECURITY HATCH, DUAL LEAF 84 X 60
 MATRL:
 EST. WT: 412.43
 FINISH:
 NOTE: ERROR!:note
 CAD FILE: VSH-200-A-84-60-DT-GS-SPEC

THIS DOCUMENT CONTAINS PROPRIETARY, TRADE SECRET, INFORMATION THAT IS THE PROPERTY OF VERSA STEEL, INC. THE INFORMATION CONTAINED IN THIS DOCUMENT, INCLUDING THE PRINCIPLE OF DESIGN, MAY NOT BE USED OR COPIED, IN WHOLE OR IN PART, WITHOUT THE EXPRESS PRIOR WRITTEN CONSENT OF VERSA STEEL, INC.

VERSA STEEL, INC.
 1618 NE FIRST AVENUE
 PORTLAND, OREGON 97232
 (503)287-9822
 FAX (503)-287-7483

DRAWN BY
 E.BAILIFF
 DATE
 2009-08-13
 CHECKED BY

APPROVED BY

MATERIAL
 FINISH
 SHEET TITLE
 WATER RESERVOIR SECURITY HATCH, DUAL LEAF 84 X 60
 PART NUMBER
 VSH-200-A-84-60-DT-GS
 SUPPLIER
 PART NUMBER: VSH-200-A-84-60-DT-GS

SCALE
 1:16
 DRAWING NO.
 VSH-200-A-84-60-DT-GS-SPE
 REVISION NO.
 A
 SHEET NO.
 2 OF 2

REV	ISSUED FOR	DATE	BY
G			
F			
E			
D			
C			
B			
A			