

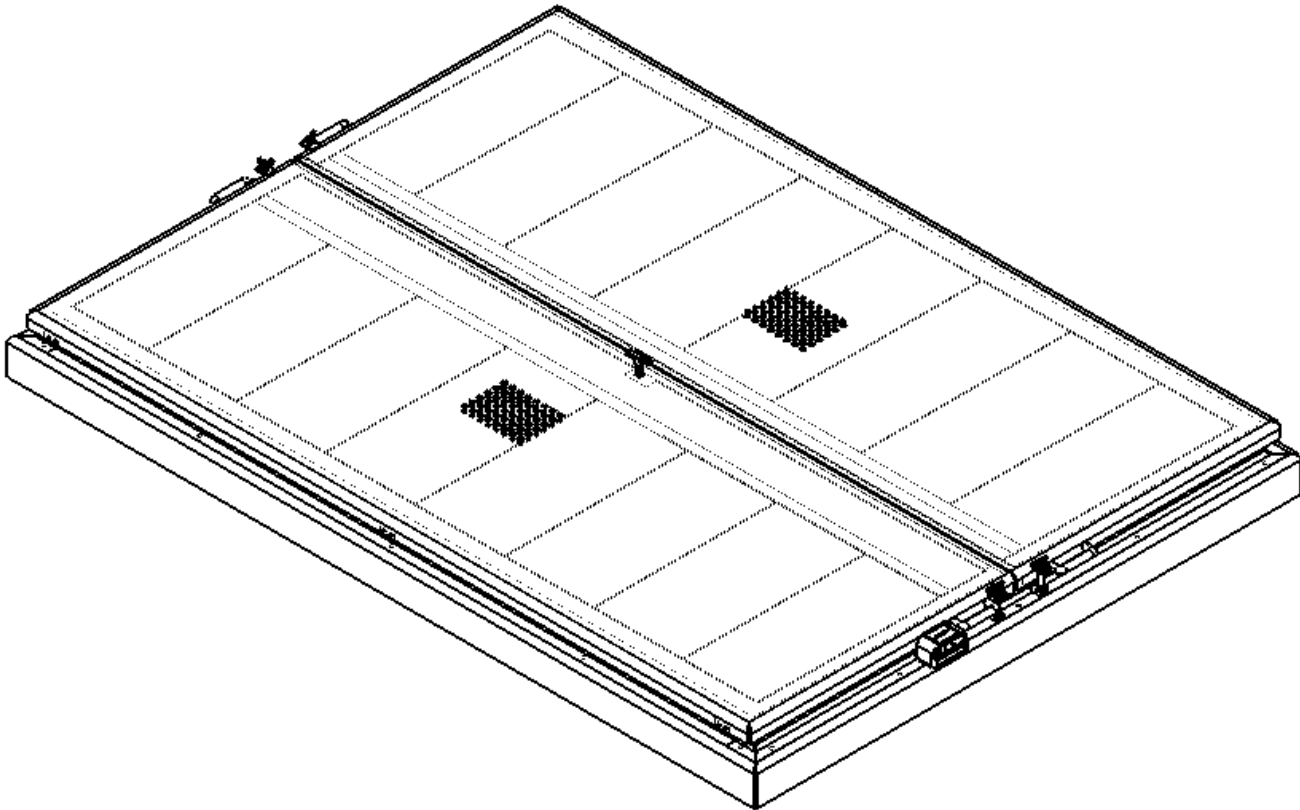
VERSA STEEL Approval Drawings

WATER RESERVOIR SECURITY HATCH, DUAL LEAF 84 X 120

Assembly No.: VSH-200-A-84-120-DT-GS

ASSEMBLY NO./PART NUMBER KEY:

- VSH= VERSA STEEL INC. HATCH
- 200 = 200 P.S.F. RATED
- A= ALUMINUM CONSTRUCTION
- 60-48= SIZE INTERIOR OPENING
- DT = DUAL LEAF TEE FRAME SERIES
- GS= GAS SPRING

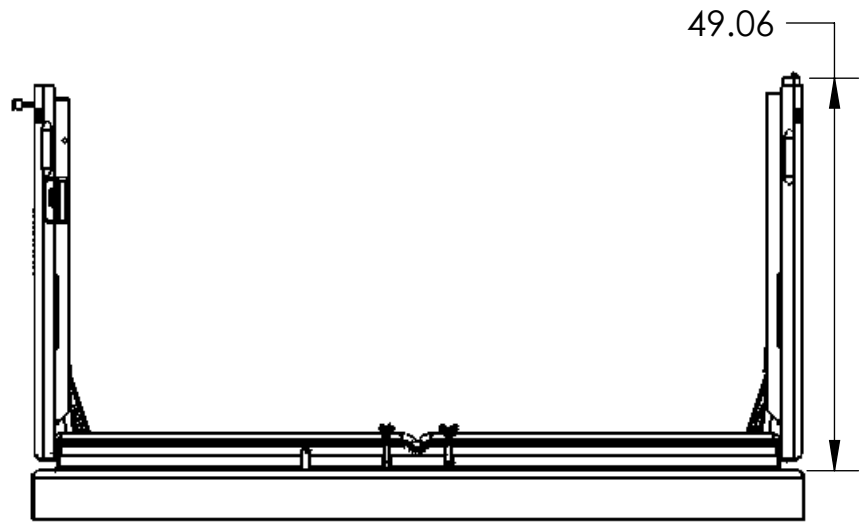
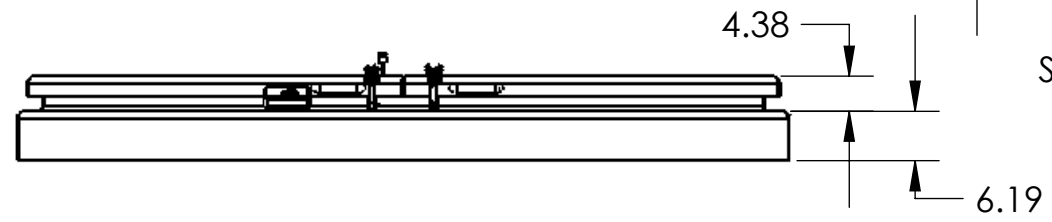
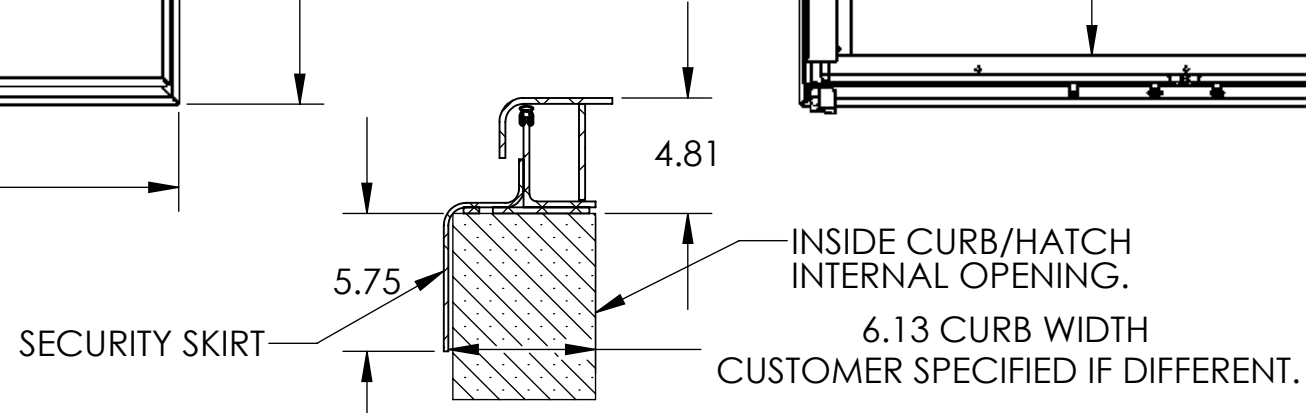
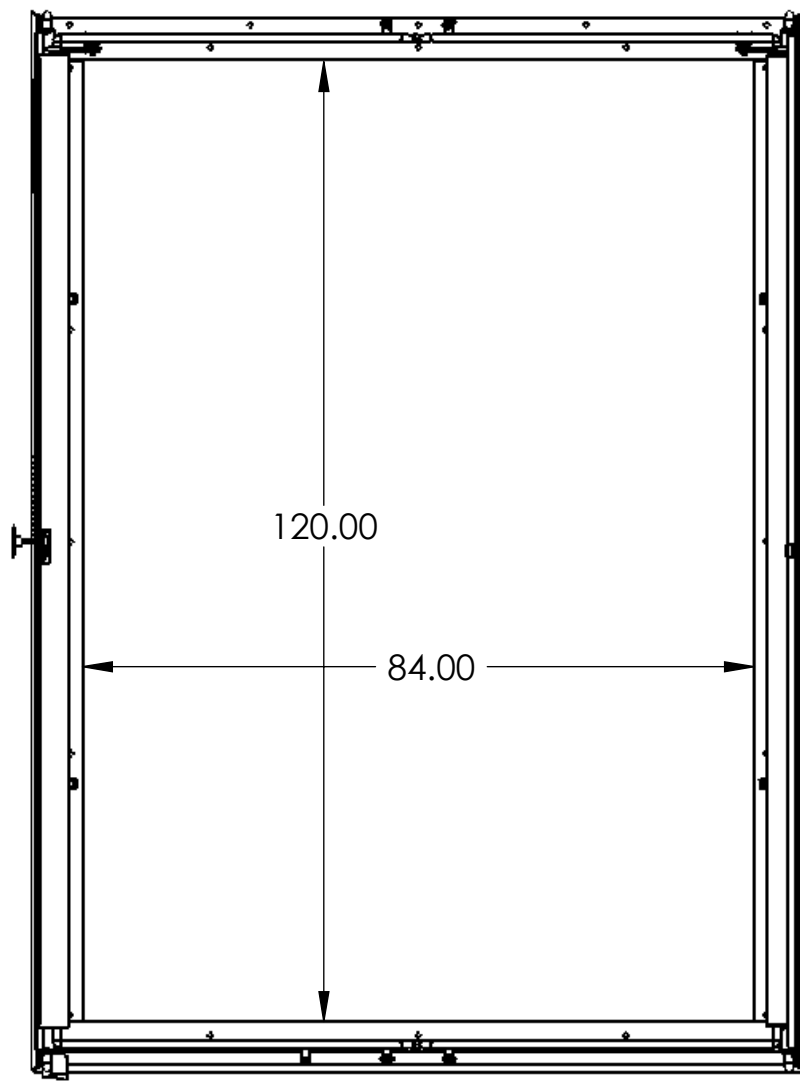
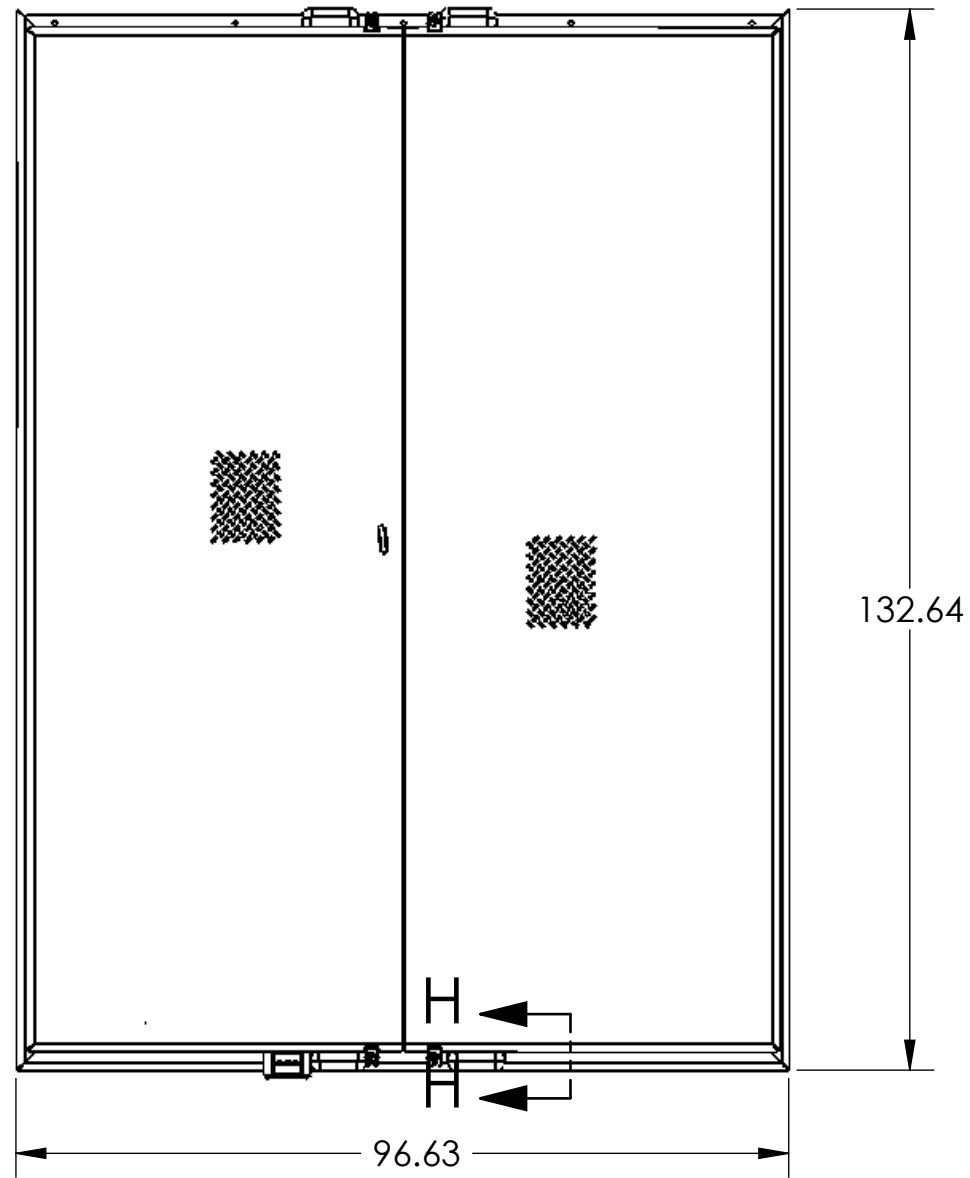


GENERAL SPECIFICATIONS:

1. UNIT IS WEATHER PROOF WITH CONTINUOUS BULB SEAL ON LID TO FRAME AND 1/4" X 5-1/4" WIDE FRAME TO CURB SEALS.
2. LID OVER LAPS FRAME A MINIMUM OF 2 INCHES.
3. FRAME IS A MINIMUM OF 4" ABOVE THE CURB. SECURITY CURB SKIRTING DESIGNED TO COVER 6" WIDE CURB AND TO EXTEND DOWNWARD OVER THE CURB 6". SKIRTING CAN BE MADE TO CUSTOMER NEEDS.
4. LID IS HINGED ON SIDE WITH TAMPER PROOF SCREWS AND PROVISION FOR A PADLOCK WITH TAMPER PROOF COVER. THERE ARE A MINIMUM OF FOUR SWING BOLT HOLD DOWNS TO SECURE THE HATCH FOR WEATHER PROOF SEAL.
5. HATCH IS DESIGNED FOR 200 P.S.F. LOAD.
6. THERE ARE 8 INTERIOR ATTACHMENT POINTS FOR SECURITY USING 1/2" FASTENER. THERE IS A FULL FACE GASKET OF 5-1/4" WIDE CLOSED CELL FOAM EPDM BETWEEN FRAME AND CURB.
7. LID IS A 1/4" 5086 ALUMINUM TREAD PLATE.
8. ALL FASTENERS AND HARDWARE ARE 316 STAINLESS STEEL.
9. ONE COAT OF BLACK BITUMINOUS PAINT ON THE INSIDE OF FRAME WHERE IT CONTACTS CURBING CONCRETE.

THIS DOCUMENT CONTAINS PROPRIETARY, TRADE SECRET INFORMATION THAT IS THE PROPERTY OF VERSA STEEL, INC. THE INFORMATION CONTAINED IN THIS DOCUMENT, INCLUDING THE PRINCIPLE OF DESIGN, MAY NOT BE USED OR COPIED, IN WHOLE OR IN PART, WITHOUT THE EXPRESS PRIOR WRITTEN CONSENT OF VERSA STEEL, INC.

| | | | | | | | | | | | | | | | | | | | | | | | | | | | | | | | | | | | | | | | | | | | | | | | | | | | | | | | | | | | | | | | | | | | | | | | | | | | | | | | | | |
|---|--|------|----|--|--|--|--|--|--|--|--|---|--|--|--|--|--|--|--|--|--|---|--|--|--|--|--|--|--|--|--|---|--|--|--|--|--|--|--|--|--|---|--|--|--|--|--|--|--|--|--|---|--|--|--|--|--|--|--|--|--|---|--|--|--|--|--|--|--|--|--|-----|------------|------|----|--|--|--|--|--|--|
| <p>VERSA STEEL, INC. 1618 NE FIRST AVENUE PORTLAND, OREGON 97232 (503)287-9822 FAX (503)-287-7483</p> | <table border="1" style="width: 100%; border-collapse: collapse;"> <tr> <td style="width: 5%;">G</td> <td style="width: 15%;"></td> <td style="width: 10%;"></td> <td style="width: 10%;"></td> <td style="width: 10%;"></td> <td style="width: 10%;"></td> <td style="width: 10%;"></td> <td style="width: 10%;"></td> <td style="width: 10%;"></td> <td style="width: 10%;"></td> </tr> <tr> <td>F</td> <td></td> <td></td> <td></td> <td></td> <td></td> <td></td> <td></td> <td></td> <td></td> </tr> <tr> <td>E</td> <td></td> <td></td> <td></td> <td></td> <td></td> <td></td> <td></td> <td></td> <td></td> </tr> <tr> <td>D</td> <td></td> <td></td> <td></td> <td></td> <td></td> <td></td> <td></td> <td></td> <td></td> </tr> <tr> <td>C</td> <td></td> <td></td> <td></td> <td></td> <td></td> <td></td> <td></td> <td></td> <td></td> </tr> <tr> <td>B</td> <td></td> <td></td> <td></td> <td></td> <td></td> <td></td> <td></td> <td></td> <td></td> </tr> <tr> <td>A</td> <td></td> <td></td> <td></td> <td></td> <td></td> <td></td> <td></td> <td></td> <td></td> </tr> <tr> <td>REV</td> <td>ISSUED FOR</td> <td>DATE</td> <td colspan="7">BY</td> </tr> </table> | G | | | | | | | | | | F | | | | | | | | | | E | | | | | | | | | | D | | | | | | | | | | C | | | | | | | | | | B | | | | | | | | | | A | | | | | | | | | | REV | ISSUED FOR | DATE | BY | | | | | | |
| G | | | | | | | | | | | | | | | | | | | | | | | | | | | | | | | | | | | | | | | | | | | | | | | | | | | | | | | | | | | | | | | | | | | | | | | | | | | | | | | | | |
| F | | | | | | | | | | | | | | | | | | | | | | | | | | | | | | | | | | | | | | | | | | | | | | | | | | | | | | | | | | | | | | | | | | | | | | | | | | | | | | | | | |
| E | | | | | | | | | | | | | | | | | | | | | | | | | | | | | | | | | | | | | | | | | | | | | | | | | | | | | | | | | | | | | | | | | | | | | | | | | | | | | | | | | |
| D | | | | | | | | | | | | | | | | | | | | | | | | | | | | | | | | | | | | | | | | | | | | | | | | | | | | | | | | | | | | | | | | | | | | | | | | | | | | | | | | | |
| C | | | | | | | | | | | | | | | | | | | | | | | | | | | | | | | | | | | | | | | | | | | | | | | | | | | | | | | | | | | | | | | | | | | | | | | | | | | | | | | | | |
| B | | | | | | | | | | | | | | | | | | | | | | | | | | | | | | | | | | | | | | | | | | | | | | | | | | | | | | | | | | | | | | | | | | | | | | | | | | | | | | | | | |
| A | | | | | | | | | | | | | | | | | | | | | | | | | | | | | | | | | | | | | | | | | | | | | | | | | | | | | | | | | | | | | | | | | | | | | | | | | | | | | | | | | |
| REV | ISSUED FOR | DATE | BY | | | | | | | | | | | | | | | | | | | | | | | | | | | | | | | | | | | | | | | | | | | | | | | | | | | | | | | | | | | | | | | | | | | | | | | | | | | | | | |
| <p>DRAWN BY E. BAILIFF</p> | | | | | | | | | | | | | | | | | | | | | | | | | | | | | | | | | | | | | | | | | | | | | | | | | | | | | | | | | | | | | | | | | | | | | | | | | | | | | | | | | |
| <p>DATE 2009-08-13</p> | | | | | | | | | | | | | | | | | | | | | | | | | | | | | | | | | | | | | | | | | | | | | | | | | | | | | | | | | | | | | | | | | | | | | | | | | | | | | | | | | |
| <p>CHECKED BY</p> | | | | | | | | | | | | | | | | | | | | | | | | | | | | | | | | | | | | | | | | | | | | | | | | | | | | | | | | | | | | | | | | | | | | | | | | | | | | | | | | | |
| <p>APPROVED BY</p> | | | | | | | | | | | | | | | | | | | | | | | | | | | | | | | | | | | | | | | | | | | | | | | | | | | | | | | | | | | | | | | | | | | | | | | | | | | | | | | | | |
| <p>MATERIAL</p> | <p>FINISH</p> | | | | | | | | | | | | | | | | | | | | | | | | | | | | | | | | | | | | | | | | | | | | | | | | | | | | | | | | | | | | | | | | | | | | | | | | | | | | | | | | |
| <p>SHEET TITLE WATER RESERVOIR SECURITY HATCH, DUAL LEAF 84 X 120</p> | <p>PART NUMBER VSH-200-A-84-120-DT-GS</p> | | | | | | | | | | | | | | | | | | | | | | | | | | | | | | | | | | | | | | | | | | | | | | | | | | | | | | | | | | | | | | | | | | | | | | | | | | | | | | | | |
| <p>PART NUMBER VSH-200-A-84-120-DT-GS</p> | | | | | | | | | | | | | | | | | | | | | | | | | | | | | | | | | | | | | | | | | | | | | | | | | | | | | | | | | | | | | | | | | | | | | | | | | | | | | | | | | |
| <p>SUPPLIER</p> | | | | | | | | | | | | | | | | | | | | | | | | | | | | | | | | | | | | | | | | | | | | | | | | | | | | | | | | | | | | | | | | | | | | | | | | | | | | | | | | | |
| <p>SCALE 1:24</p> | | | | | | | | | | | | | | | | | | | | | | | | | | | | | | | | | | | | | | | | | | | | | | | | | | | | | | | | | | | | | | | | | | | | | | | | | | | | | | | | | |
| <p>DRAWING NO. VSH-200-A-84-120-DT-GS-SP</p> | | | | | | | | | | | | | | | | | | | | | | | | | | | | | | | | | | | | | | | | | | | | | | | | | | | | | | | | | | | | | | | | | | | | | | | | | | | | | | | | | |
| <p>REVISION NO. A</p> | | | | | | | | | | | | | | | | | | | | | | | | | | | | | | | | | | | | | | | | | | | | | | | | | | | | | | | | | | | | | | | | | | | | | | | | | | | | | | | | | |
| <p>SHEET NO. 1 OF 2</p> | | | | | | | | | | | | | | | | | | | | | | | | | | | | | | | | | | | | | | | | | | | | | | | | | | | | | | | | | | | | | | | | | | | | | | | | | | | | | | | | | |



NOTES:
 PN: VSH-200-A-84-120-DT-GS
 DESC: WATER RESERVOIR SECURITY HATCH, DUAL LEAF 84 X 120
 MATRL:
 EST. WT: 677.36
 FINISH:
 NOTE: ERROR!:note
 CAD FILE: VSH-200-A-84-120-DT-GS-SPEC

THIS DOCUMENT CONTAINS PROPRIETARY, TRADE SECRET INFORMATION THAT IS THE PROPERTY OF VERSA STEEL, INC. THE INFORMATION CONTAINED IN THIS DOCUMENT, INCLUDING THE PRINCIPLE OF DESIGN, MAY NOT BE USED OR COPIED, IN WHOLE OR IN PART, WITHOUT THE EXPRESS PRIOR WRITTEN CONSENT OF VERSA STEEL, INC.

| | | | | | | | | | |
|-------------|--------|--|------------------------|----------|------------|-----------------------------|--------------|-----------|------------|
| MATERIAL | FINISH | SHEET TITLE | PART NUMBER | SUPPLIER | SCALE | DRAWING NO. | REVISION NO. | SHEET NO. | OF |
| | | WATER RESERVOIR SECURITY HATCH, DUAL LEAF 84 X 120 | VSH-200-A-84-120-DT-GS | | 1:24 | VSH-200-A-84-120-DT-GS-SPEC | A | 2 | 2 |
| APPROVED BY | | | DRAWN BY | | DATE | | REV | | ISSUED FOR |
| | | | E. BAILIFF | | 2009-08-13 | | A | | |
| | | | | | CHECKED BY | | B | | |
| | | | | | | | C | | |
| | | | | | | | D | | |
| | | | | | | | E | | |
| | | | | | | | F | | |
| | | | | | | | G | | |
| | | | VERSAS STEEL, INC. | | | | | | BY |
| | | | 1618 NE FIRST AVENUE | | | | | | DATE |
| | | | PORTLAND, OREGON 97232 | | | | | | |
| | | | (503)287-9822 | | | | | | |
| | | | FAX (503)-287-7483 | | | | | | |