

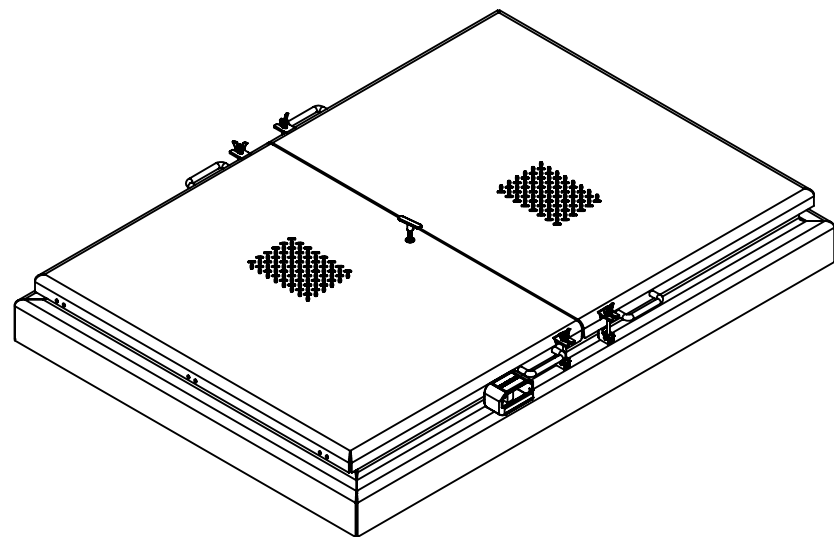
VERSA STEEL Approval Drawings

WATER RESERVOIR SECURITY HATCH, DUAL LEAF 72 X 48

Assembly No.:VSH-200-A-72-48-DT-GS

ASSEMBLY NO./PART NUMBER KEY:

VSH= VERSA STEEL INC. HATCH
 200 = 200 P.S.F. RATED
 A= ALUMINUM CONSTRUCTION
 60-48= SIZE INTERIOR OPENING
 DT = DUAL LEAF TEE FRAME SERIES
 GS= GAS SPRING

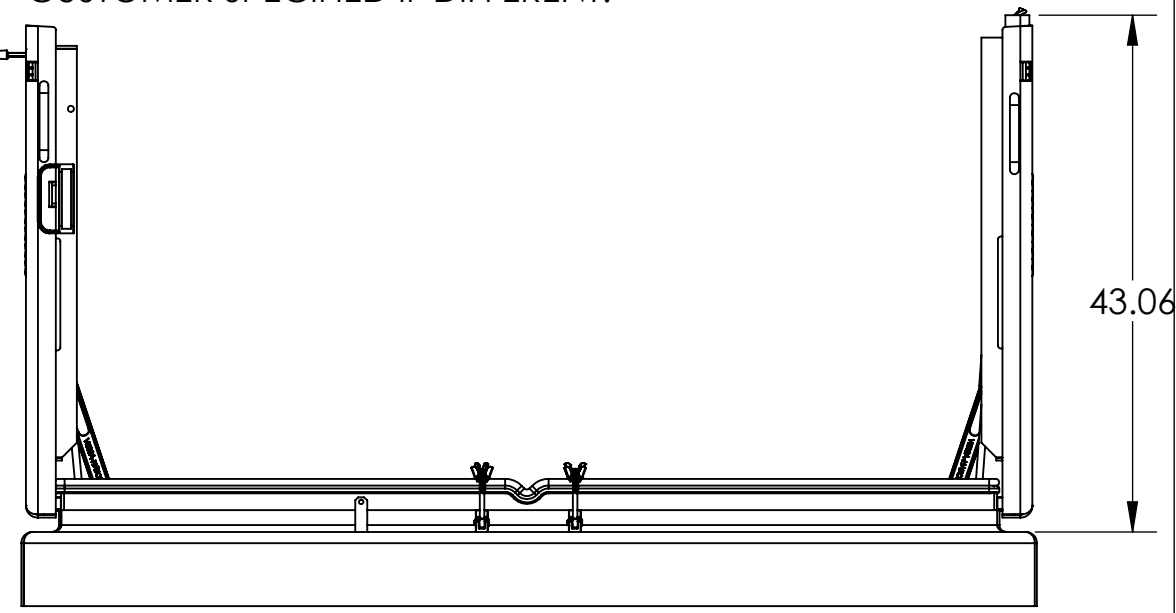
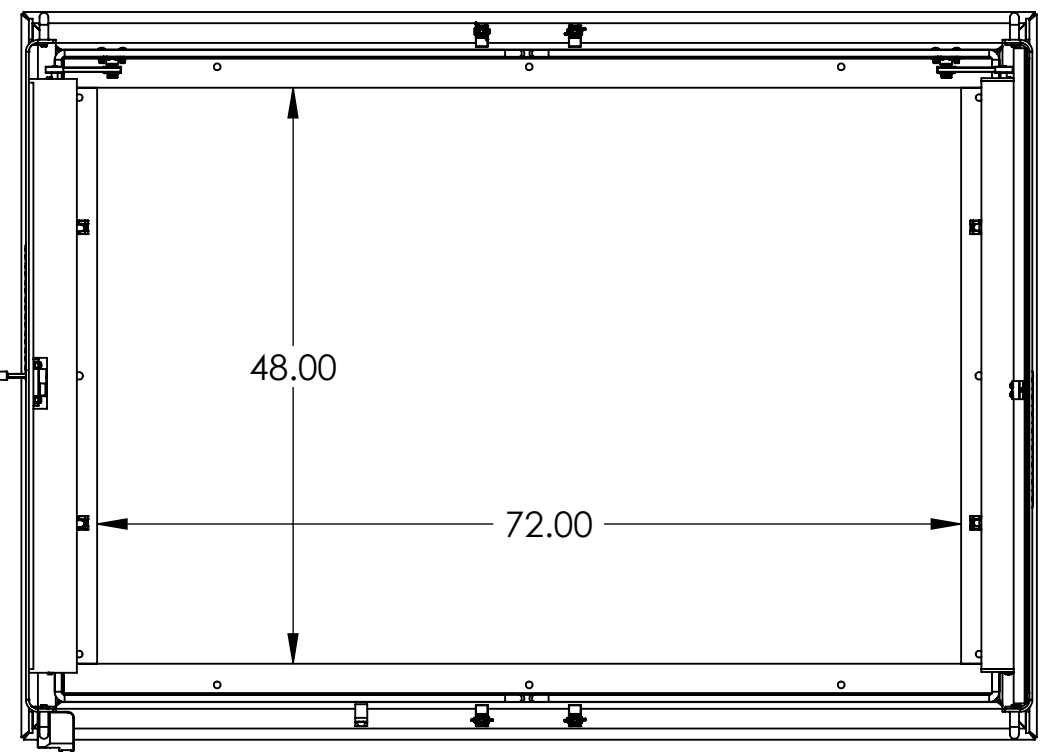
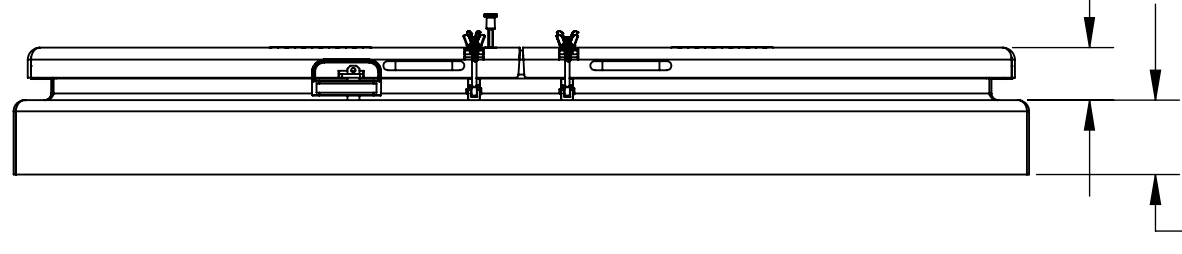
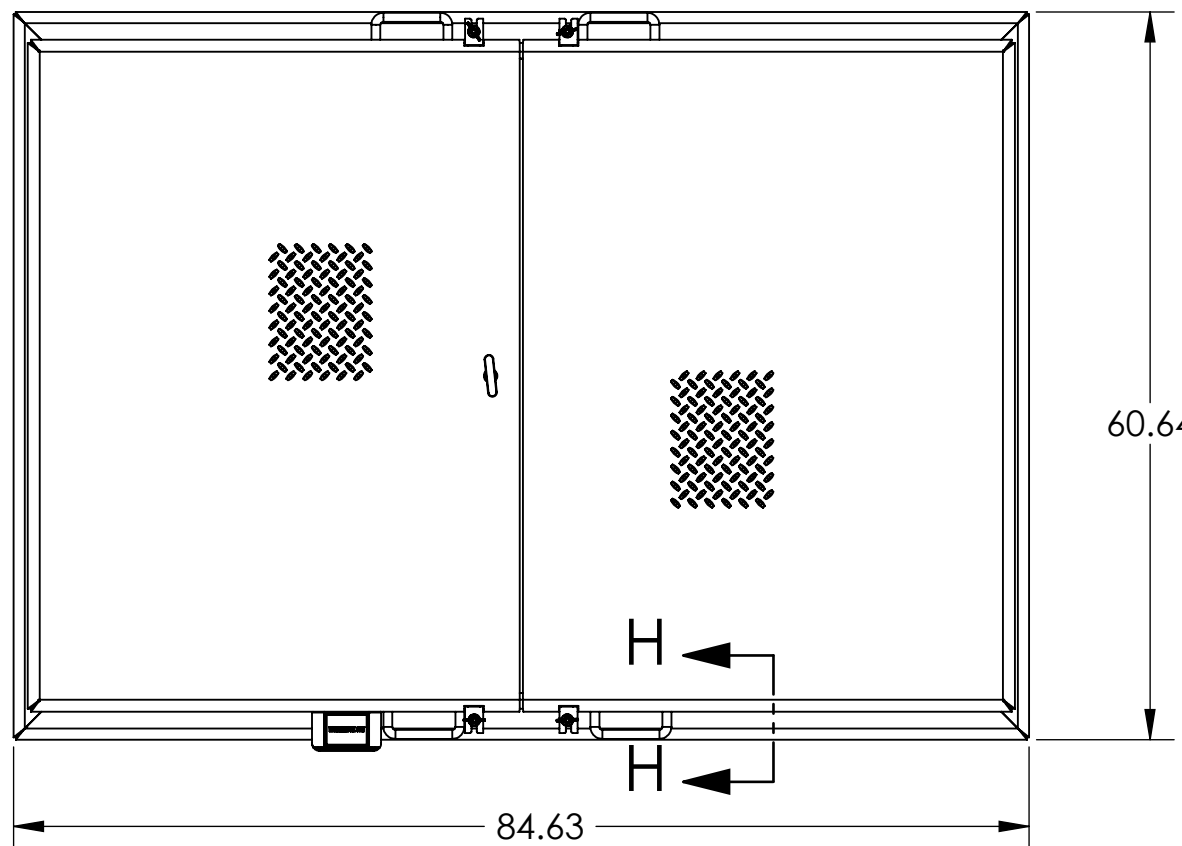


GENERAL SPECIFICATIONS:

1. UNIT IS WEATHER PROOF WITH CONTINUOUS BULB SEAL ON LID TO FRAME AND 1/4" X 5-1/4" WIDE FRAME TO CURB SEALS.
2. LID OVER LAPS FRAME A MINIMUM OF 2 INCHES.
3. FRAME IS A MINIMUM OF 4" ABOVE THE CURB. SECURITY CURB SKIRTING DESIGNED TO COVER 6" WIDE CURB AND TO EXTEND DOWNWARD OVER THE CURB 6". SKIRTING CAN BE MADE TO CUSTOMER NEEDS.
4. LID IS HINGED ON SIDE WITH TAMPER PROOF SCREWS AND PROVISION FOR A PADLOCK WITH TAMPER PROOF COVER. THERE ARE A MINIMUM OF FOUR SWING BOLT HOLD DOWNS TO SECURE THE HATCH FOR WEATHER PROOF SEAL.
5. HATCH IS DESIGNED FOR 200 P.S.F. LOAD.
6. THERE ARE 8 INTERIOR ATTACHMENT POINTS FOR SECURITY USING 1/2" FASTENER. THERE IS A FULL FACE GASKET OF 5-1/4" WIDE CLOSED CELL FOAM EPDM BETWEEN FRAME AND CURB.
7. LID IS A 1/4" 5086 ALUMINUM TREAD PLATE.
8. ALL FASTENERS AND HARDWARE ARE 316 STAINLESS STEEL.
9. ONE COAT OF BLACK BITUMINOUS PAINT ON THE INSIDE OF FRAME WHERE IT CONTACTS CURBING CONCRETE.

THIS DOCUMENT CONTAINS PROPRIETARY, TRADE SECRET INFORMATION THAT IS THE PROPERTY OF VERSA STEEL, INC. THE INFORMATION CONTAINED IN THIS DOCUMENT, INCLUDING THE PRINCIPLE OF DESIGN, MAY NOT BE USED OR COPIED, IN WHOLE OR IN PART, WITHOUT THE EXPRESS PRIOR WRITTEN CONSENT OF VERSA STEEL, INC.

DRAWN BY E. BAILIFF DATE 2009-08-13 CHECKED BY APPROVED BY MATERIAL FINISH SHEET TITLE WATER RESERVOIR SECURITY HATCH, DUAL LEAF 72 X 48 PART NUMBER VSH-200-A-72-48-DT-GS SUPPLIER SCALE 1:24 DRAWING NO. VSH-200-A-72-48-DT-GS-SPE REVISION NO. A SHEET NO. 1 OF 2	G F E D C B A REV ISSUED FOR DATE BY
--	--



SECURITY SKIRT

INSIDE CURB/HATCH
INTERNAL OPENING.
6.13 CURB WIDTH
CUSTOMER SPECIFIED IF DIFFERENT.

SECTION H-H
SCALE 1 : 8

NOTES:
 PN: VSH-200-A-72-48-DT-GS
 DESC: WATER RESERVOIR SECURITY HATCH, DUAL LEAF 72 X 48
 MATRL:
 EST. WT: 331.68
 FINISH:
 NOTE: ERROR!:note
 CAD FILE: VSH-200-A-72-48-DT-GS-SPEC

THIS DOCUMENT CONTAINS PROPRIETARY, TRADE SECRET, INFORMATION THAT IS THE PROPERTY OF VERSA STEEL, INC. THE INFORMATION CONTAINED IN THIS DOCUMENT, INCLUDING THE PRINCIPLE OF DESIGN, MAY NOT BE USED OR COPIED, IN WHOLE OR IN PART, WITHOUT THE EXPRESS PRIOR WRITTEN CONSENT OF VERSA STEEL, INC.

MATERIAL	FINISH	SHEET TITLE	PART NUMBER	SCALE	DRAWING NO.	REVISION NO.	SHEET NO.
		WATER RESERVOIR SECURITY HATCH, DUAL LEAF 72 X 48	VSH-200-A-72-48-DT-GS	1:16	VSH-200-A-72-48-DT-GS-SPEC	A	2 OF 2
APPROVED BY		DRAWN BY		DATE		REV	
		E. BAILIFF		2009-08-13		A	
CHECKED BY		DATE		ISSUED FOR		BY	
		2009-08-13					
VERSAS STEEL, INC.		1618 NE FIRST AVENUE		PORTLAND, OREGON 97232		(503)287-9822	
FAX (503)-287-7483							