

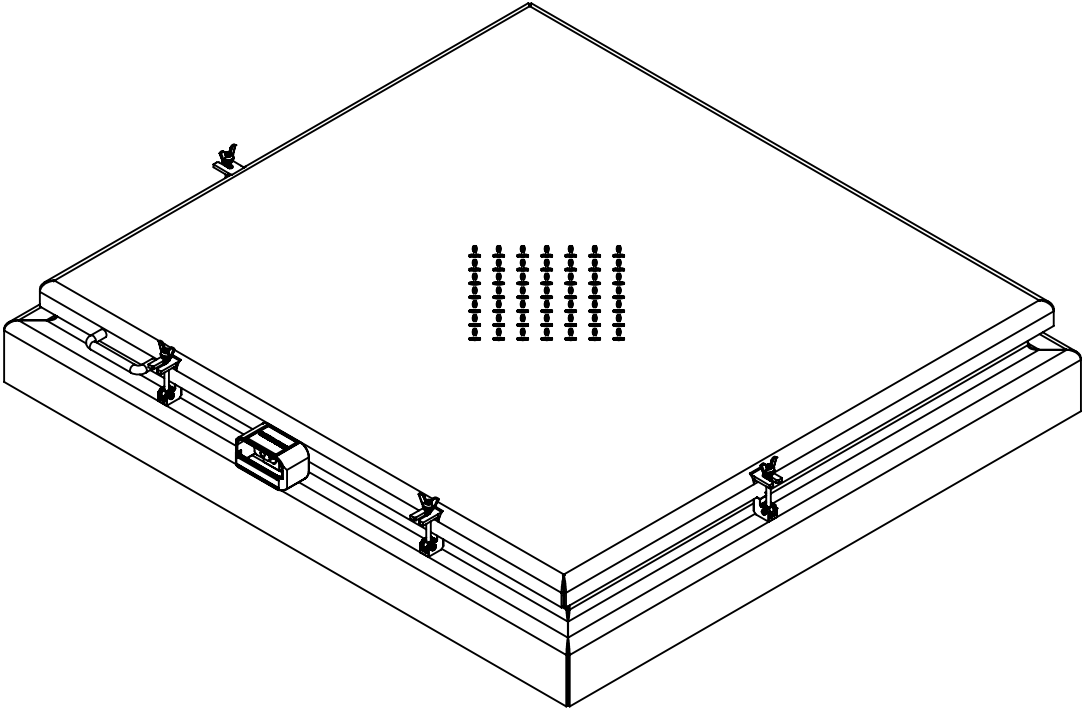
# VERSA STEEL Approval Drawings

## WATER RESERVOIR SECURITY HATCH, ST SERIES 48 X 54

Assembly No.: VSH-200-A-48-54-ST-GS

ASSEMBLY NO./PART NUMBER KEY:

- VSH= VERSA STEEL INC. HATCH
- 200 = 200 P.S.F. RATED
- A= ALUMINUM CONSTRUCTION
- 36-36= SIZE INTERIOR OPENING
- ST = SINGLE TEE FRAME SERIES
- GS= GAS SPRING

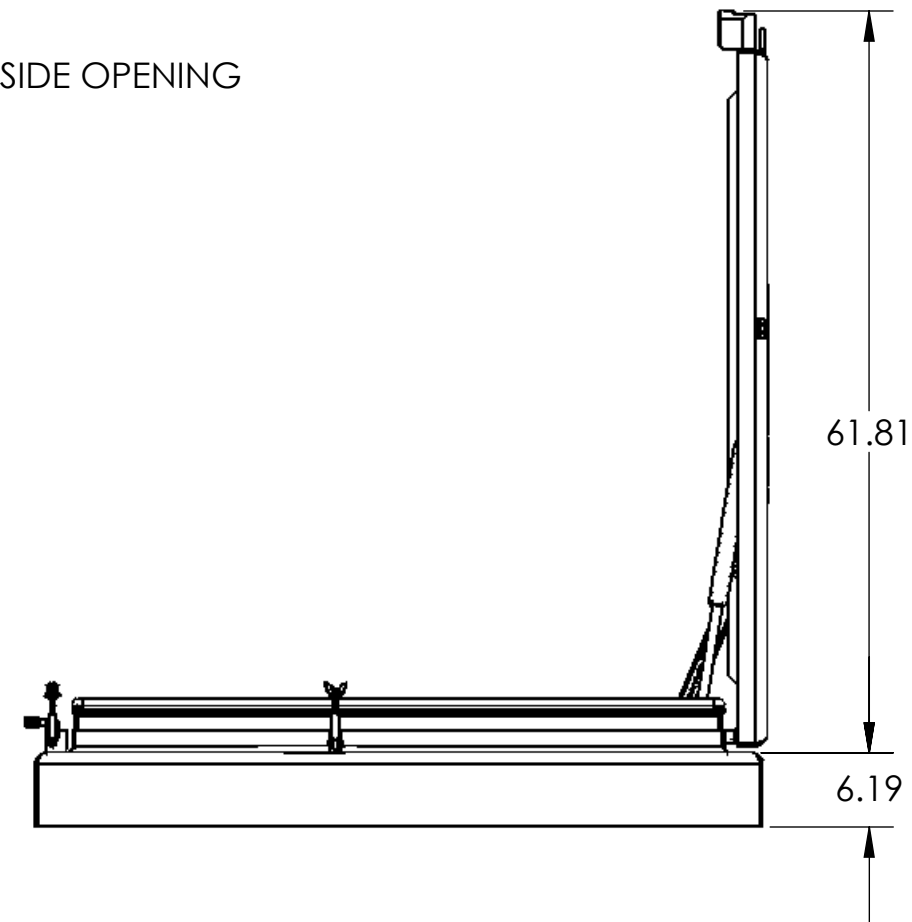
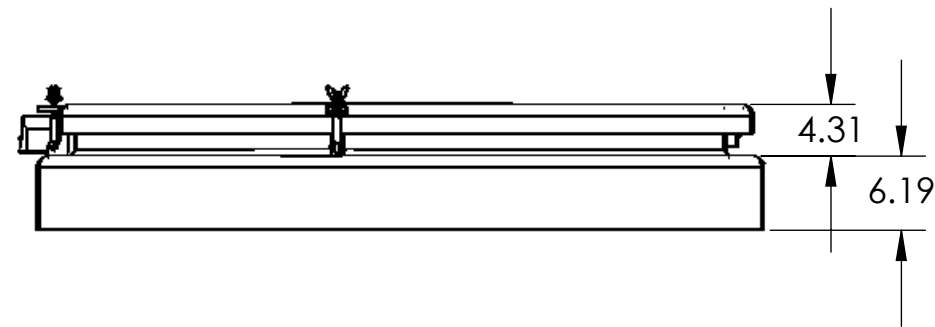
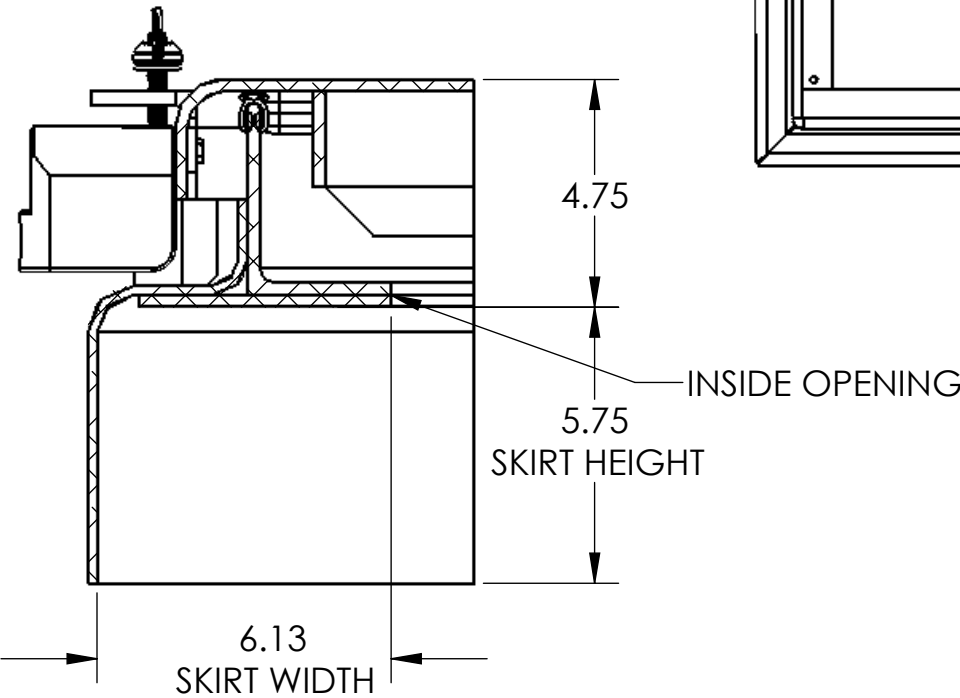
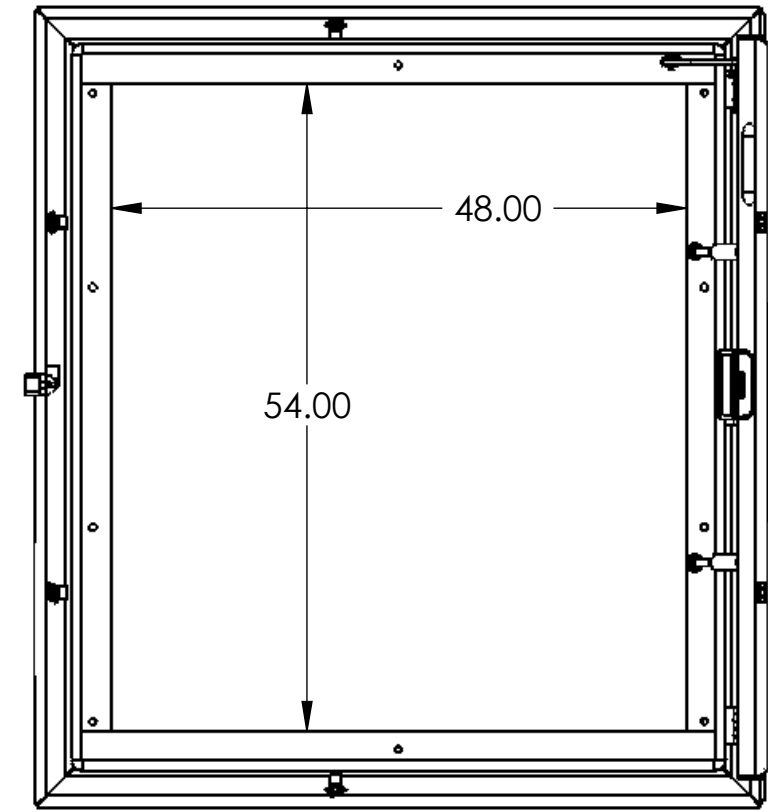
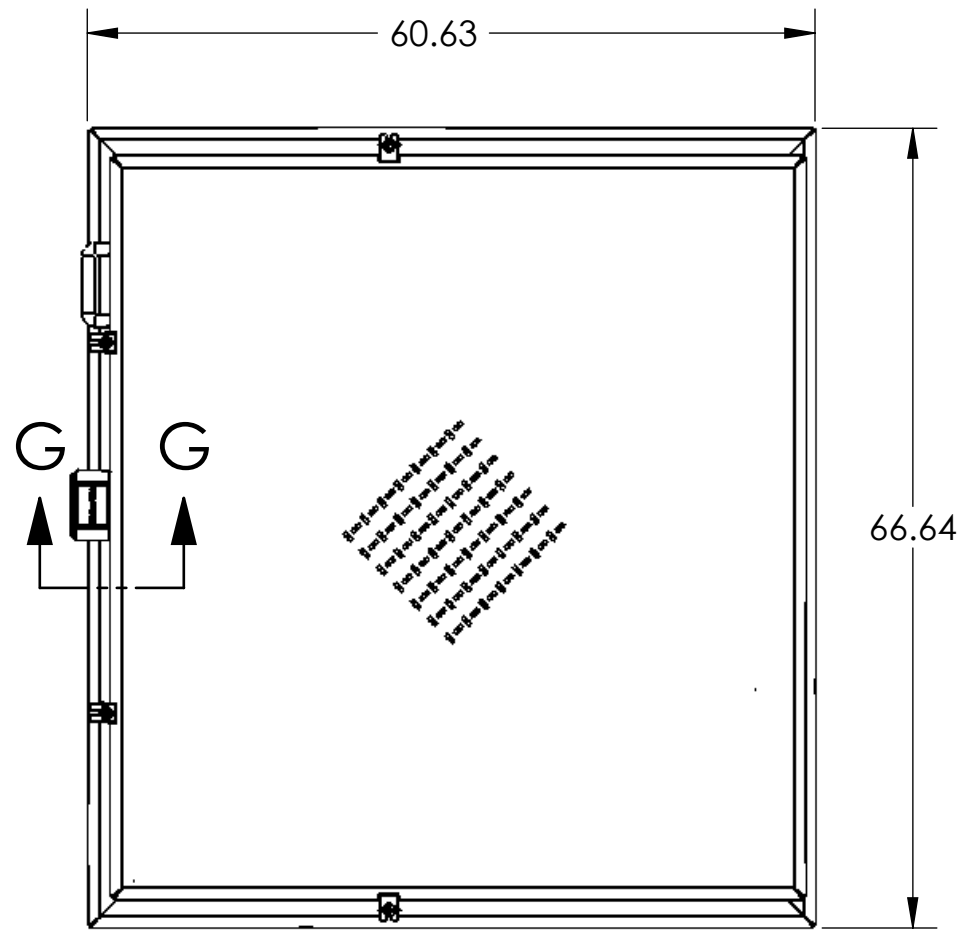


GENERAL SPECIFICATIONS:

1. UNIT IS WEATHER PROOF WITH CONTINUOUS BULB SEAL ON LID TO FRAME AND 1/4" X 5-1/4" WIDE FRAME TO CURB SEALS.
2. LID OVER LAPS FRAME A MINIMUM OF 2 INCHES.
3. FRAME IS A MINIMUM OF 4" ABOVE THE CURB. SECURITY CURB SKIRTING DESIGNED TO COVER 6" WIDE CURB AND TO EXTEND DOWNWARD OVER THE CURB 6". SKIRTING CAN BE MADE TO CUSTOMER NEEDS.
4. LID IS HINGED ON SIDE WITH TAMPER PROOF SCREWS AND PROVISION FOR A PADLOCK WITH TAMPER PROOF COVER. THERE ARE A MINIMUM OF FOUR SWING BOLT HOLD DOWNS TO SECURE THE HATCH FOR WEATHER PROOF SEAL.
5. HATCH IS DESIGNED FOR 200 P.S.F. LOAD.
6. THERE ARE 8 INTERIOR ATTACHMENT POINTS FOR SECURITY USING 1/2" FASTENER. THERE IS A FULL FACE GASKET OF 5-1/4" WIDE CLOSED CELL FOAM EPDM BETWEEN FRAME AND CURB.
7. LID IS A 1/4" 5086 ALUMINUM TREAD PLATE.
8. ALL FASTENERS AND HARDWARE ARE 316 STAINLESS STEEL.
9. ONE COAT OF BLACK BITUMINOUS PAINT ON THE INSIDE OF FRAME WHERE IT CONTACTS CURBING CONCRETE.

THIS DOCUMENT CONTAINS PROPRIETARY, TRADE SECRET INFORMATION THAT IS THE PROPERTY OF VERSA STEEL, INC. THE INFORMATION CONTAINED IN THIS DOCUMENT, INCLUDING THE PRINCIPLE OF DESIGN, MAY NOT BE USED OR COPIED, IN WHOLE OR IN PART, WITHOUT THE EXPRESS PRIOR WRITTEN CONSENT OF VERSA STEEL, INC.

<p>VERSA STEEL, INC. 1618 NE FIRST AVENUE PORTLAND, OREGON 97232 (503)287-9822 FAX (503)-287-7483</p>	<p>REV</p>	<p>ISSUED FOR</p>	<p>DATE</p>	<p>BY</p>
<p>DRAWN BY E. BAILIFF</p>				
<p>DATE 2009-08-13</p>				
<p>CHECKED BY</p>				
<p>APPROVED BY</p>				
<p>MATERIAL 6061-T6 ALUMINUM</p>	<p>FINISH BARE</p>	<p>SHEET TITLE WATER RESERVOIR SECURITY HATCH, ST SERIES 48 X 54</p>	<p>PART NUMBER: VSH-200-A-48-54-ST-GS</p>	
<p>PART NUMBER VSH-200-A-48-54-ST-GS</p>				
<p>SUPPLIER FABRICATED PART</p>				
<p>SCALE 1:16</p>				
<p>DRAWING NO. VSH-200-A-48-54-ST-GS-SPE</p>				
<p>REVISION NO. A</p>				
<p>SHEET NO. 1 OF 2</p>				



SECTION G-G  
SCALE 1 : 4

NOTES:  
 PN: VSH-200-A-48-54-ST-GS  
 DESC: WATER RESERVOIR SECURITY HATCH, ST SERIES 48 X 54  
 MATRL: 6061-T6 ALUMINUM  
 EST. WT: 230.3  
 FINISH: BARE  
 NOTE: -  
 CAD FILE: VSH-200-A-48-54-ST-GS-SPEC

THIS DOCUMENT CONTAINS PROPRIETARY, TRADE SECRET INFORMATION THAT IS THE PROPERTY OF VERSA STEEL, INC. THE INFORMATION CONTAINED IN THIS DOCUMENT, INCLUDING THE PRINCIPLE OF DESIGN, MAY NOT BE USED OR COPIED, IN WHOLE OR IN PART, WITHOUT THE EXPRESS PRIOR WRITTEN CONSENT OF VERSA STEEL, INC.

VERSA STEEL, INC.  
 1618 NE FIRST AVENUE  
 PORTLAND, OREGON 97232  
 (503)287-9822  
 FAX (503)-287-7483

DRAWN BY  
 E. BAILIFF  
 DATE  
 2009-08-13  
 CHECKED BY

APPROVED BY

MATERIAL  
 6061-T6 ALUMINUM  
 FINISH  
 BARE  
 SHEET TITLE  
 WATER RESERVOIR SECURITY HATCH, ST SERIES 48 X 54  
 PART NUMBER  
 VSH-200-A-48-54-ST-GS

SUPPLIER  
 FABRICATED PART  
 SCALE  
 1:16  
 DRAWING NO.  
 VSH-200-A-48-54-ST-GS-SPEC  
 REVISION NO.  
 A  
 SHEET NO.  
 2 OF 2

REV	ISSUED FOR	DATE	BY
G			
F			
E			
D			
C			
B			
A			