

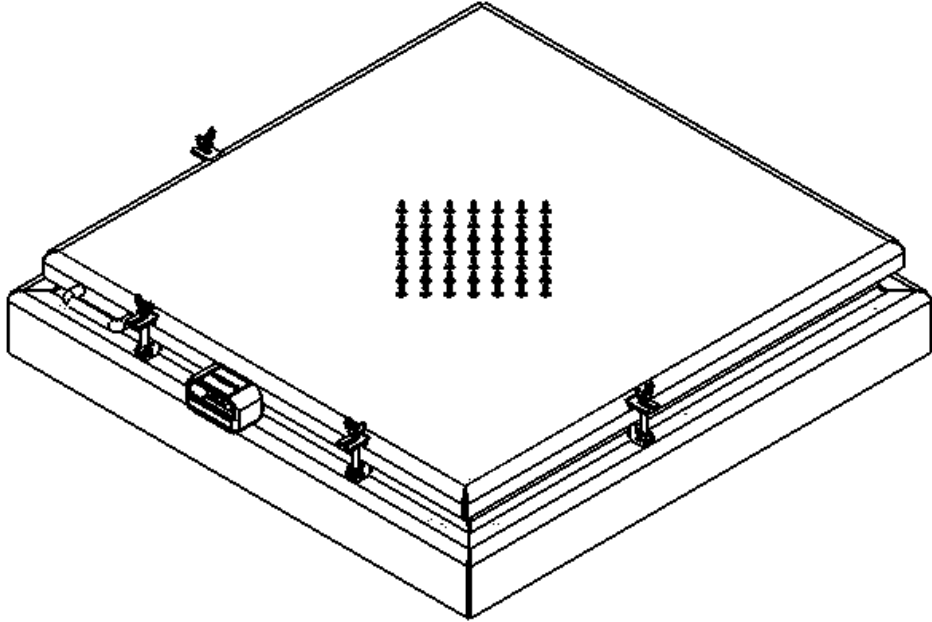
VERSA STEEL Approval Drawings

WATER RESERVOIR SECURITY HATCH, ST SERIES 42 X 42

Assembly No.:VSH-200-A-42-42-ST-GS

ASSEMBLY NO./PART NUMBER KEY:

- VSH= VERSA STEEL INC. HATCH
- 200 = 200 P.S.F. RATED
- A= ALUMINUM CONSTRUCTION
- 36-36= SIZE INTERIOR OPENING
- ST = SINGLE TEE FRAME SERIES
- GS= GAS SPRING

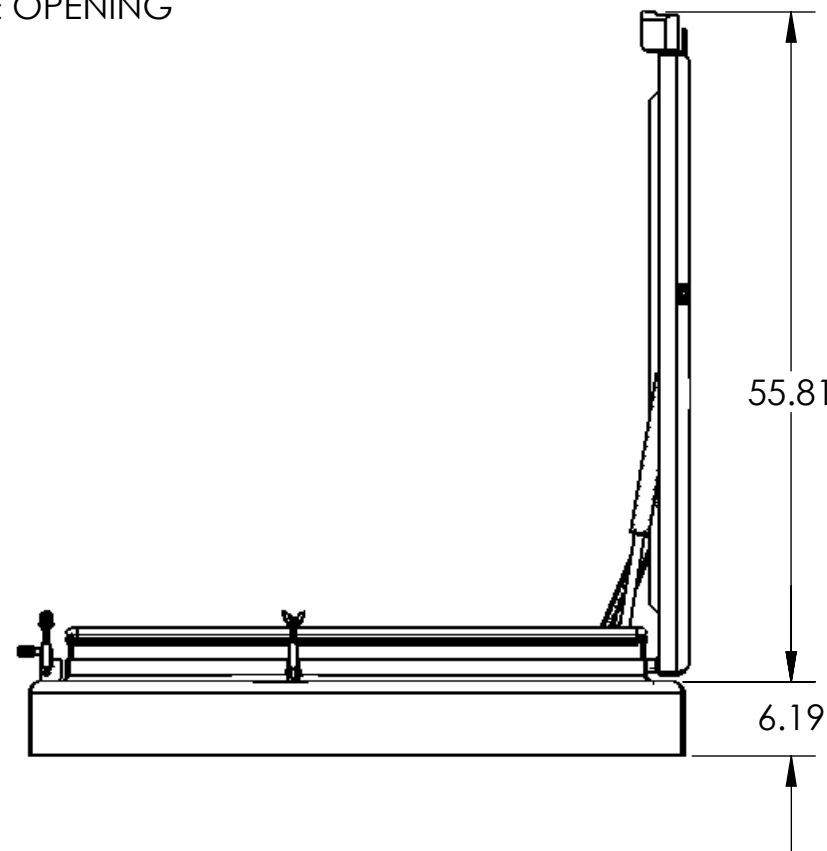
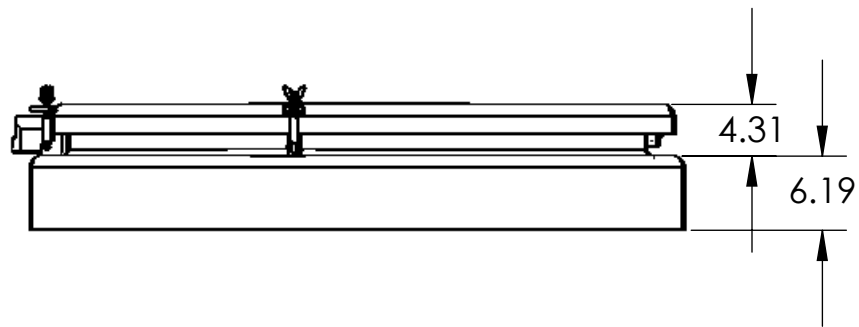
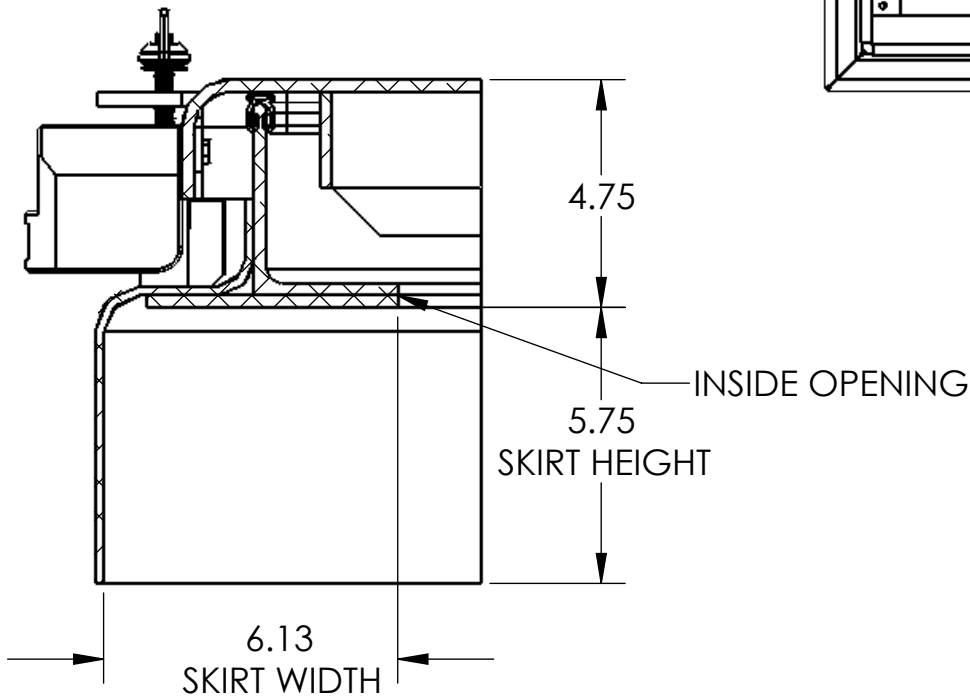
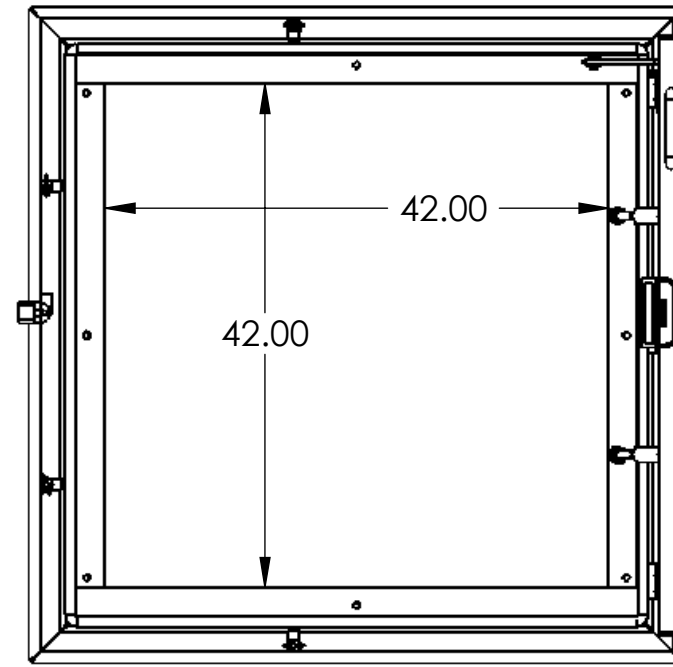
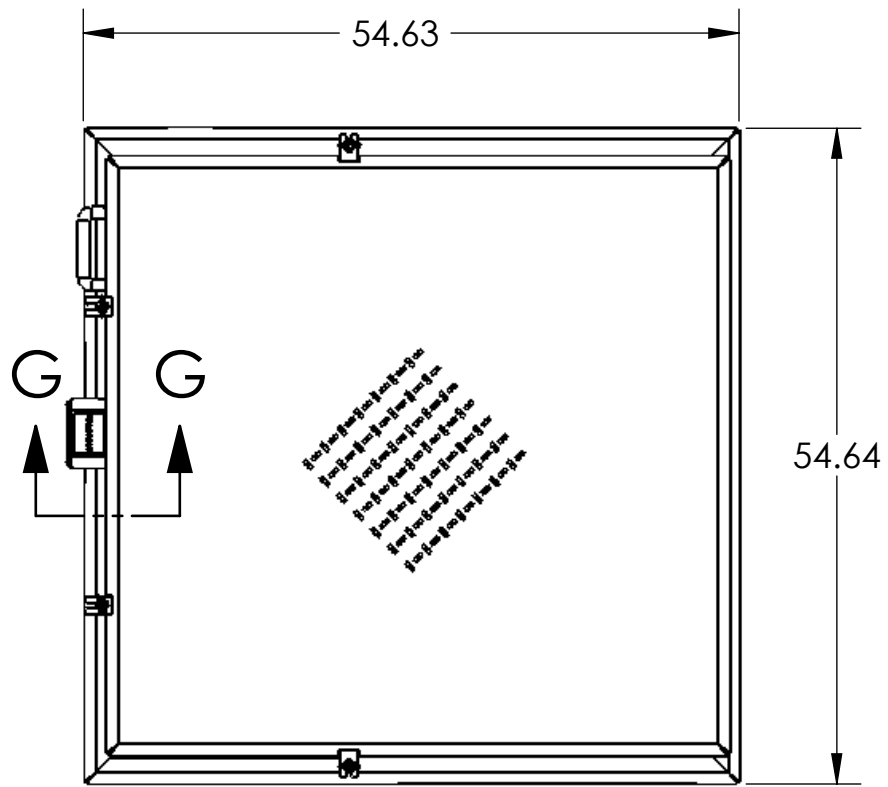


GENERAL SPECIFICATIONS:

1. UNIT IS WEATHER PROOF WITH CONTINUOUS BULB SEAL ON LID TO FRAME AND 1/4" X 5-1/4" WIDE FRAME TO CURB SEALS.
2. LID OVER LAPS FRAME A MINIMUM OF 2 INCHES.
3. FRAME IS A MINIMUM OF 4" ABOVE THE CURB. SECURITY CURB SKIRTING DESIGNED TO COVER 6" WIDE CURB AND TO EXTEND DOWNWARD OVER THE CURB 6". SKIRTING CAN BE MADE TO CUSTOMER NEEDS.
4. LID IS HINGED ON SIDE WITH TAMPER PROOF SCREWS AND PROVISION FOR A PADLOCK WITH TAMPER PROOF COVER. THERE ARE A MINIMUM OF FOUR SWING BOLT HOLD DOWNS TO SECURE THE HATCH FOR WEATHER PROOF SEAL.
5. HATCH IS DESIGNED FOR 200 P.S.F. LOAD.
6. THERE ARE 8 INTERIOR ATTACHMENT POINTS FOR SECURITY USING 1/2" FASTENER. THERE IS A FULL FACE GASKET OF 5-1/4" WIDE CLOSED CELL FOAM EPDM BETWEEN FRAME AND CURB.
7. LID IS A 1/4" 5086 ALUMINUM TREAD PLATE.
8. ALL FASTENERS AND HARDWARE ARE 316 STAINLESS STEEL.
9. ONE COAT OF BLACK BITUMINOUS PAINT ON THE INSIDE OF FRAME WHERE IT CONTACTS CURBING CONCRETE.

THIS DOCUMENT CONTAINS PROPRIETARY, TRADE SECRET INFORMATION THAT IS THE PROPERTY OF VERSA STEEL, INC. THE INFORMATION CONTAINED IN THIS DOCUMENT, INCLUDING THE PRINCIPLE OF DESIGN, MAY NOT BE USED OR COPIED, IN WHOLE OR IN PART, WITHOUT THE EXPRESS PRIOR WRITTEN CONSENT OF VERSA STEEL, INC.

G	F	E	D	C
B	A	REV	ISSUED FOR	BY
VERSA STEEL, INC. 1618 NE FIRST AVENUE PORTLAND, OREGON 97232 (503)287-9822 FAX (503)-287-7483				
DRAWN BY E. BAILIFF				
DATE 2009-08-13				
CHECKED BY				
APPROVED BY				
MATERIAL	6061-T6 ALUMINUM	FINISH	BARE	SHEET TITLE
		WATER RESERVOIR SECURITY HATCH, ST SERIES 42 X 42		
		PART NUMBER: VSH-200-A-42-42-ST-GS		
PART NUMBER VSH-200-A-42-42-ST-GS				
SUPPLIER				
FABRICATED PART				
SCALE				
1:16				
DRAWING NO.				
VSH-200-A-42-42-ST-GS-SPE				
REVISION NO.				
A				
SHEET NO.				
1 OF 2				



SECTION G-G
SCALE 1 : 4

NOTES:
 PN: VSH-200-A-42-42-ST-GS
 DESC: WATER RESERVOIR SECURITY HATCH, ST SERIES 42 X 42
 MATRL: 6061-T6 ALUMINUM
 EST. WT:
 FINISH: BARE
 NOTE: -
 CAD FILE: VSH-200-A-42-42-ST-GS-SPEC

THIS DOCUMENT CONTAINS PROPRIETARY, TRADE SECRET, INFORMATION THAT IS THE PROPERTY OF VERSA STEEL, INC. THE INFORMATION CONTAINED IN THIS DOCUMENT, INCLUDING THE PRINCIPLE OF DESIGN, MAY NOT BE USED OR COPIED, IN WHOLE OR IN PART, WITHOUT THE EXPRESS PRIOR WRITTEN CONSENT OF VERSA STEEL, INC.

VERSA STEEL, INC.
 1618 NE FIRST AVENUE
 PORTLAND, OREGON 97232
 (503)287-9822
 FAX (503)-287-7483

DRAWN BY
 E. BAILIFF
 DATE
 2009-08-13
 CHECKED BY

APPROVED BY

MATERIAL	6061-T6 ALUMINUM
FINISH	BARE
SHEET TITLE	WATER RESERVOIR SECURITY HATCH, ST SERIES 42 X 42
PART NUMBER	VSH-200-A-42-42-ST-GS
SUPPLIER	FABRICATED PART
SCALE	1:16
DRAWING NO.	VSH-200-A-42-42-ST-GS-SPE
REVISION NO.	A
SHEET NO.	2 OF 2

REV	ISSUED FOR	DATE	BY
G			
F			
E			
D			
C			
B			
A			