

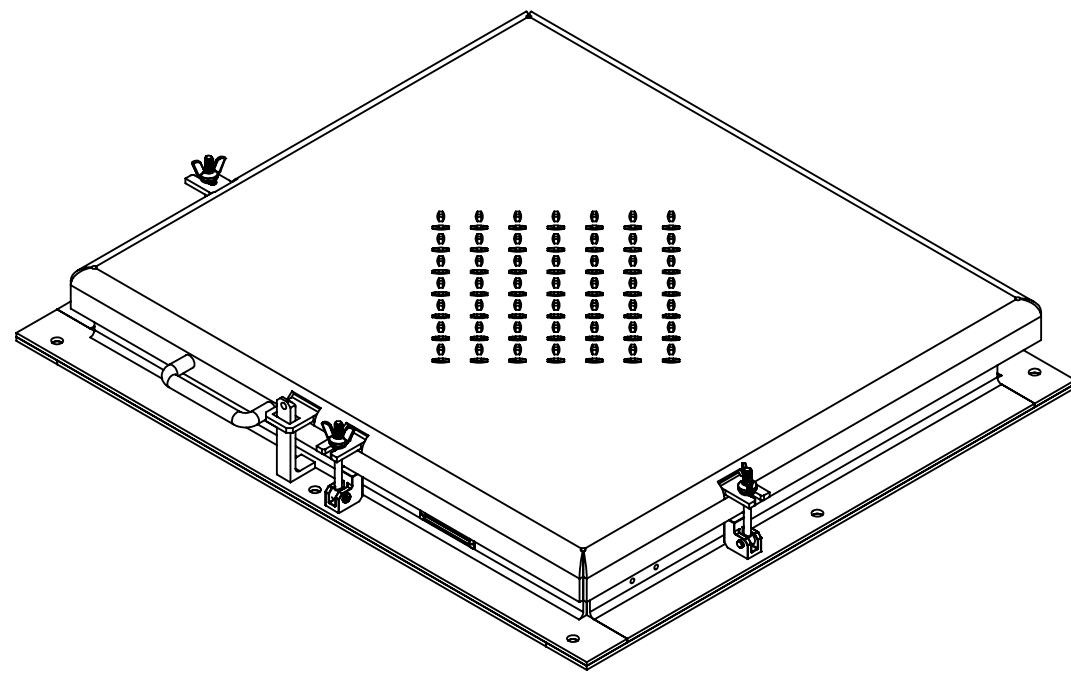
# VERSA STEEL Approval Drawings

## HATCH ASSEMBLY-GAS SPRING, 30 X 36

Assembly No.: VSH-150-A-30-36-S-GS

### ASSEMBLY NO./PART NUMBER KEY:

VSH= VERSA STEEL INC. HATCH  
 150 = 200 P.S.F. RATED  
 A= ALUMINUM CONSTRUCTION  
 30-30= SIZE INTERIOR OPENING  
 S = SMALL SERIES  
 GS= GAS SPRING  
 NS= NO SPRING ASSIST



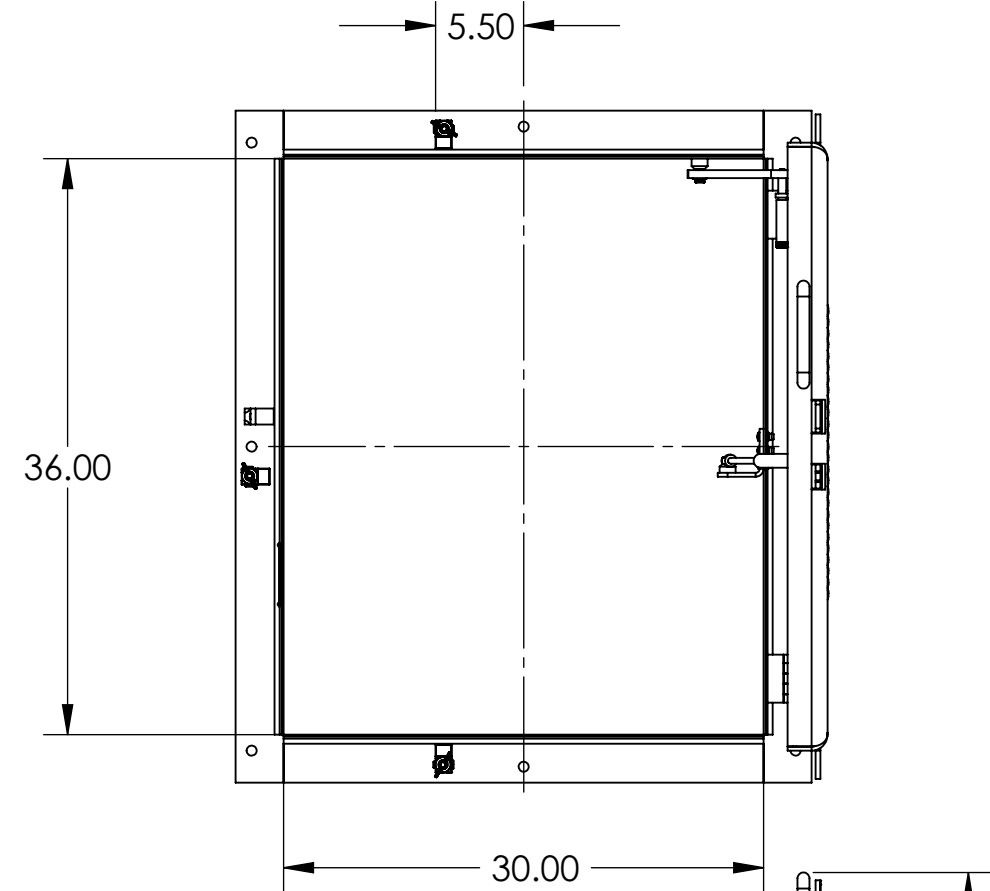
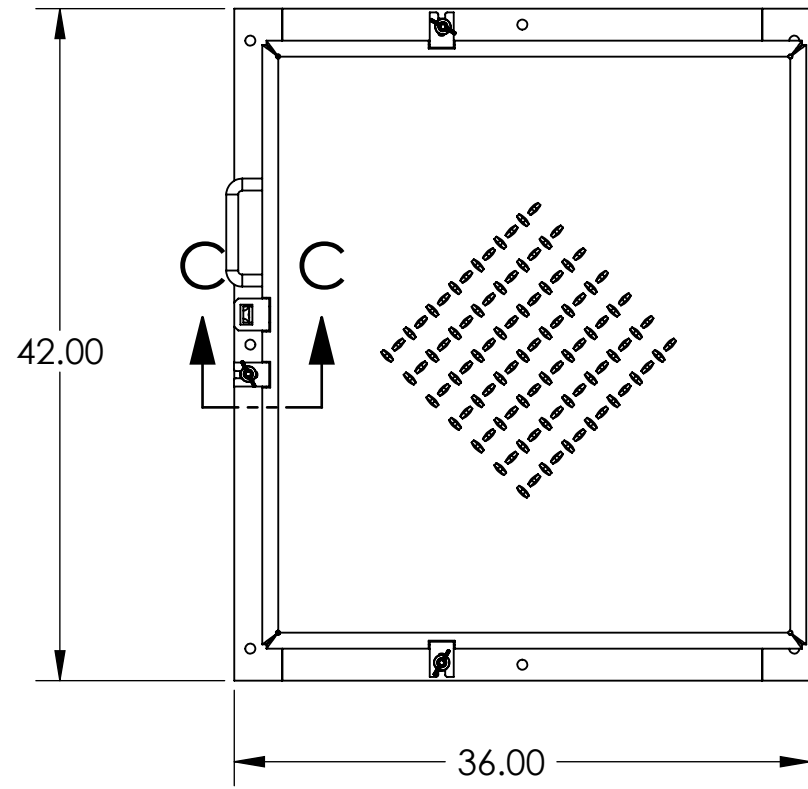
### GENERAL SPECIFICATIONS:

1. UNIT IS WEATHER PROOF WITH CONTINUOUS BULB SEAL ON LID TO FRAME AND 1/4" X 3" WIDE FRAME TO CURB SEALS.
2. LID OVER LAPS FRAME A MINIMUM OF 2 INCHES.
3. FRAME IS A MINIMUM OF 4" ABOVE THE CURB.
4. LID IS HINGED ON SIDE WITH TAMPER PROOF SCREWS . THERE ARE A MINIMUM OF THREE SWING BOLT HOLD DOWNS TO SECURE THE HATCH FOR WEATHER PROOF SEAL.
5. HATCH IS DESIGNED FOR 150 P.S.F. LOAD.
6. THERE ARE 8 EXTERIOR ATTACHMENT POINTS FOR 1/2" FASTENER. THERE IS A FULL FACE GASKET OF 3" WIDE CLOSED CELL FOAM EPDM BETWEEN FRAME AND CURB.
7. LID IS A 1/4" 5086 FORMED ALUMINUM TREAD PLATE.
8. ALL FASTENERS AND HARDWARE ARE 316 STAINLESS STEEL.
9. ONE COAT OF BLACK BITUMINOUS PAINT ON THE INSIDE OF FRAME WHERE IT CONTACTS CURBING CONCRETE.

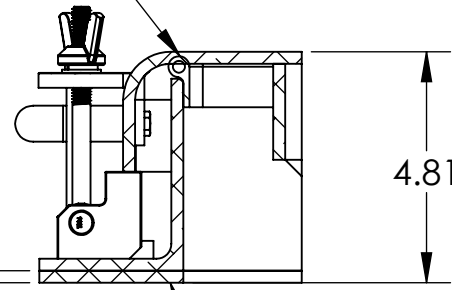
THIS DOCUMENT CONTAINS PROPRIETARY, TRADE SECRET INFORMATION THAT IS THE PROPERTY OF VERSA STEEL, INC. THE INFORMATION CONTAINED IN THIS DOCUMENT, INCLUDING THE PRINCIPLE OF DESIGN, MAY NOT BE USED OR COPIED, IN WHOLE OR IN PART, WITHOUT THE EXPRESS PRIOR WRITTEN CONSENT OF VERSA STEEL, INC.

VERSA STEEL, INC. 1618 NE FIRST AVENUE PORTLAND, OREGON 97232 (503)287-9822 FAX (503)-287-7483	G F E D C B A	REV ISSUED FOR DATE BY
DRAWN BY E. BAILIFF		
DATE 2009-08-05		
CHECKED BY		
APPROVED BY		
MATERIAL 6061-T6 ALUMINUM	FINISH BARE	SHEET TITLE HATCH ASSEMBLY-GAS SPRING, 30 X 36 PART NUMBER: VSH-150-A-30-36-S-GS
PART NUMBER VSH-150-A-30-36-S-GS		
SUPPLIER FABRICATED PART		
SCALE 1:10		
DRAWING NO. VSH-150-A-30-36-S-GS		
REVISION NO. A		
SHEET NO. 1 OF 2		

SPEC

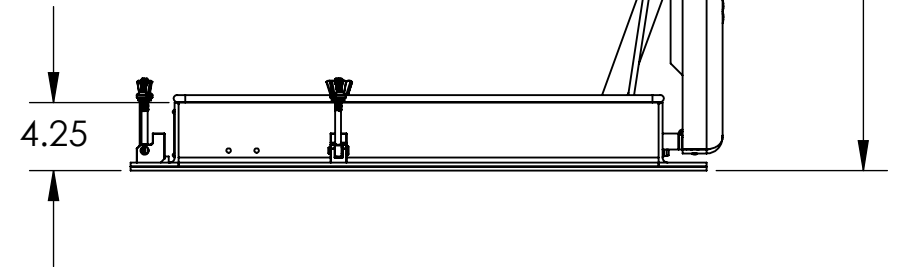
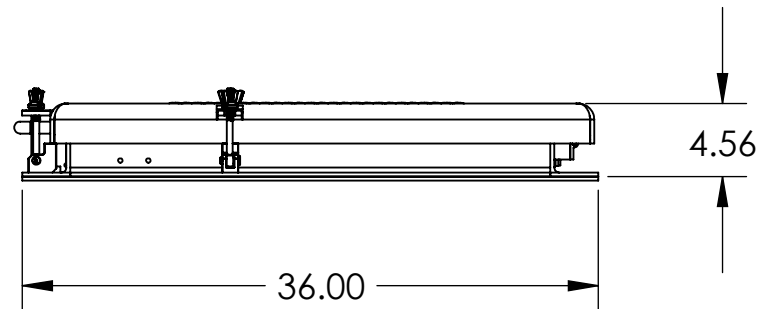


LID SEAL, COMPLETE PERIMETER OF LID & FRAME



FRAME TO CURB SEAL COMPLETE PERIMETER OF FRAME

SECTION C-C  
SCALE 1 : 4



NOTES:  
 PN: VSH-150-A-30-36-S-GS  
 DESC: HATCH ASSEMBLY-GAS SPRING, 30 X 36  
 MATRL: 6061-T6 ALUMINUM  
 EST. WT:  
 FINISH: BARE  
 NOTE: -  
 CAD FILE: VSH-150-A-30-36-S-GS-SPEC

THIS DOCUMENT CONTAINS PROPRIETARY, TRADE SECRET INFORMATION THAT IS THE PROPERTY OF VERSA STEEL, INC. THE INFORMATION CONTAINED IN THIS DOCUMENT, INCLUDING THE PRINCIPLE OF DESIGN, MAY NOT BE USED OR COPIED, IN WHOLE OR IN PART, WITHOUT THE EXPRESS PRIOR WRITTEN CONSENT OF VERSA STEEL, INC.

VERSAS STEEL, INC.  
 1618 NE FIRST AVENUE  
 PORTLAND, OREGON 97232  
 (503)287-9822  
 FAX (503)-287-7483

DRAWN BY  
 E. BAILIFF  
 DATE  
 2009-08-05  
 CHECKED BY

APPROVED BY

MATERIAL  
 6061-T6 ALUMINUM  
 FINISH  
 BARE  
 SHEET TITLE  
 HATCH ASSEMBLY-GAS SPRING, 30 X 36  
 PART NUMBER  
 VSH-150-A-30-36-S-GS  
 SUPPLIER  
 FABRICATED PART  
 SCALE  
 1:12  
 DRAWING NO.  
 VSH-150-A-30-36-S-GS-SPEC  
 REVISION NO.  
 A

SHEET NO.  
 2 OF 2

REV	ISSUED FOR	DATE	BY
G			
F			
E			
D			
C			
B			
A			