

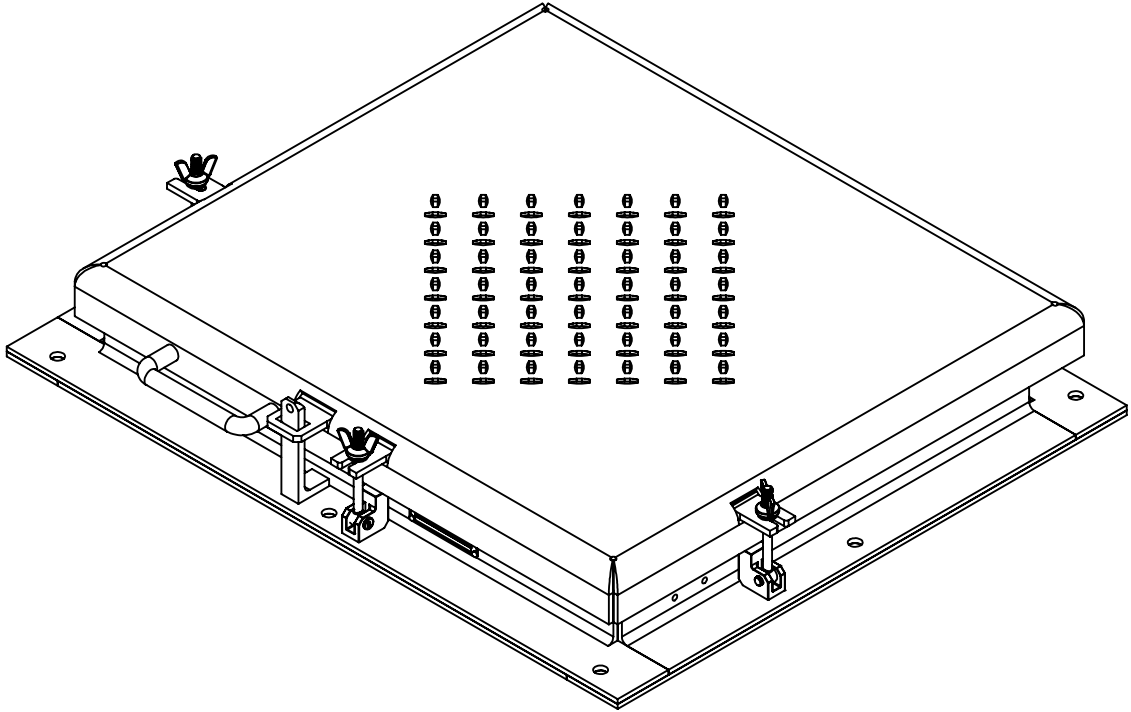
# VERSA STEEL Approval Drawings

## HATCH ASSEMBLY-GAS SPRING, 24 X 30

### Assembly No.: VSH-150-A-24-30-S-NS

**ASSEMBLY NO./PART NUMBER KEY:**

VSH= VERSA STEEL INC. HATCH  
150 = 200 P.S.F. RATED  
A= ALUMINUM CONSTRUCTION  
30-30= SIZE INTERIOR OPENING  
S = SMALL SERIES  
GS= GAS SPRING  
NS= NO SPRING ASSIST



**GENERAL SPECIFICATIONS:**

- 1. UNIT IS WEATHER PROOF WITH CONTINUOUS BULB SEAL ON LID TO FRAME AND 1/4" X 3" WIDE FRAME TO CURB SEALS.
- 2. LID OVER LAPS FRAME A MINIMUM OF 2 INCHES.
- 3. FRAME IS A MINIMUM OF 4" ABOVE THE CURB.
- 4. LID IS HINGED ON SIDE WITH TAMPER PROOF SCREWS . THERE ARE A MINIMUM OF THREE SWING BOLT HOLD DOWNS TO SECURE THE HATCH FOR WEATHER PROOF SEAL.
- 5. HATCH IS DESIGNED FOR 150 P.S.F. LOAD.
- 6. THERE ARE 8 EXTERIOR ATTACHMENT POINTS FOR 1/2" FASTENER. THERE IS A FULL FACE GASKET OF 3" WIDE CLOSED CELL FOAM EPDM BETWEEN FRAME AND CURB.
- 7. LID IS A 1/4" 5086 FORMED ALUMINUM TREAD PLATE.
- 8. ALL FASTENERS AND HARDWARE ARE 316 STAINLESS STEEL.
- 9. ONE COAT OF BLACK BITUMINOUS PAINT ON THE INSIDE OF FRAME WHERE IT CONTACTS CURBING CONCRETE.

THIS DOCUMENT CONTAINS PROPRIETARY, TRADE SECRET INFORMATION THAT IS THE PROPERTY OF VERSA STEEL, INC. THE INFORMATION CONTAINED IN THIS DOCUMENT, INCLUDING THE PRINCIPLE OF DESIGN, MAY NOT BE USED OR COPIED, IN WHOLE OR IN PART, WITHOUT THE EXPRESS PRIOR WRITTEN CONSENT OF VERSA STEEL, INC.

VERSA STEEL, INC.  
1618 NE FIRST AVENUE  
PORTLAND, OREGON 97232  
(503)287-9822  
FAX (503)-287-7483

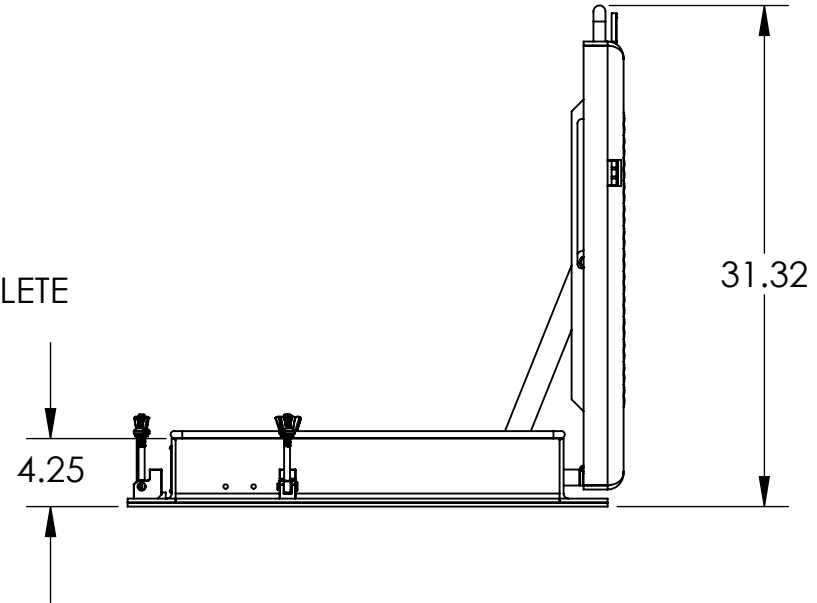
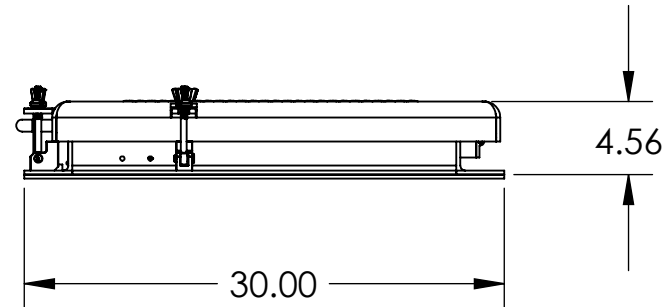
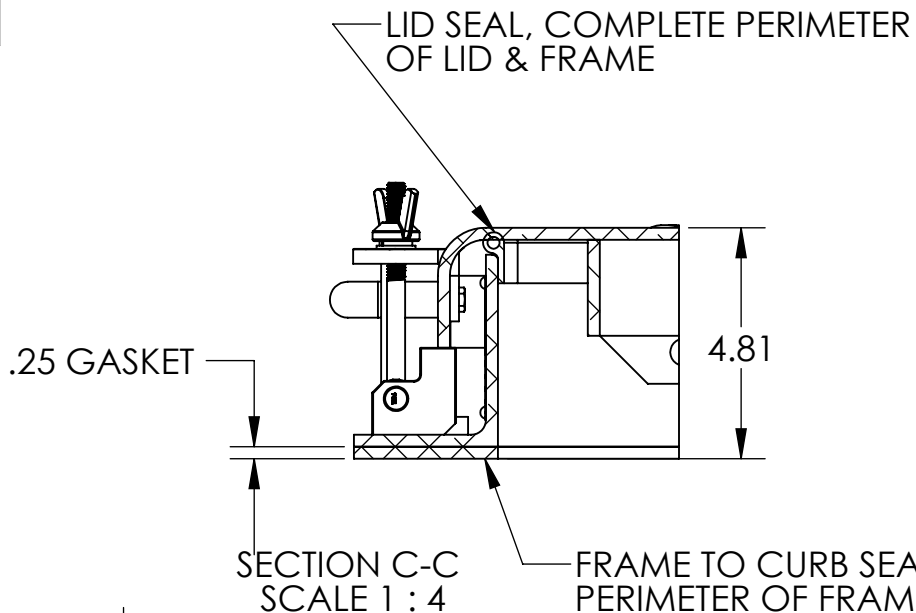
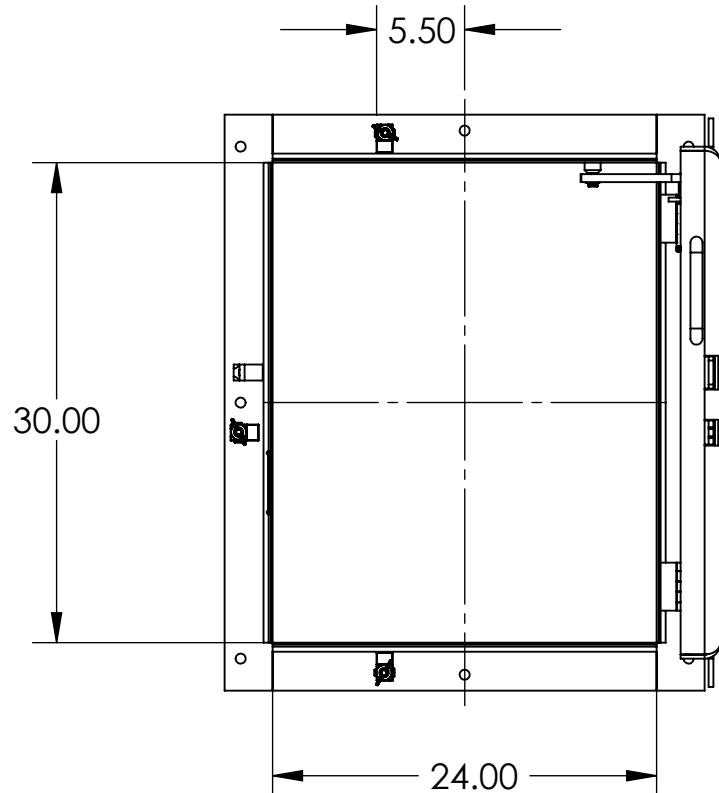
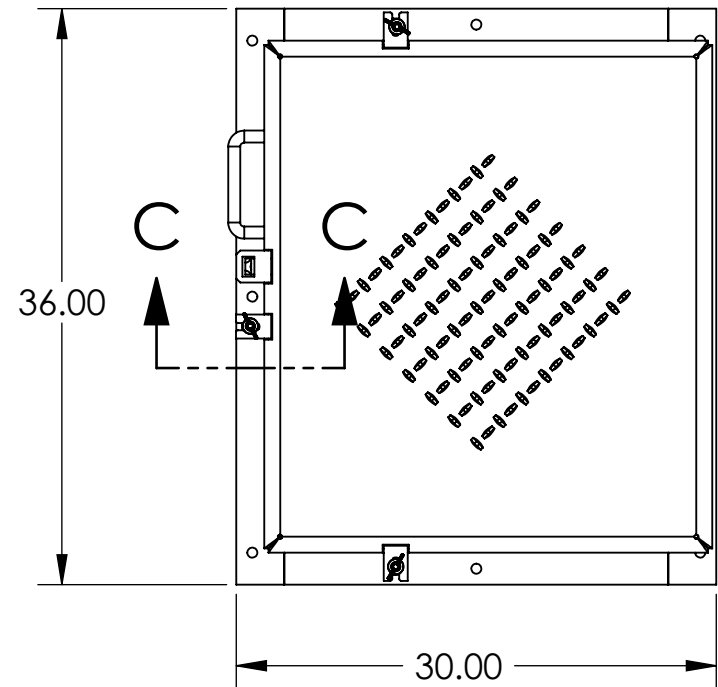
DRAWN BY  
E. BAILIFF  
DATE  
2009-08-05  
CHECKED BY

APPROVED BY

MATERIAL  
6061-T6 ALUMINUM  
FINISH  
BARE  
SHEET TITLE  
HATCH ASSEMBLY-GAS SPRING, 24 X 30  
PART NUMBER: VSH-150-A-24-30-S-NS

PART NUMBER  
VSH-150-A-24-30-S-NS  
SUPPLIER  
FABRICATED PART  
SCALE  
1:8  
DRAWING NO.  
VSH-150-A-24-30-S-NS-SPEC  
REVISION NO.  
A  
SHEET NO.  
1 OF 2

REV	ISSUED FOR	DATE	BY
G			
F			
E			
D			
C			
B			
A			



NOTES:  
 PN: VSH-150-A-24-30-S-NS  
 DESC: HATCH ASSEMBLY-GAS SPRING, 24 X 30  
 MATRL: 6061-T6 ALUMINUM  
 EST. WT: 64.4  
 FINISH: BARE  
 NOTE: -  
 CAD FILE: VSH-150-A-24-30-S-NS-SPEC

THIS DOCUMENT CONTAINS PROPRIETARY, TRADE SECRET INFORMATION THAT IS THE PROPERTY OF VERSA STEEL, INC. THE INFORMATION CONTAINED IN THIS DOCUMENT, INCLUDING THE PRINCIPLE OF DESIGN, MAY NOT BE USED OR COPIED, IN WHOLE OR IN PART, WITHOUT THE EXPRESS PRIOR WRITTEN CONSENT OF VERSA STEEL, INC.

MATERIAL	6061-T6 ALUMINUM
FINISH	BARE
SHEET TITLE	HATCH ASSEMBLY-GAS SPRING, 24 X 30
PART NUMBER	VSH-150-A-24-30-S-NS
SUPPLIER	FABRICATED PART
SCALE	1:12
DRAWING NO.	VSH-150-A-24-30-S-NS-SPEC
REVISION NO.	A
SHEET NO.	2 OF 2

VERSAL	ISSUED FOR	BY
G		
F		
E		
D		
C		
B		
A		

DATE	2009-08-05
CHECKED BY	
APPROVED BY	
DRAWN BY	E. BAILIFF

VERSAL	ISSUED FOR	BY
G		
F		
E		
D		
C		
B		
A		

VERSA STEEL, INC.  
 1618 NE FIRST AVENUE  
 PORTLAND, OREGON 97232  
 (503)287-9822  
 FAX (503)-287-7483