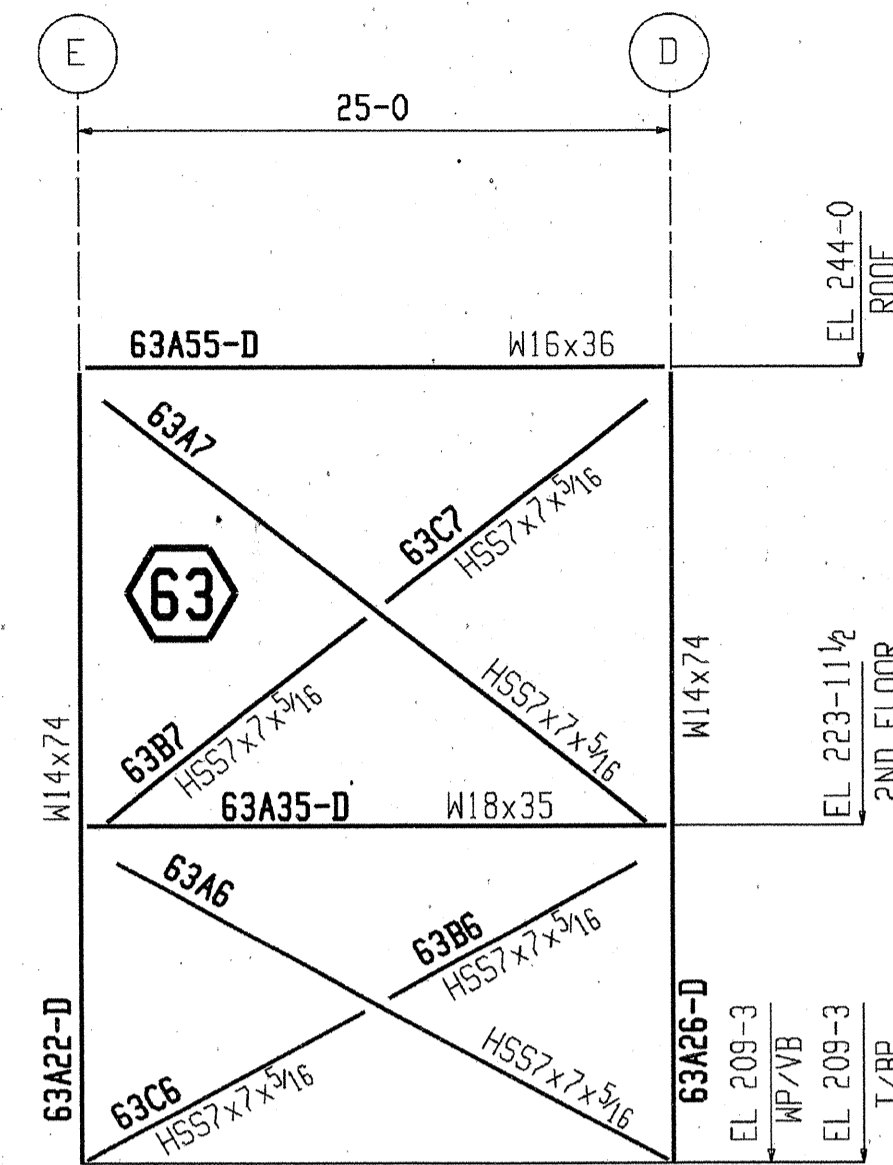
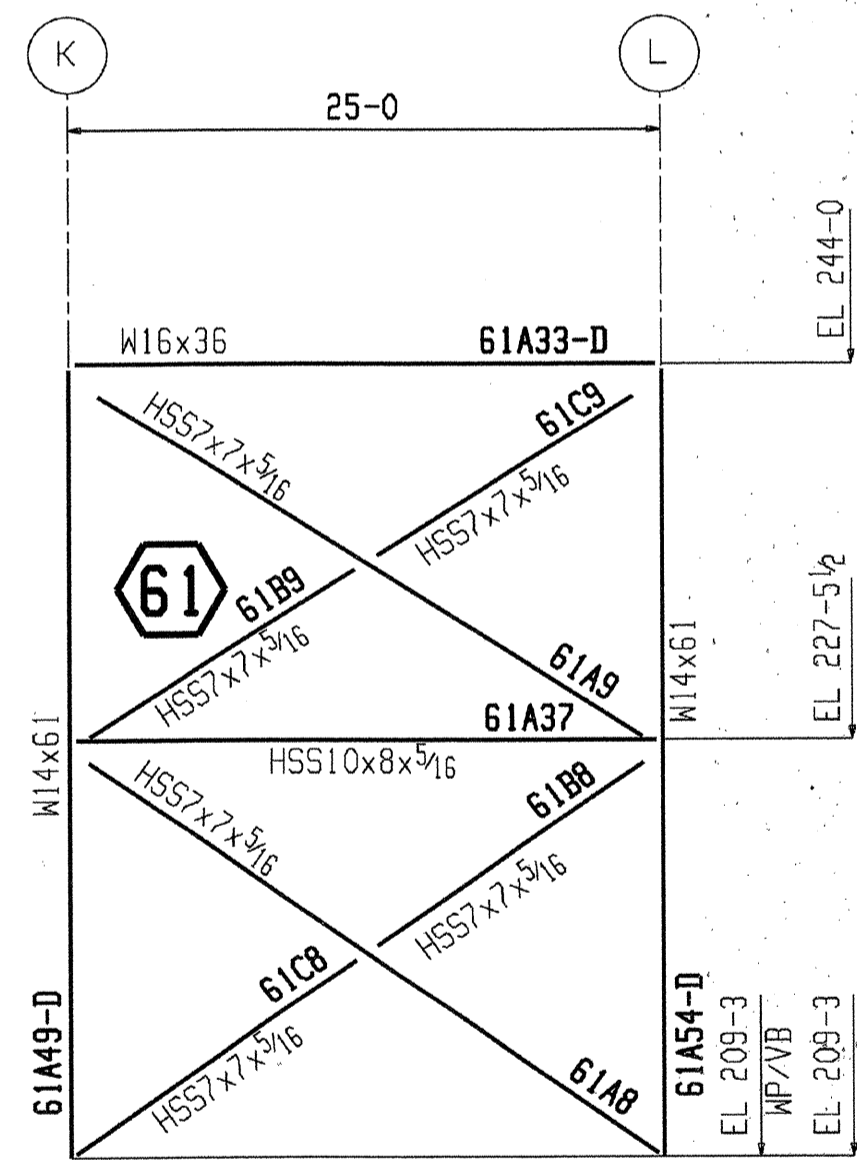
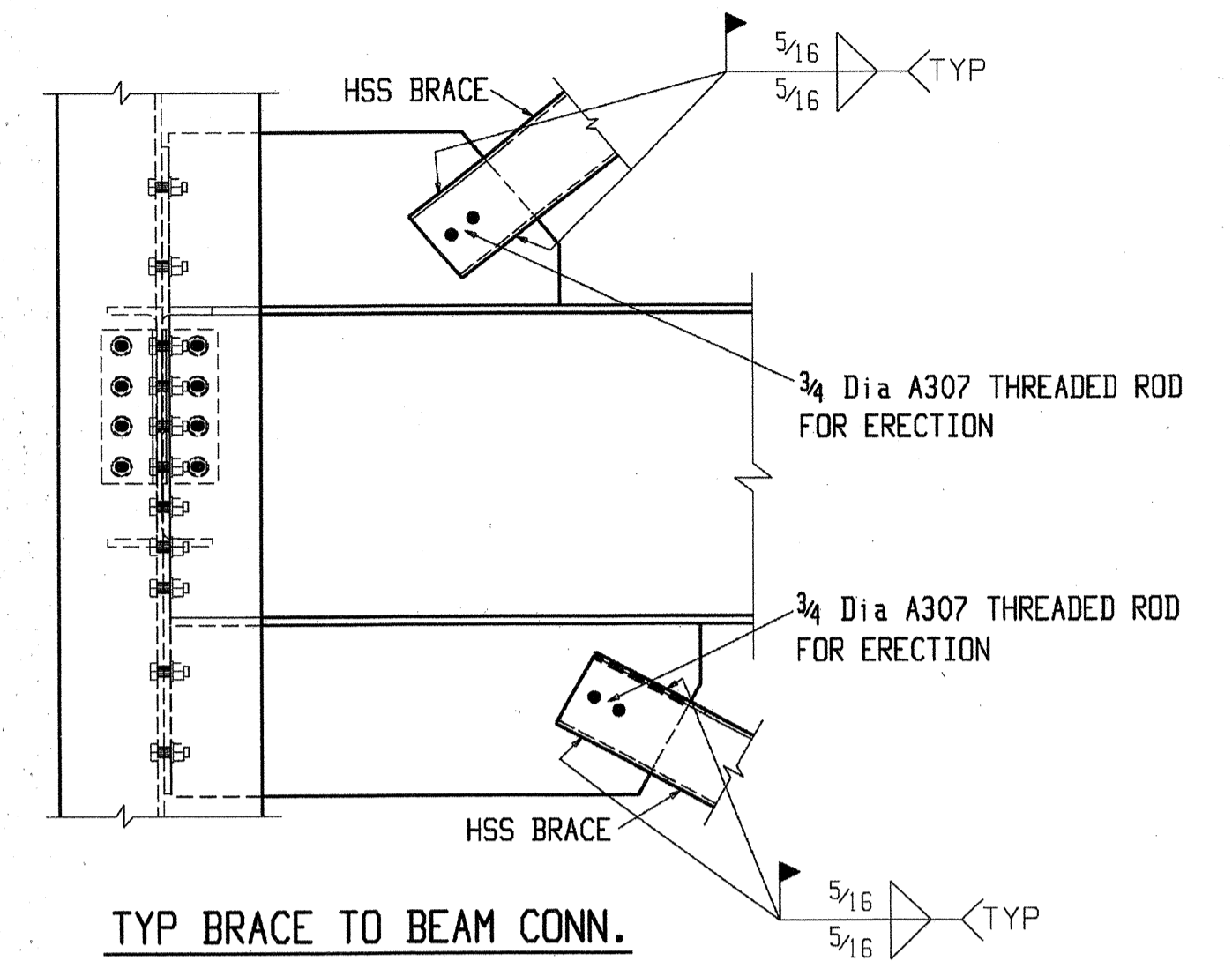


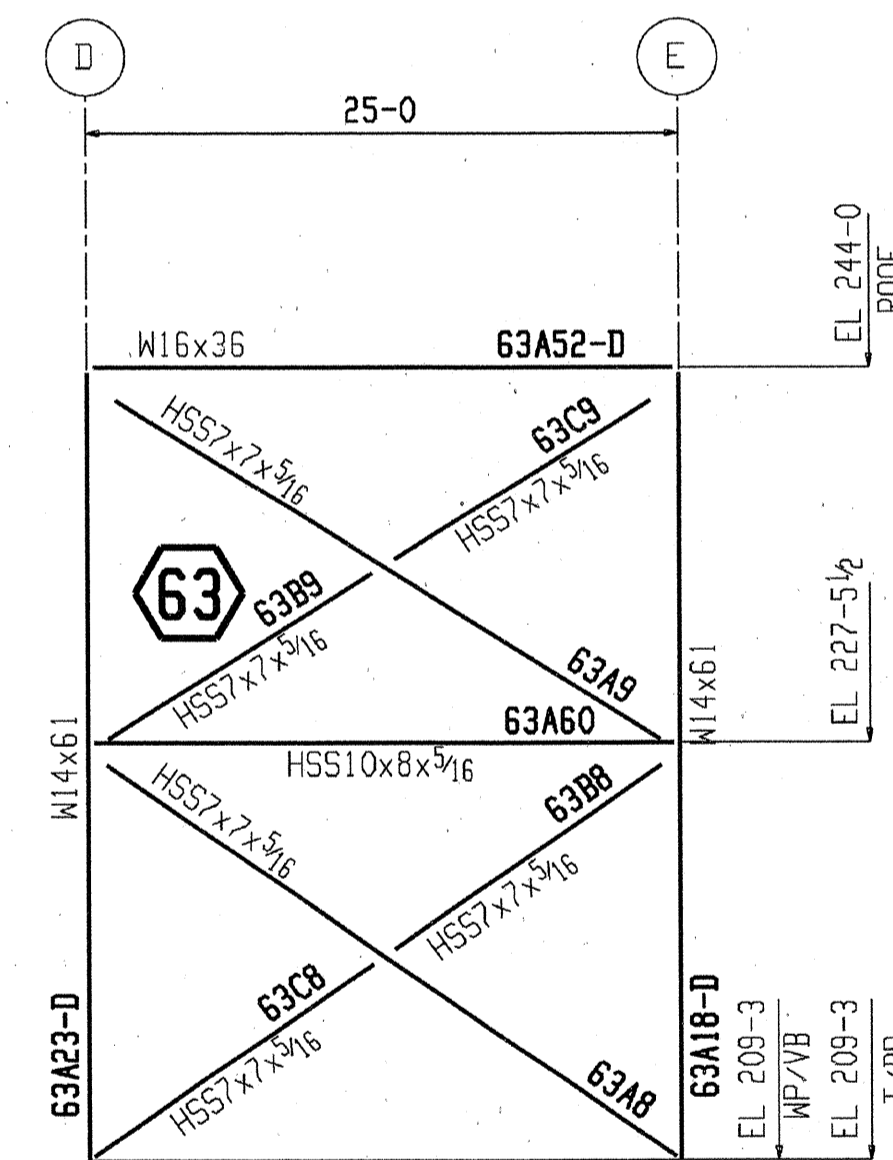
ELEVATION @ COLUMN LINE 1
VIEW LOOKING WEST



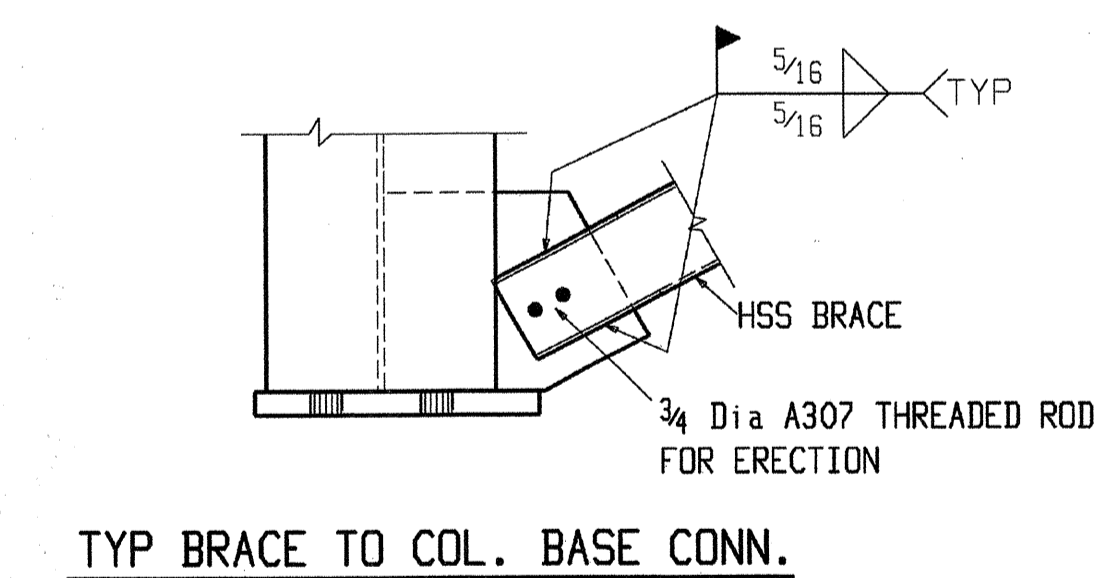
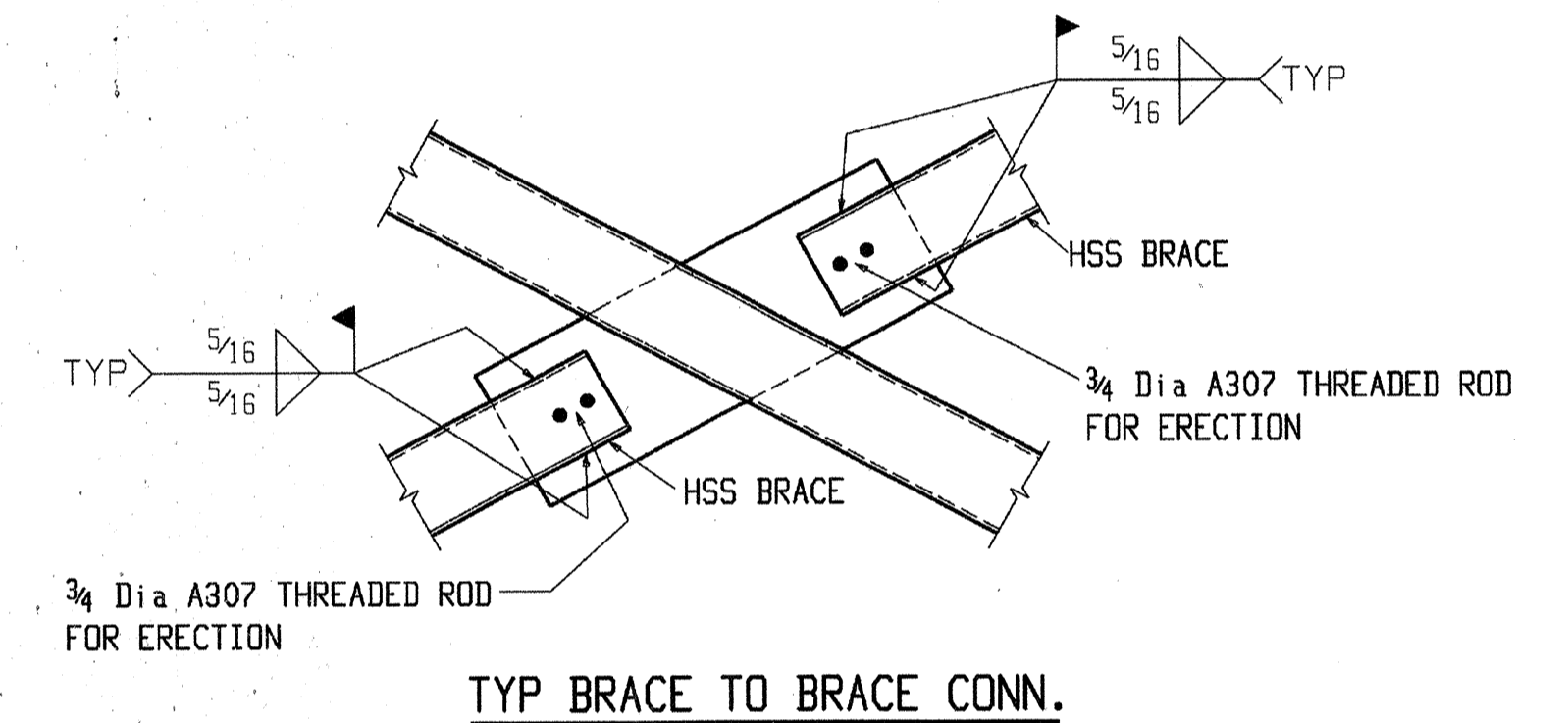
ELEVATION @ COLUMN LINE 1
VIEW LOOKING WEST



ELEVATION @ COLUMN LINE 6
VIEW LOOKING EAST



ELEVATION @ COLUMN LINE 6
VIEW LOOKING EAST



FIELD WARNING:
LIFT HOLE IS FOR SINGLE PIECE DEAD LOAD LIFT &
NOT TO BE USED FOR MULTI-PIECE ASSEMBLY.
LIFTING OF MULTI-PIECE ASSEMBLIES SHALL BE THE
RESPONSIBILITY OF THE ERECTOR & ALL LIFTING
DEVICES & LIFTING LOCATIONS SHALL BE DESIGNED
BY THE ERECTOR.

REV. NO.	DATE	REVISION DESCRIPTION	BY	APP'L	SHOP	FIELD	REV. NO.	DATE	REVISION DESCRIPTION	BY	APP'L	SHOP	FIELD
0							0						

DESIGN DWG REF: PWC610-S1-001-502	DRWN GVD	DATE 12-9-03	CHKD MEI	DATE 12-03
STRUCTURE UNSTABLE UNTIL FIELD WORK COMPLETE. ERECTOR TO AS REQUIRED.		PAINT PIECE MARK TO READ RIGHT SIDE UP ON LEFT END UP PIECE. ERECT WITH MARK AT SOME END AS SHOWN ON ERECTION PLAN & RIGHT SIDE UP.		

CUSTOMER SUITT	DRAWING NO. E610-502
JOB TITLE LILLY PWC	STRUCTURE CUP BUILDING 610
LOCATION MANASSAS, VA	ARCH. OR ENGR. JACOBS ENGINEERING
CONTRACT NO. 3227	

ARCO STEEL

1423 EAST SIXTH STREET / POST OFFICE BOX 231 / AREA CODE 501-840-8800 / LITTLE ROCK, ARKANSAS 72203