

METRIC

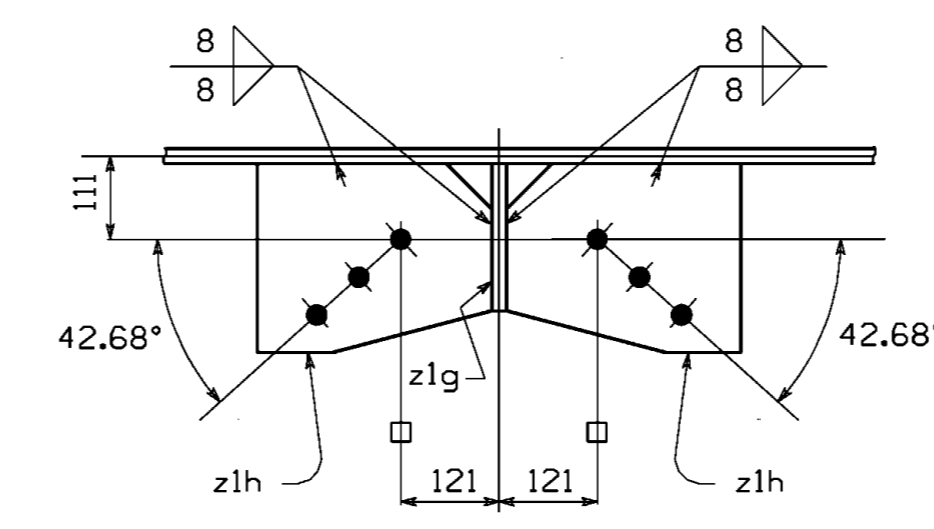
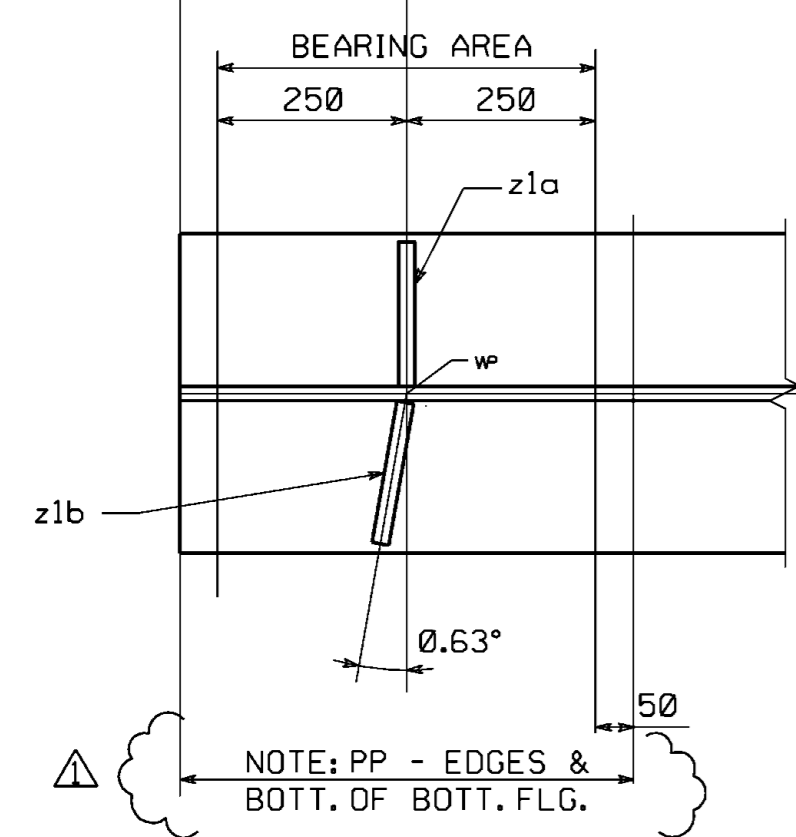
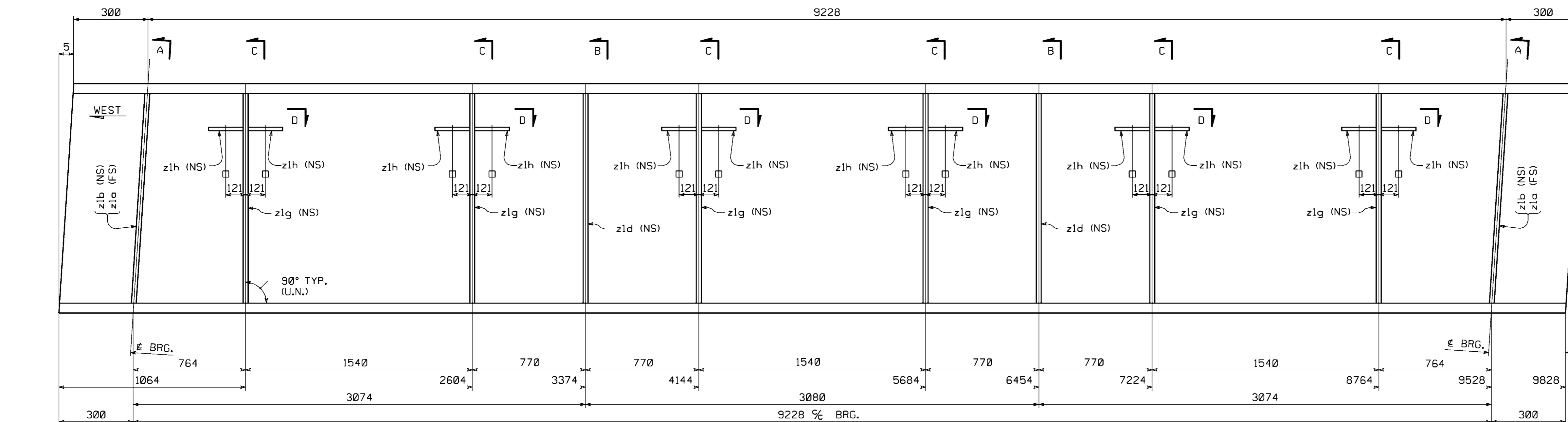
METRIC

1. ALL DIMENSIONS ARE IN MILLIMETERS UNLESS OTHERWISE NOTED.
2. ALL WEIGHTS ARE IN KILOGRAMS.

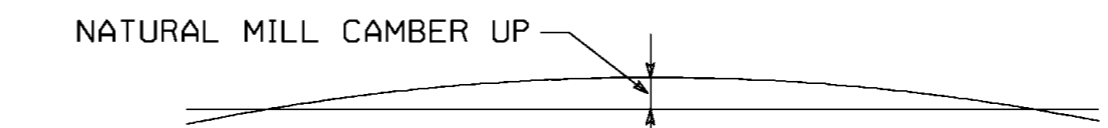
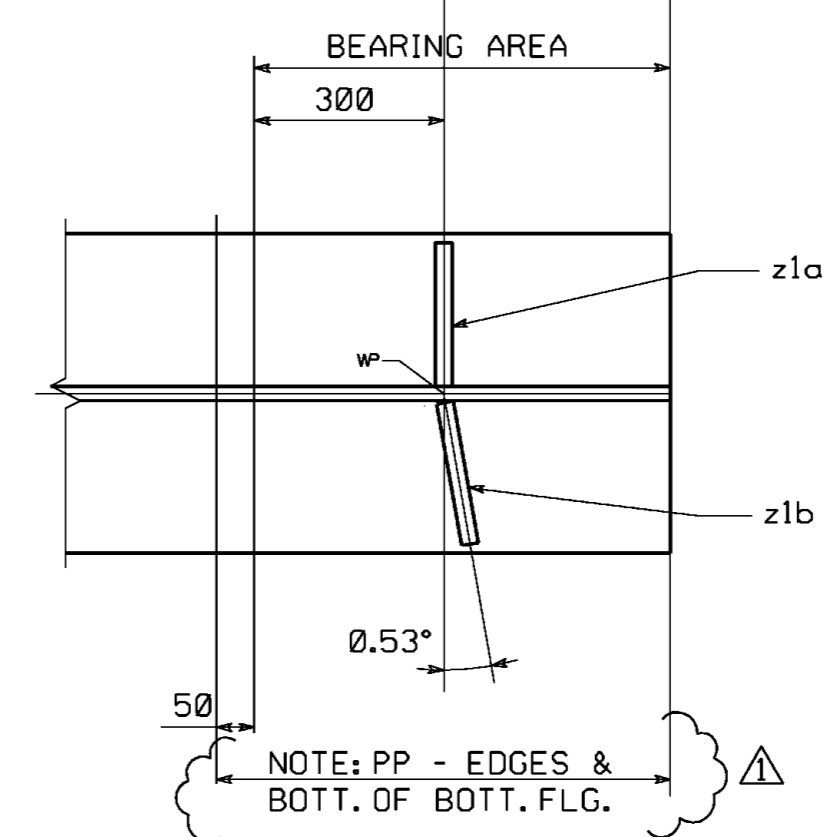
FED. ROAD DIV. NO.	STATE	FED. AID PROJ. NO.
3	PA	

BILL OF MATERIAL

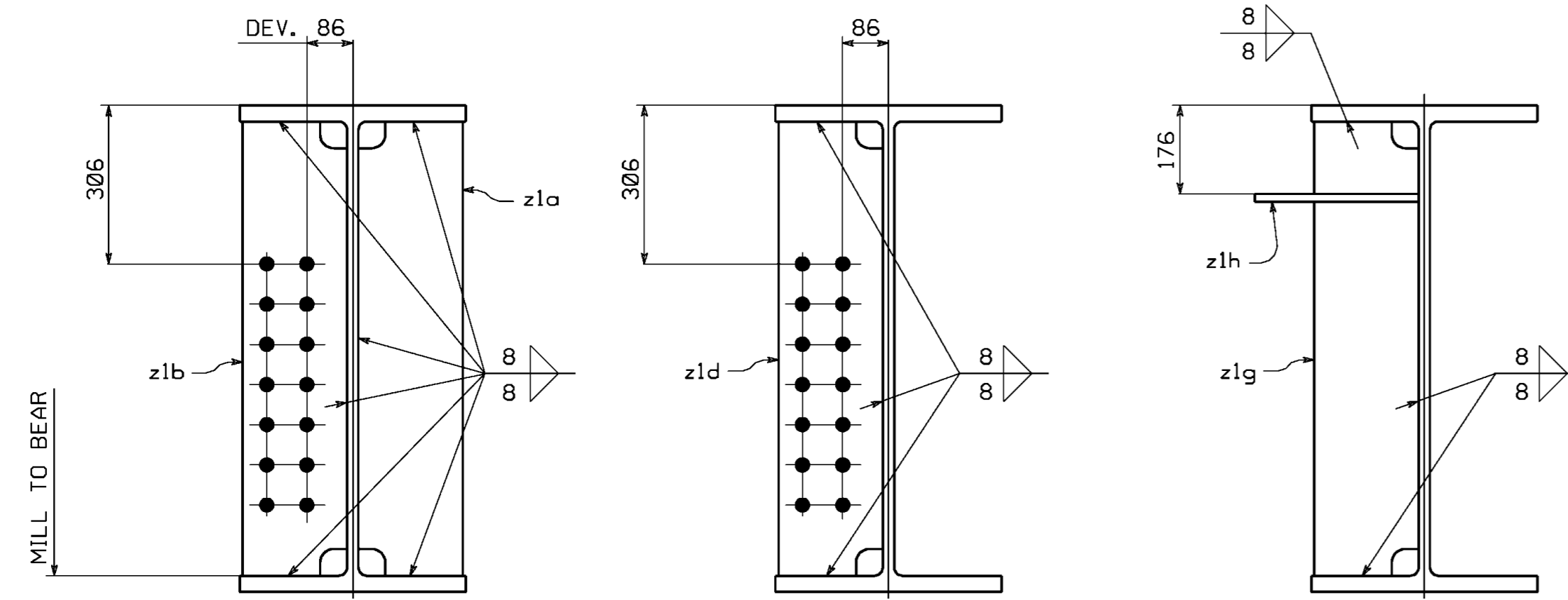
NO.	MARK	DESCRIPTION	LENGTH	REMARKS	ITEM	SHIP. WEIGHT EST.
ONE	FS1A	STRINGER				4458kg
1		W920 x 417	9833	(FCM) (W36 x 280)	5/7	
2	z1a	PL 22 x 195	848	(T)	8/1	
2	z1b	PL 22 x 195	848	(T)	8/1	
2	z1d	PL 14 x 195	848	(T)	8/2	
6	z1g	PL 14 x 195	848	(T)	8/2	
12	z1h	PL 14 x 250	310	(T) A709M GR. 250	8/3	



SECTION D



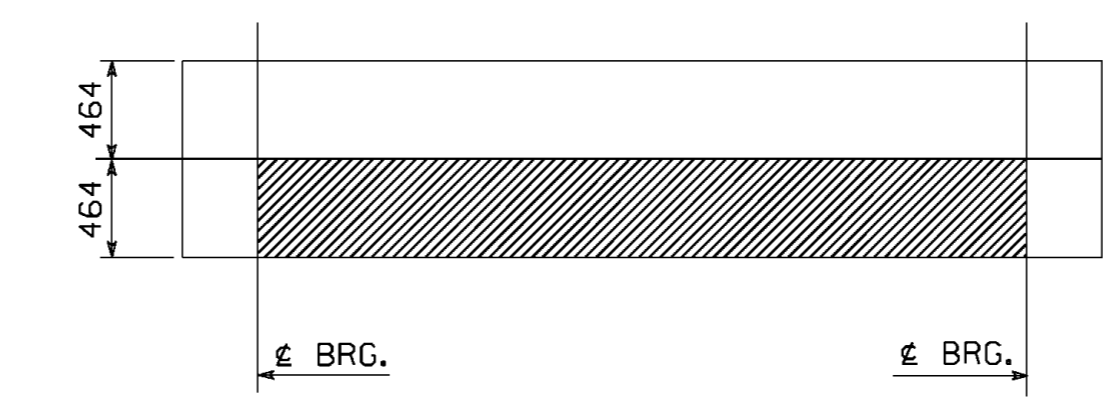
CAMBER DIAGRAM



SECTION A

SECTION B

SECTION C



FRACTURE CRITICAL / TENSION AREA DIAGRAM
HATCHING INDICATES TENSION AREA. ALL WELDS WITHIN THIS AREA ARE TO BE FRACTURE CRITICAL.

NOTE: PP ~ LIGHT RUST PREVENTIVE COAT

SHOP NOTE

HOLES: 15/16" Ø
BOLTS: NONE
PAINT: SEE DWG. GNI
FOR GENERAL SHOP NOTES, SEE DWG. GNI.

REVISION	APPROVAL	RS	3/2/05
NO.	REVISION	BY	DATE

1770 Hempstead Road
Lancaster, PA 17605-0008
Phone 717/299-5211

HIGH STEEL STRUCTURES, INC.
A Division of High Industries, Inc.

STRINGER FS1A

N.S. RAILWAY TEMP. TRESTLE BRIDGE OVER S.R. 0309
N.S. RAILWAY TEMP. TRESTLE BRIDGE STA. 8 + 671.276
MONTGOMERY COUNTY, PA
COMMONWEALTH OF PENNSYLVANIA
DEPARTMENT OF TRANSPORTATION

STATE CONTRACT OR REF. NO. S-25417 ECMS NO. 64275

CONTRACTOR NYLEVE BRIDGE CORPORATION

IN CHARGE: COLONIAL(WRC) MADE BY: RAS CHK'D BY: JTC DATE: 12-9-04

CONTRACT NUMBER: PA-04091-1 DRAWING NUMBER: 7 OF 46

CODE:50

BY: c:n11
PLOTTED: 03/23/05 03:45:41 PM