

METRIC

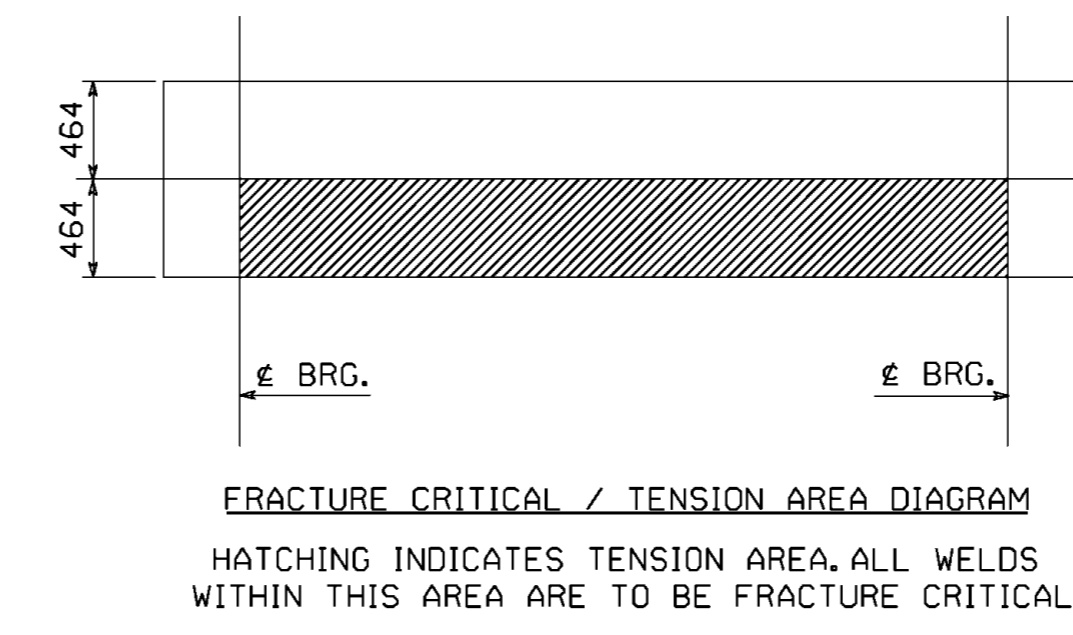
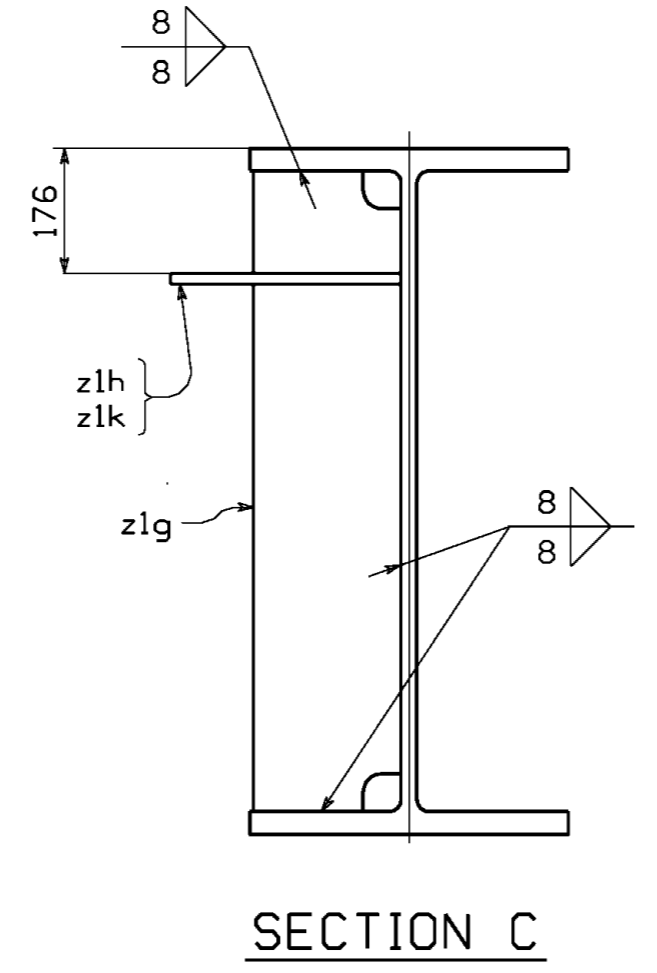
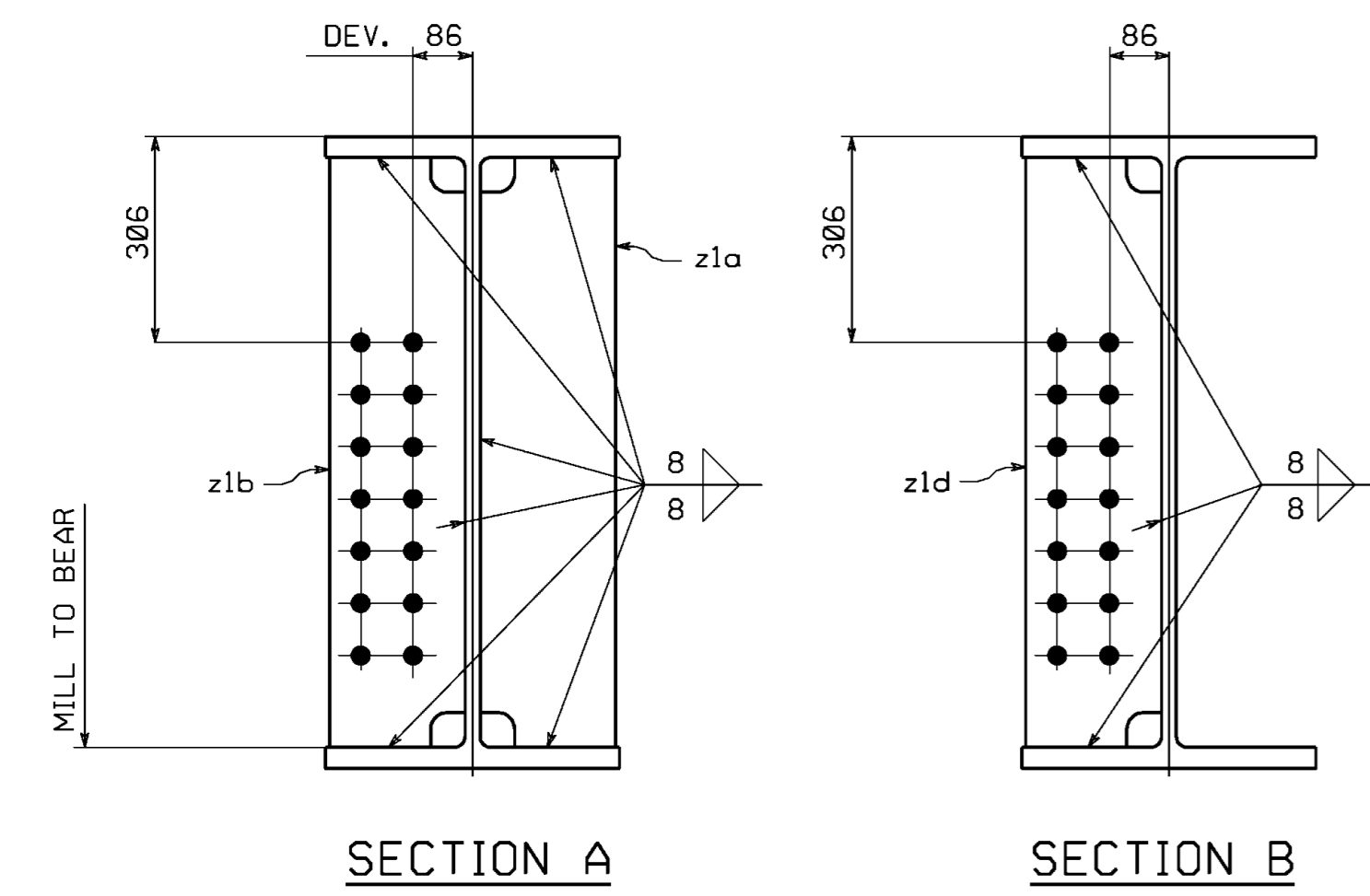
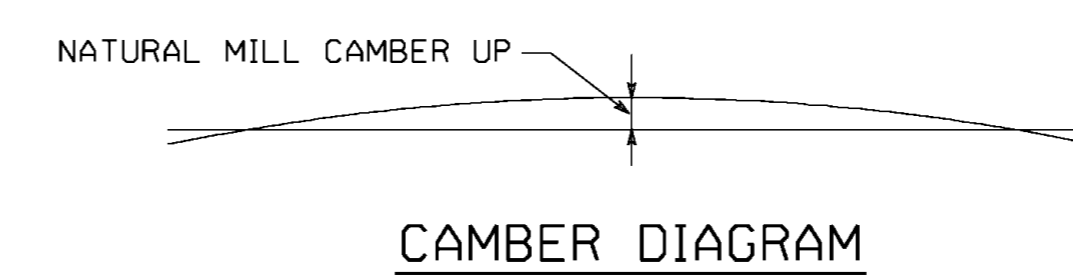
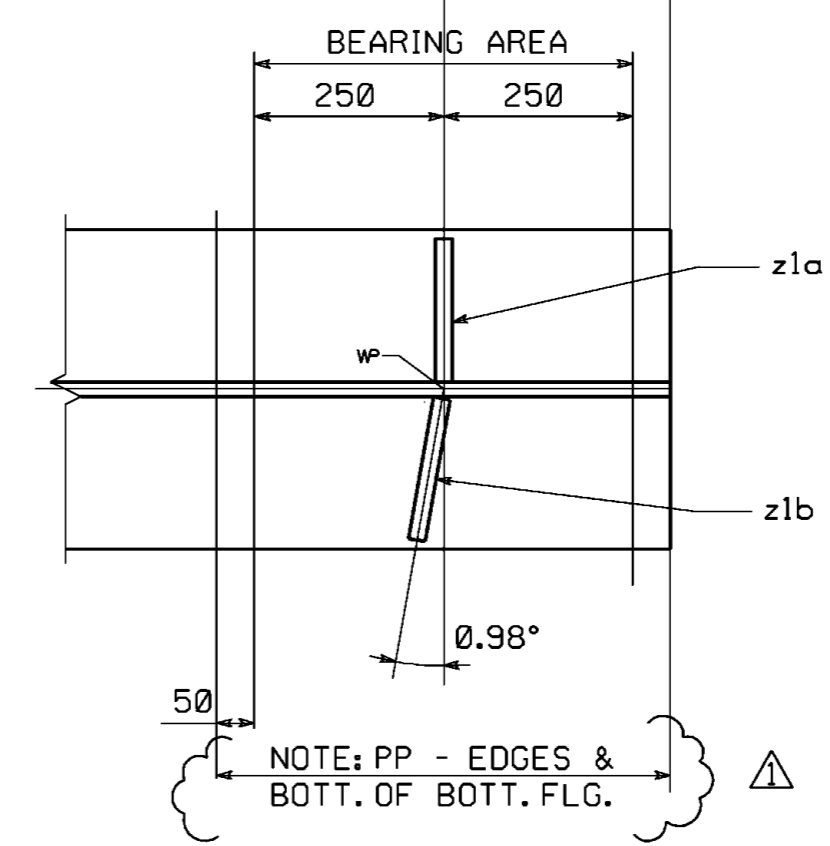
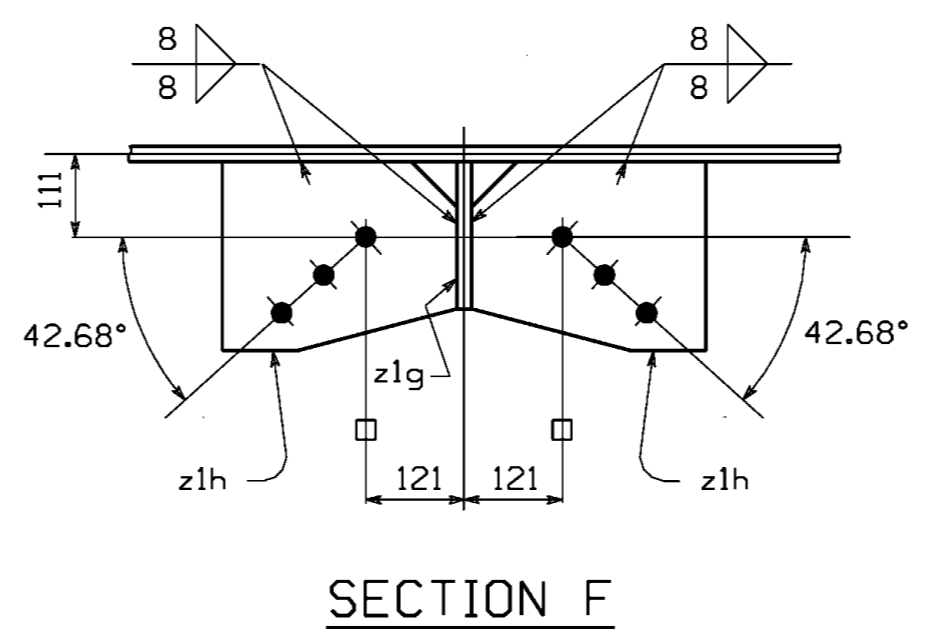
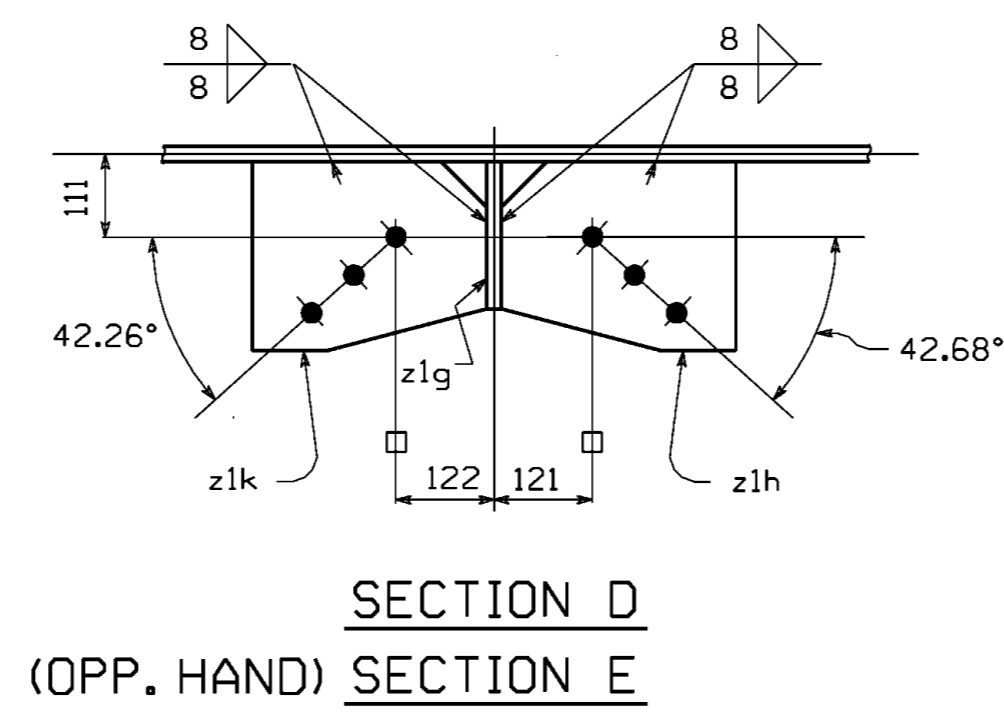
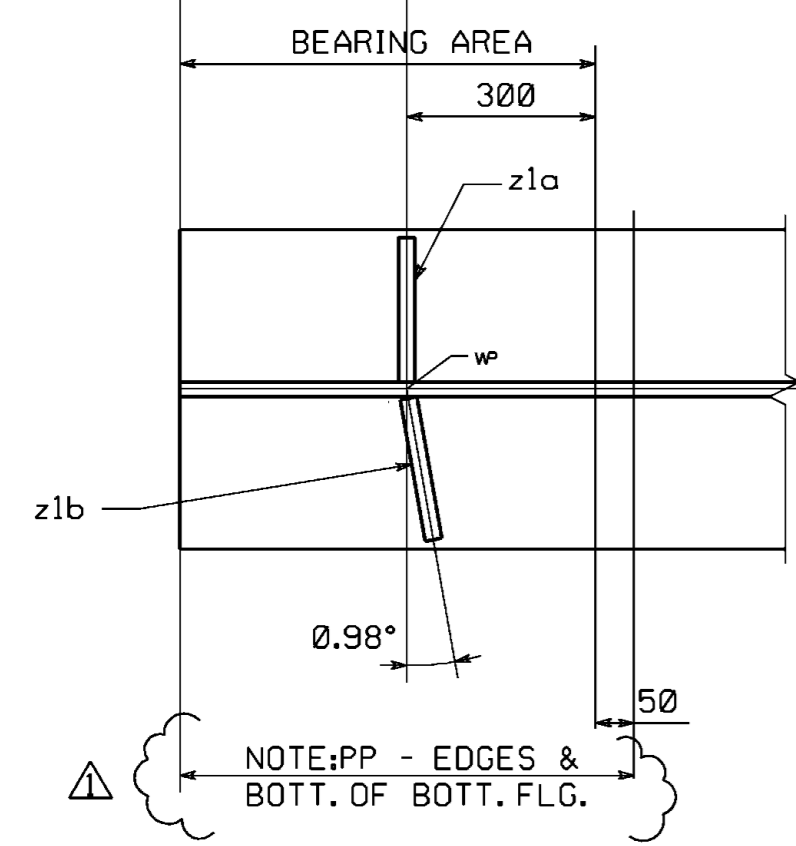
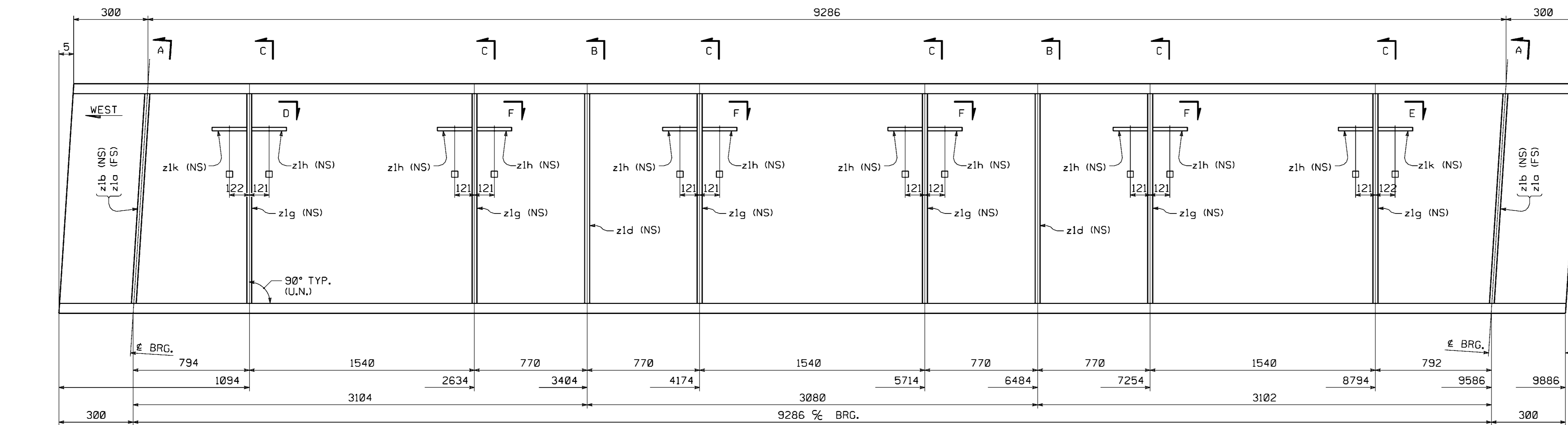
METRIC

1. ALL DIMENSIONS ARE IN MILLIMETERS UNLESS OTHERWISE NOTED.
2. ALL WEIGHTS ARE IN KILOGRAMS.

FED. ROAD DIV. NO.	STATE	FED. AID PROJ. NO.
3	PA	

BILL OF MATERIAL

NO.	MARK	DESCRIPTION	LENGTH	REMARKS	ITEM	SHIP. WEIGHT
ONE	FS37J	STRINGER				4483kg
1		W920 x 417	9891	(FCM) (W36 x 280)	5/5	
2	z1a	PL 22 x 195	848	(T)	8/1	
2	z1b	PL 22 x 195	848	(T)	8/1	
2	z1d	PL 14 x 195	848	(T)	8/2	
6	z1g	PL 14 x 195	848	(T)	8/2	
10	z1h	PL 14 x 250	310	(T)	8/3	A709M GR. 250
2	z1k	PL 14 x 250	310	(T)	8/3	A709M GR. 250



NOTE: PP - LIGHT RUST PREVENTIVE COAT

SHOP NOTE

HOLES: 15/16" Ø
BOLTS: NONE
PAINT: SEE DWG. GNI
 FOR GENERAL SHOP NOTES, SEE DWG. GNI.

1	REVISED NO PAINT TO LIGHT RUST PREVENTIVE COAT	APPROVAL CHANGE	RS	3/2/05
NO.	REVISION	BY	DATE	

1770 Hempstead Road
Lancaster, PA 17605-0008
Phone 717/299-5211

HIGH STEEL STRUCTURES, INC.

A Division of High Industries, Inc.

STRINGER FS37J

N.S. RAILWAY TEMP. TRESTLE BRIDGE OVER S.R. 0309
N.S. RAILWAY TEMP. TRESTLE BRIDGE STA. 8 + 671.276
MONTGOMERY COUNTY, PA
COMMONWEALTH OF PENNSYLVANIA
DEPARTMENT OF TRANSPORTATION

STATE CONTRACT OR REF. NO. S-25417 ECMS NO. 64275

CONTRACTOR NYLEVE BRIDGE CORPORATION

IN CHARGE: COLONIAL(WRC) MADE BY: RAS CHK'D: JTC DATE: 12-13-04

CONTRACT NUMBER: PA-04091-1 DRAWING NUMBER: 43 OF 46

CODE:50

BY: c:n11
PLOTTED: 03/03/05 03:39:27 PM