

METRIC

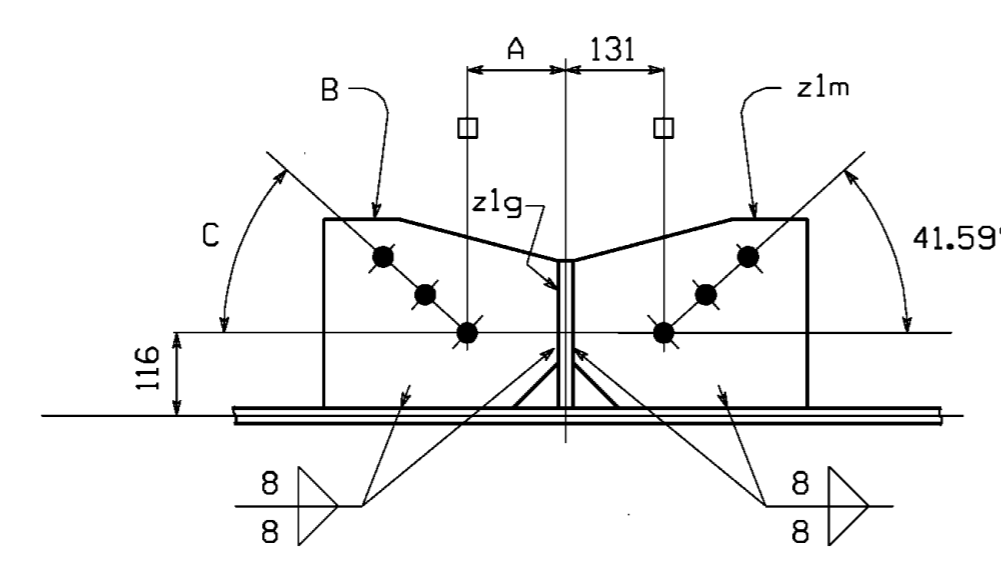
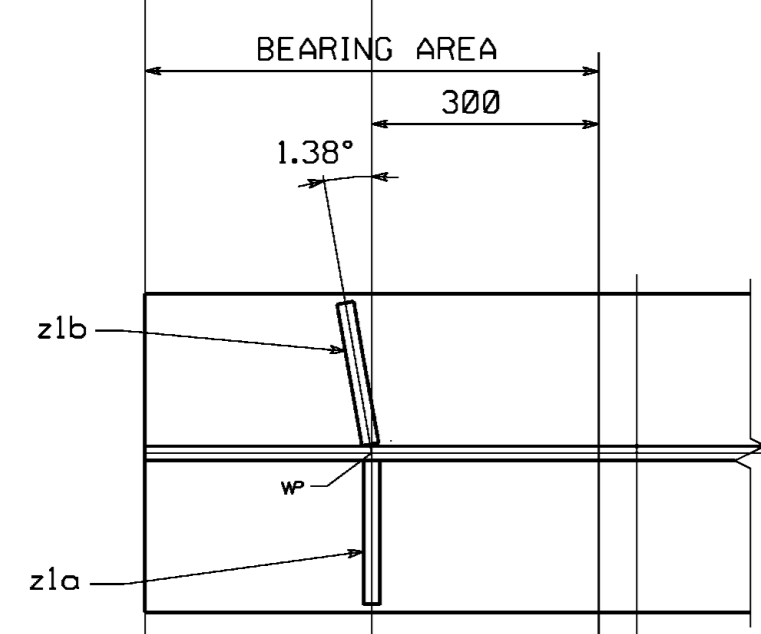
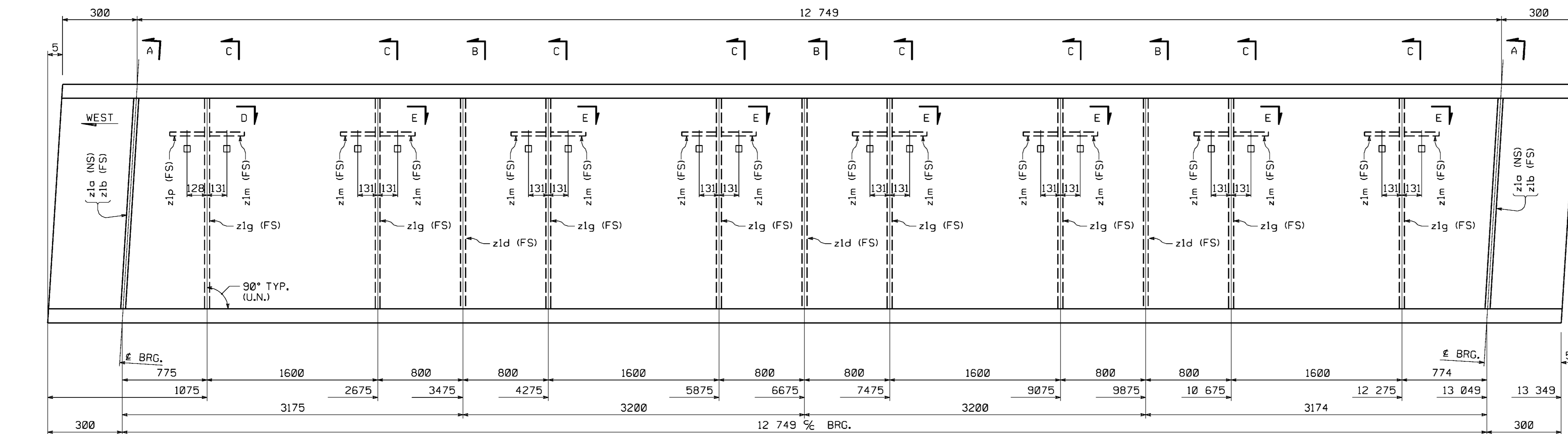
METRIC

1. ALL DIMENSIONS ARE IN MILLIMETERS UNLESS OTHERWISE NOTED.  
2. ALL WEIGHTS ARE IN KILOGRAMS.

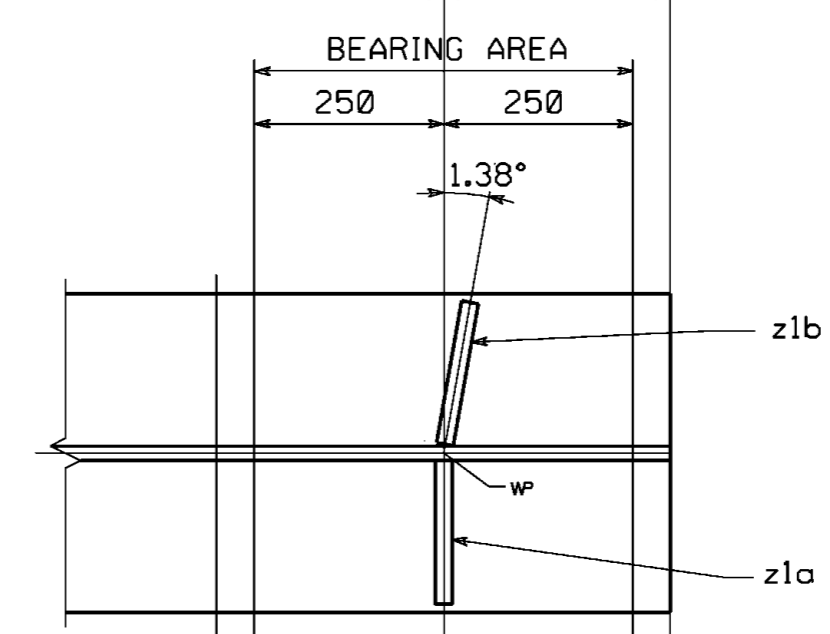
FED. ROAD DIV. NO.	STATE	FED. AID PROJ. NO.
3	PA	

BILL OF MATERIAL

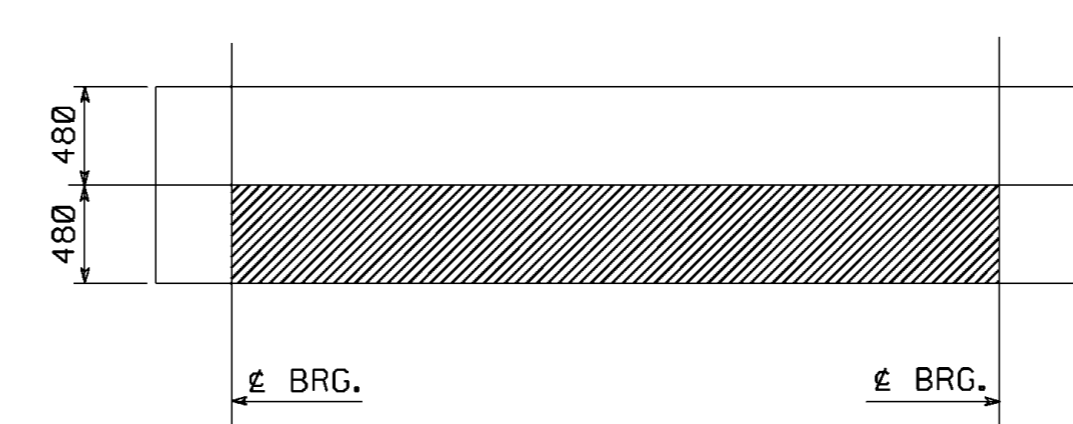
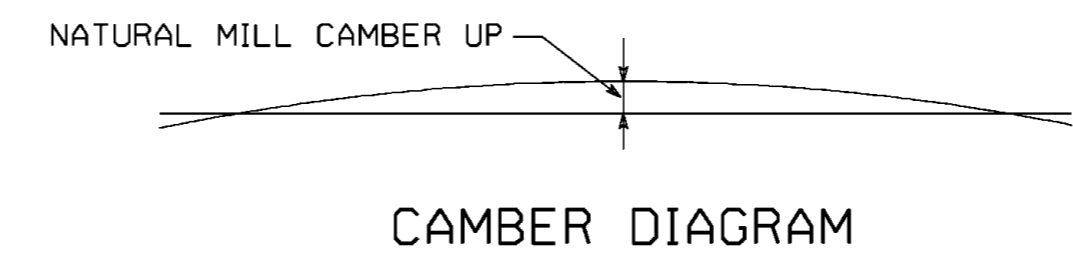
NO.	MARK	DESCRIPTION	LENGTH	REMARKS	ITEM	SHIP. WEIGHT
ONE	FS32H	STRINGER				8258kg
1		W920 x 585	13 354 (FCM) (W36 x 393)		5/4	
2	z1o	PL 22 x 195	848 (T)		8/1	
2	z1b	PL 22 x 195	848 (T)		8/1	
3	z1d	PL 14 x 195	848 (T)		8/2	
8	z1g	PL 14 x 195	848 (T)		8/2	
15	z1m	PL 14 x 250	310 (T)	A789M GR. 250	8/3	
1	z1p	PL 14 x 250	310 (T)	A789M GR. 250	8/3	



	A	B	C
SECT. D	128	z1p	42.04°
SECT. E	131	z1m	41.59°



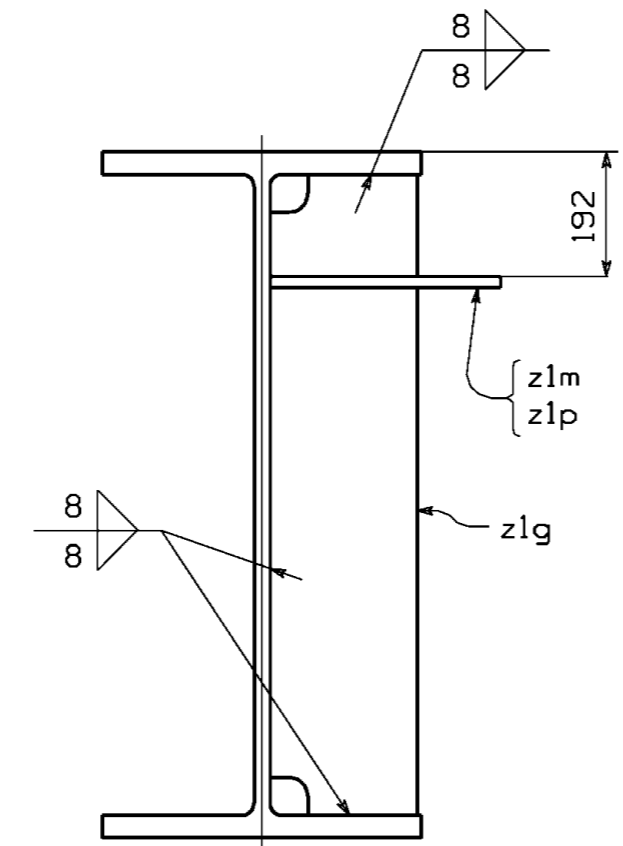
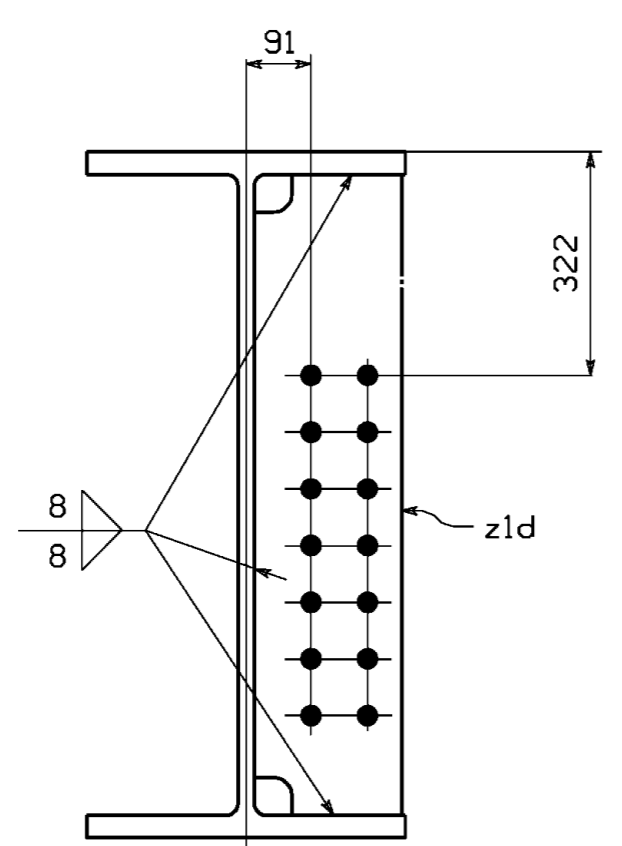
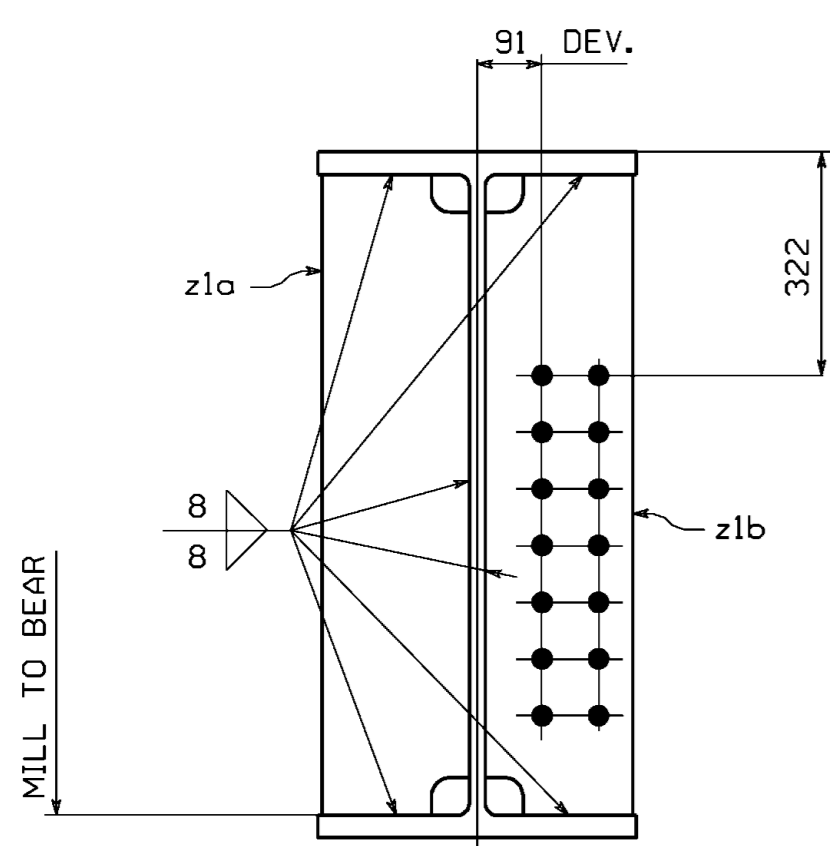
NOTE: PP - EDGES & BOTT. OF BOTT. FLG.



NOTE: PP - LIGHT RUST PREVENTIVE COAT

SHOP NOTE

HOLES: 15/16" Ø  
 BOLTS: NONE  
 PAINT: SEE DWG. GNI  
 FOR GENERAL SHOP NOTES, SEE DWG. GNI.



SECTION A

SECTION B

SECTION C

BY: c:n11  
PLOTTED: 03/03/05 03:32:14 PM

CODE:50

REVISION	NO.	DATE
1	REVISED NO PAINT TO LIGHT RUST PREVENTIVE COAT	3/2/05
APPROVAL	RS	DATE
CHANGE	BY	DATE

1770 Hempstead Road  
Lancaster, PA 17605-0008  
Phone 717/299-5211

**HIGH STEEL STRUCTURES, INC.**  
A Division of High Industries, Inc.

STRINGER FS32H  
N.S. RAILWAY TEMP. TRESTLE BRIDGE OVER S.R. 0309  
N.S. RAILWAY TEMP. TRESTLE BRIDGE STA. 8 + 671.276  
MONTGOMERY COUNTY, PA  
COMMONWEALTH OF PENNSYLVANIA  
DEPARTMENT OF TRANSPORTATION

STATE CONTRACT OR REF. NO. S-25417 ECMS NO. 64275  
CONTRACTOR NYLEVE BRIDGE CORPORATION  
IN CHARGE: COLONIAL(WRC) MADE BY: RAS CHK'D BY: JTC DATE: 12-14-04  
CONTRACT NUMBER: PA-04091-1 DRAWING NUMBER: 38 OF 46