

METRIC

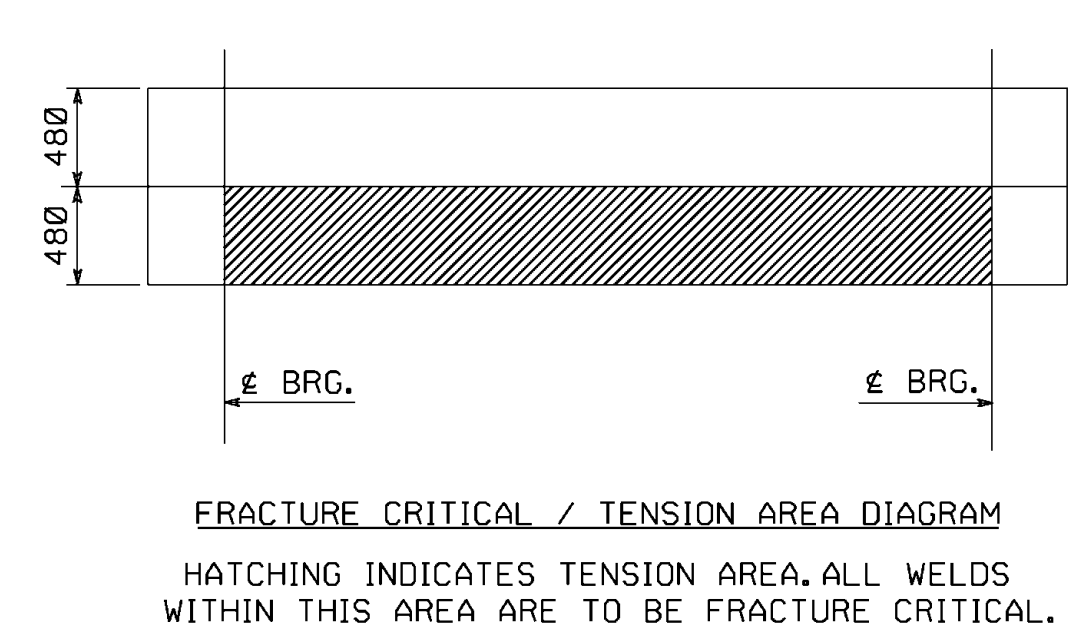
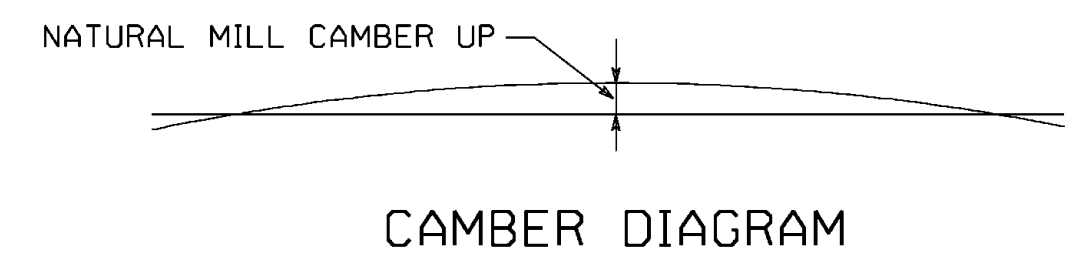
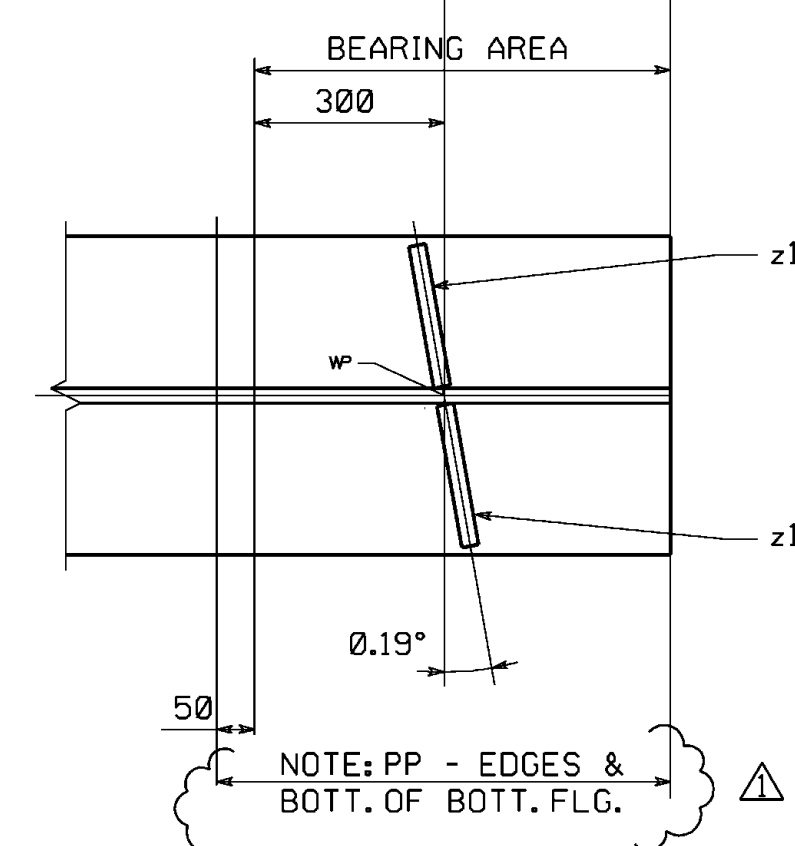
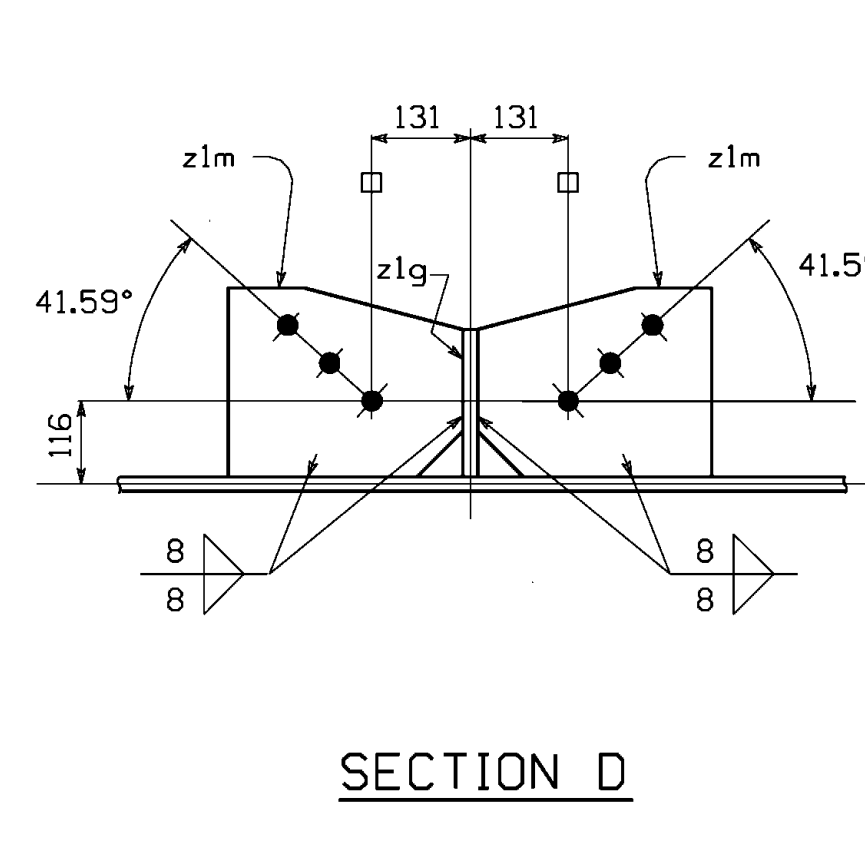
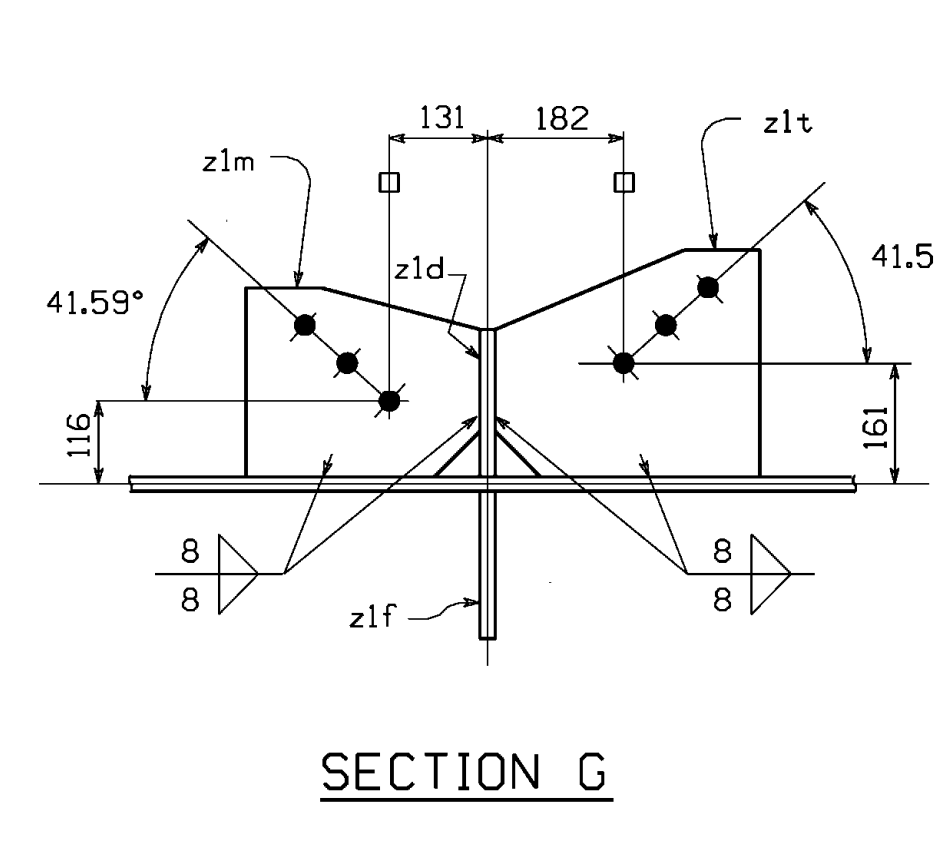
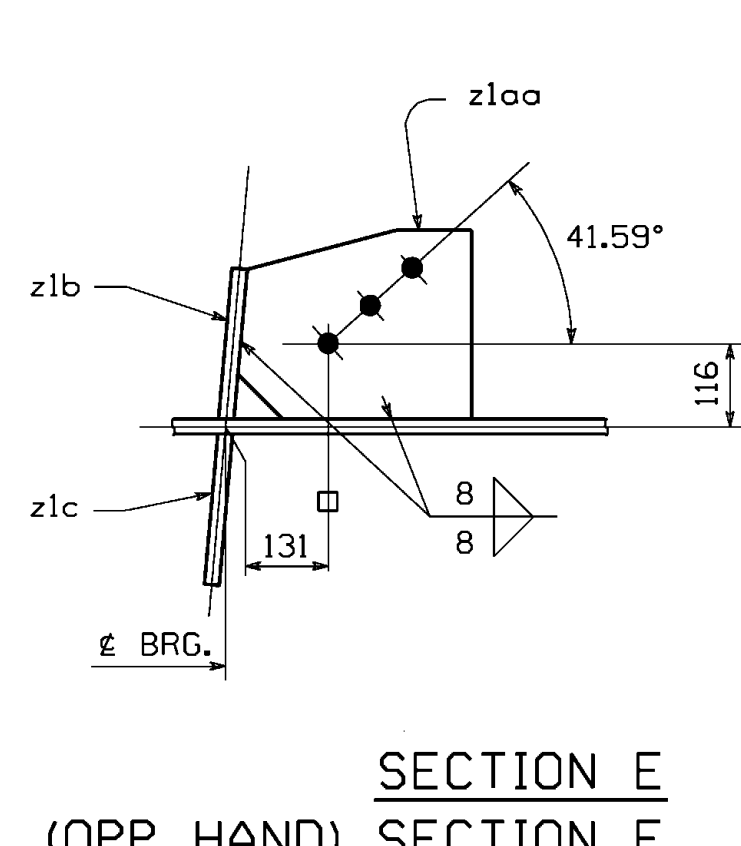
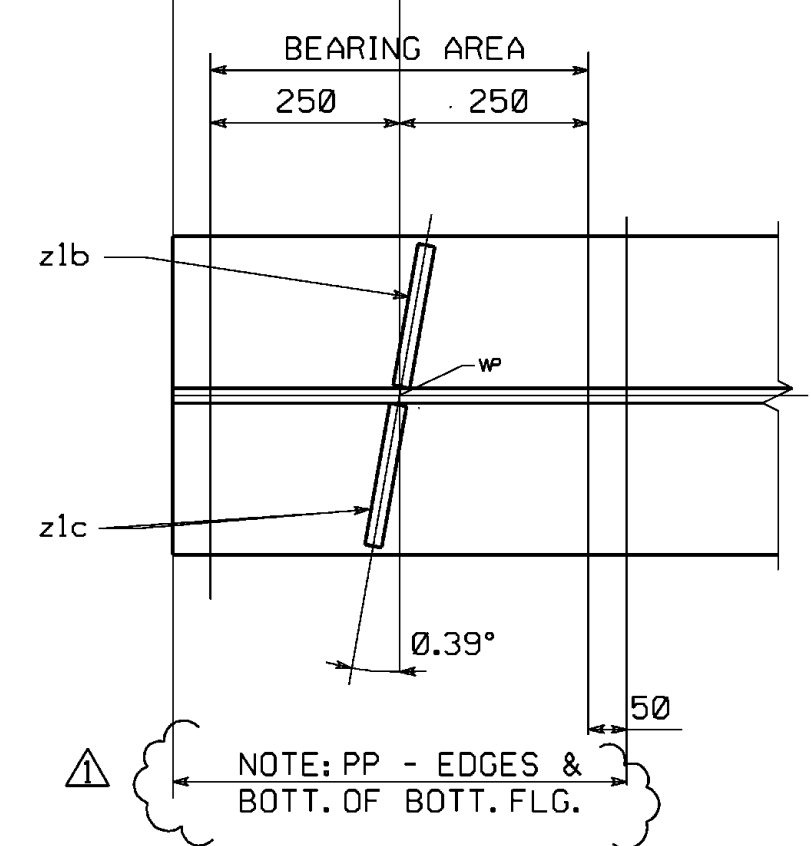
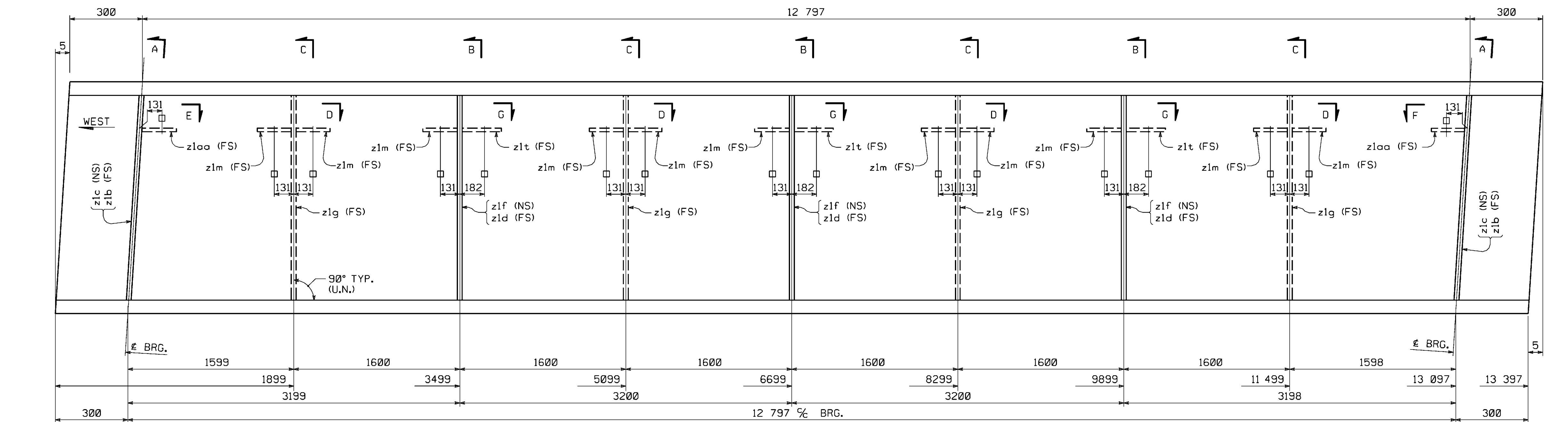
METRIC

1. ALL DIMENSIONS ARE IN MILLIMETERS UNLESS OTHERWISE NOTED.
2. ALL WEIGHTS ARE IN KILOGRAMS.

FED. ROAD DIV. NO.	STATE	FED. AID PROJ. NO.
3	PA	

BILL OF MATERIAL

NO.	MARK	DESCRIPTION	LENGTH	REMARKS	ITEM	SHIP. WEIGHT EA.
ONE	FS6B	STRINGER				8265kg
1		W920 x 585	13 402 (FCM) (W36 x 393)		5/3	
2	z1b	PL 22 x 195	848 (T)		8/1	
2	z1c	PL 22 x 195	848 (T)		8/1	
3	z1d	PL 14 x 195	848 (T)		8/2	
3	z1f	PL 14 x 195	848 (T)		8/2	
4	z1g	PL 14 x 195	848 (T)		8/2	
11	z1m	PL 14 x 250	310 (T)	A709M GR. 250	8/3	
3	z1t	PL 14 x 305	335 (T)	A709M GR. 250	8/3	
2	z1aa	PL 14 x 250	310 (T)	A709M GR. 250	8/3	



NOTE: PP - LIGHT RUST PREVENTIVE COAT

SHOP NOTE

HOLES: 15/16" Ø
 BOLTS: NONE
 PAINT: SEE DWG. GNI
 FOR GENERAL SHOP NOTES, SEE DWG. GNI.

BY: c:n11
PLOTTED: 03/23/05 02:50:05 PM

REVISION	APPROVAL	RS	3/2/05
NO.	REVISION	BY	DATE
<p>1770 Hempstead Road Lancaster, PA 17605-0008 Phone 717/299-5211</p> <p>HIGH STEEL STRUCTURES, INC. A Division of High Industries, Inc.</p>			
STRINGER		FS6B	
N.S. RAILWAY TEMP. TRESTLE BRIDGE OVER S.R. 0309			
N.S. RAILWAY TEMP. TRESTLE BRIDGE STA. 8 + 671.276			
MONTGOMERY COUNTY, PA			
COMMONWEALTH OF PENNSYLVANIA			
DEPARTMENT OF TRANSPORTATION			
STATE CONTRACT OR REF. NO.	S-25417	ECMS NO.	64275
CONTRACTOR NYLEVE BRIDGE CORPORATION			
IN CHARGE:	COLONIAL(WRC)	MADE BY:	RAS
CHK'D BY:	JTC	DATE:	12-13-04
CONTRACT NUMBER:	PA-04091-1	DRAWING NUMBER:	12 OF 46

CODE:50