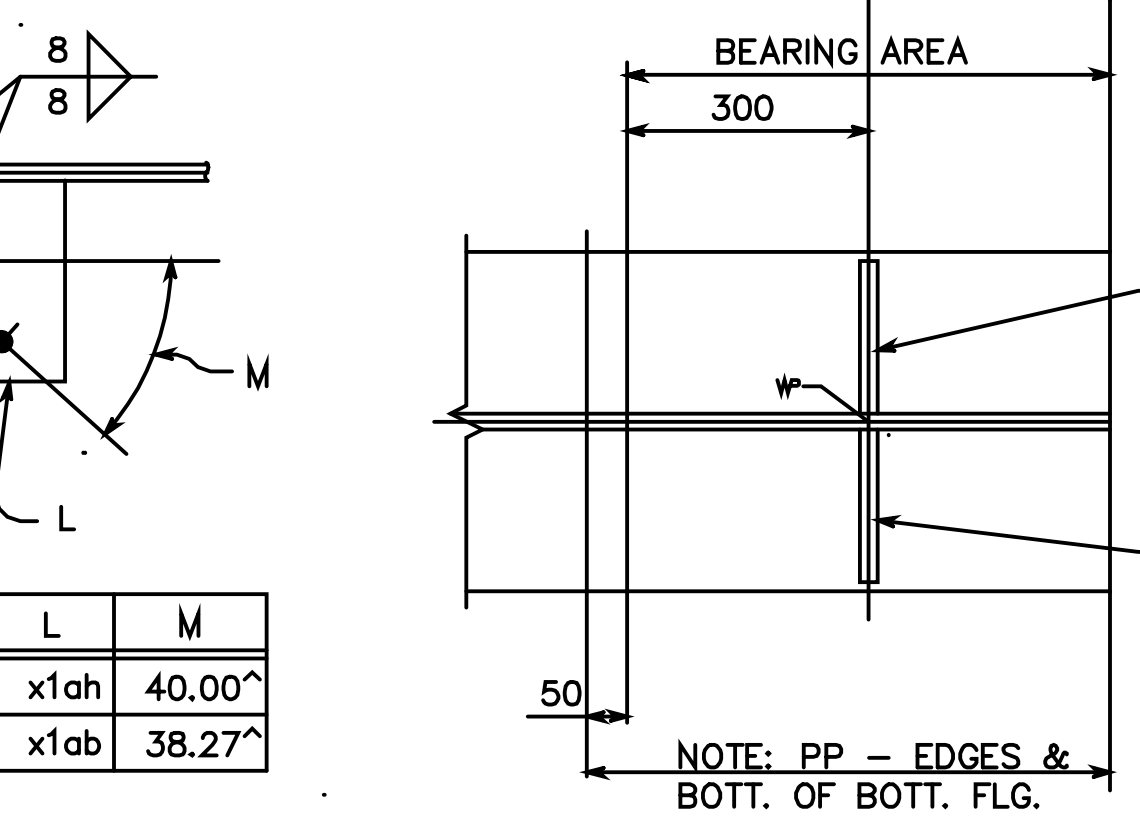
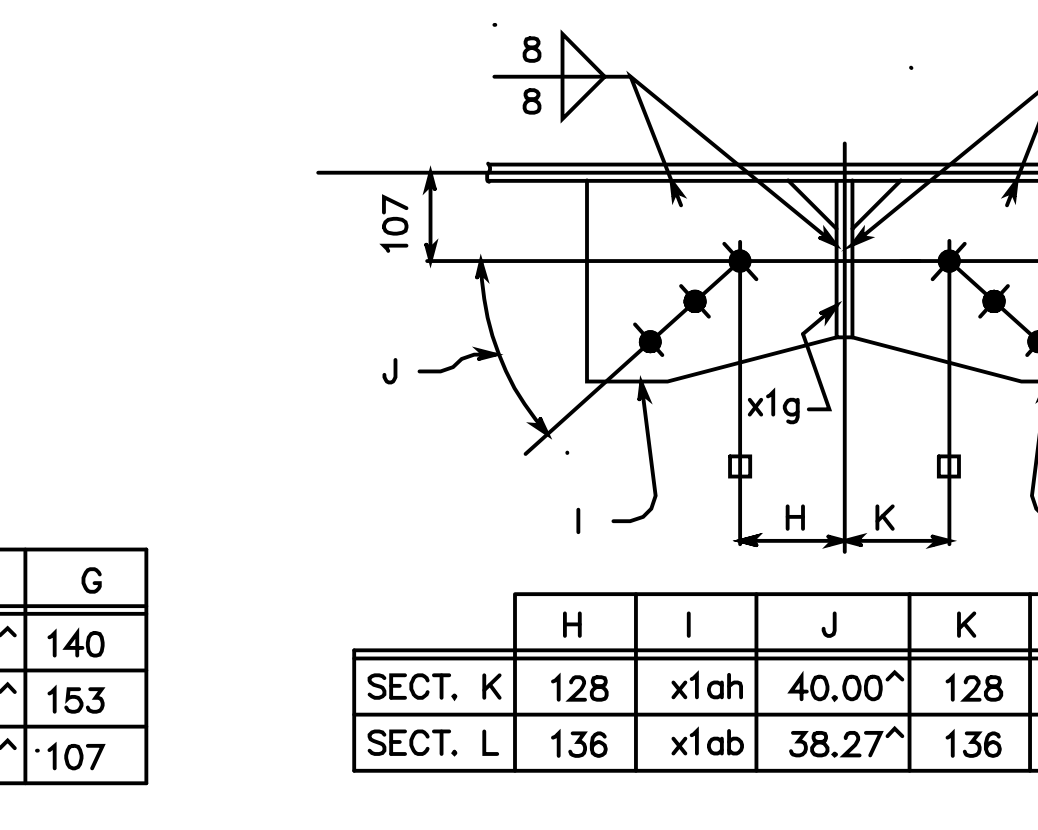
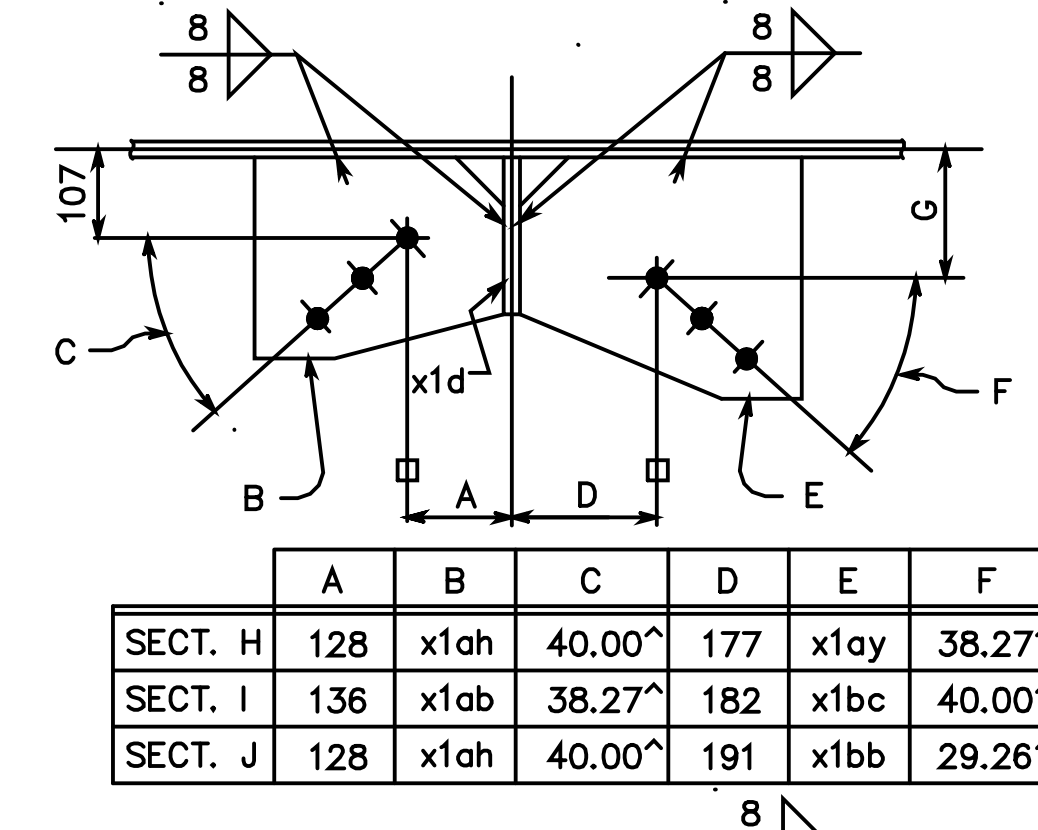
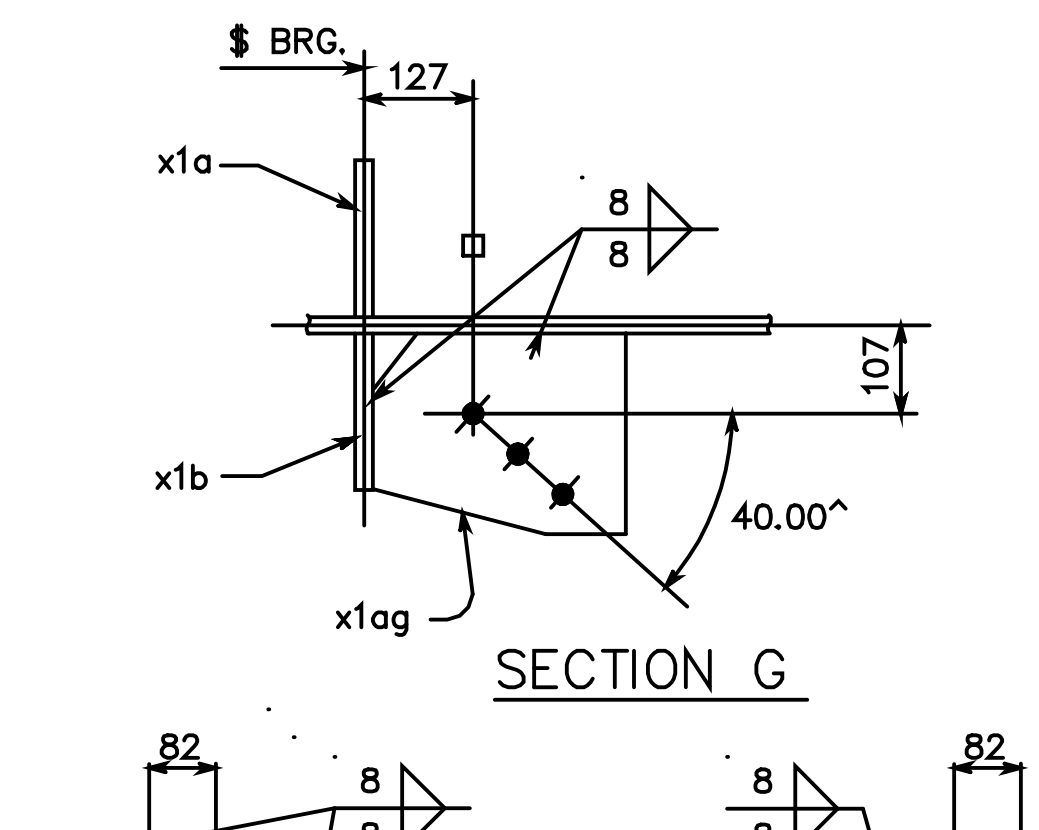
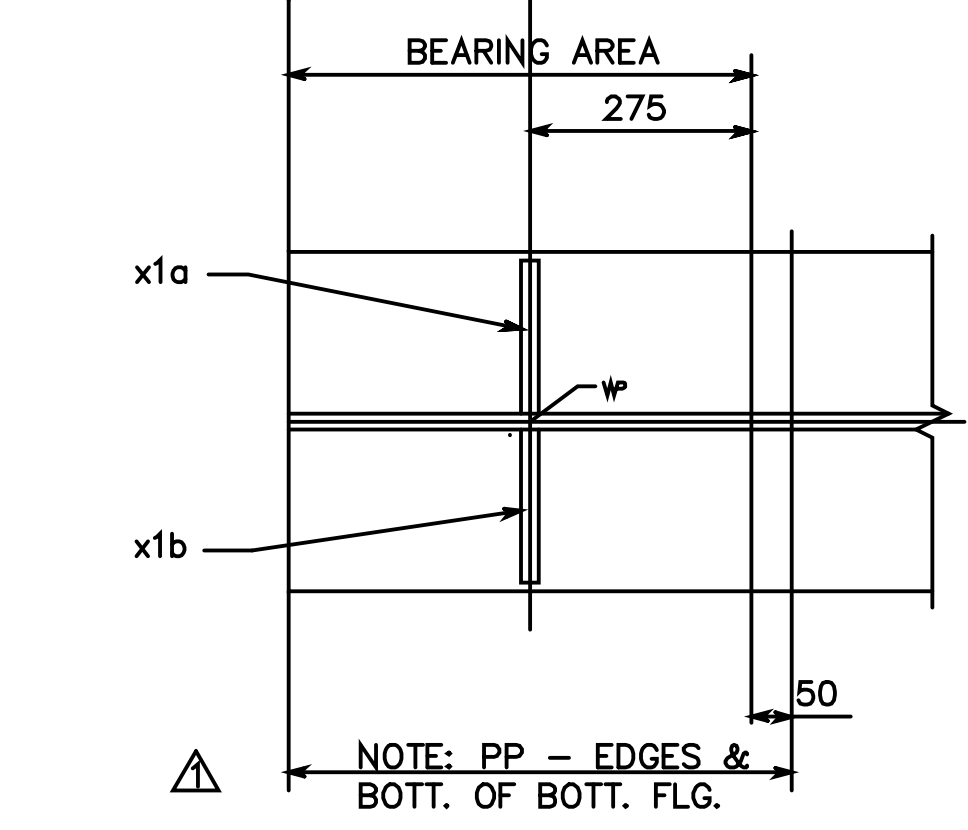
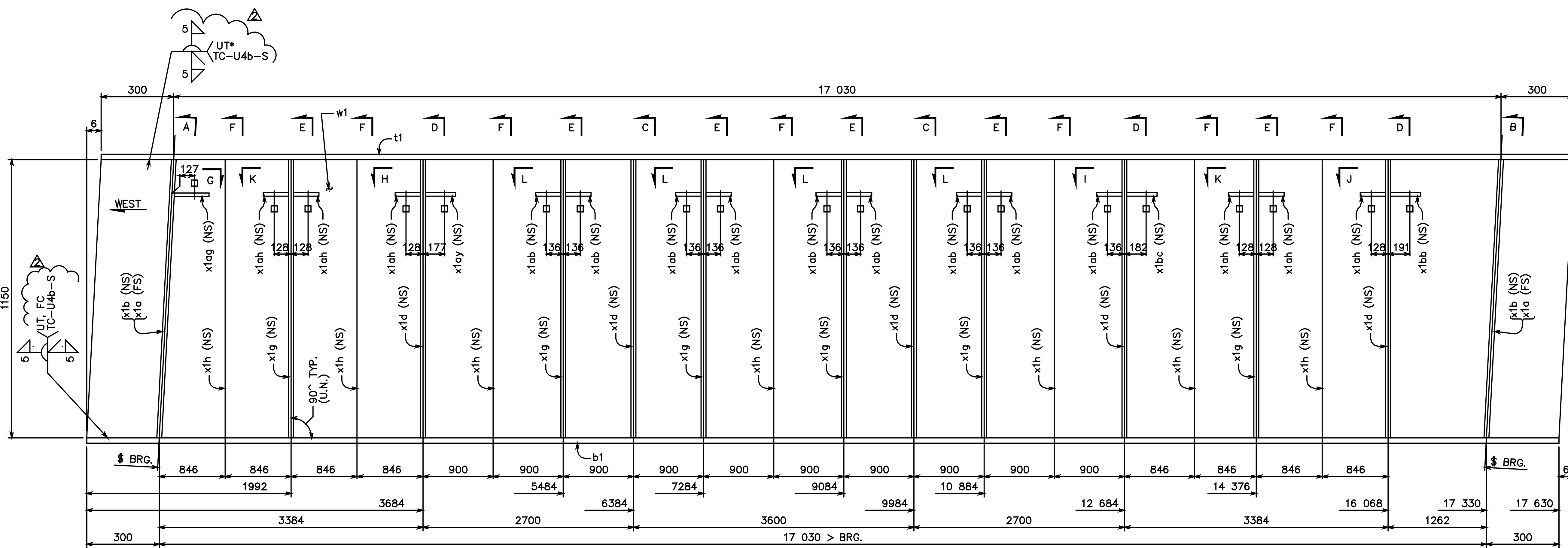


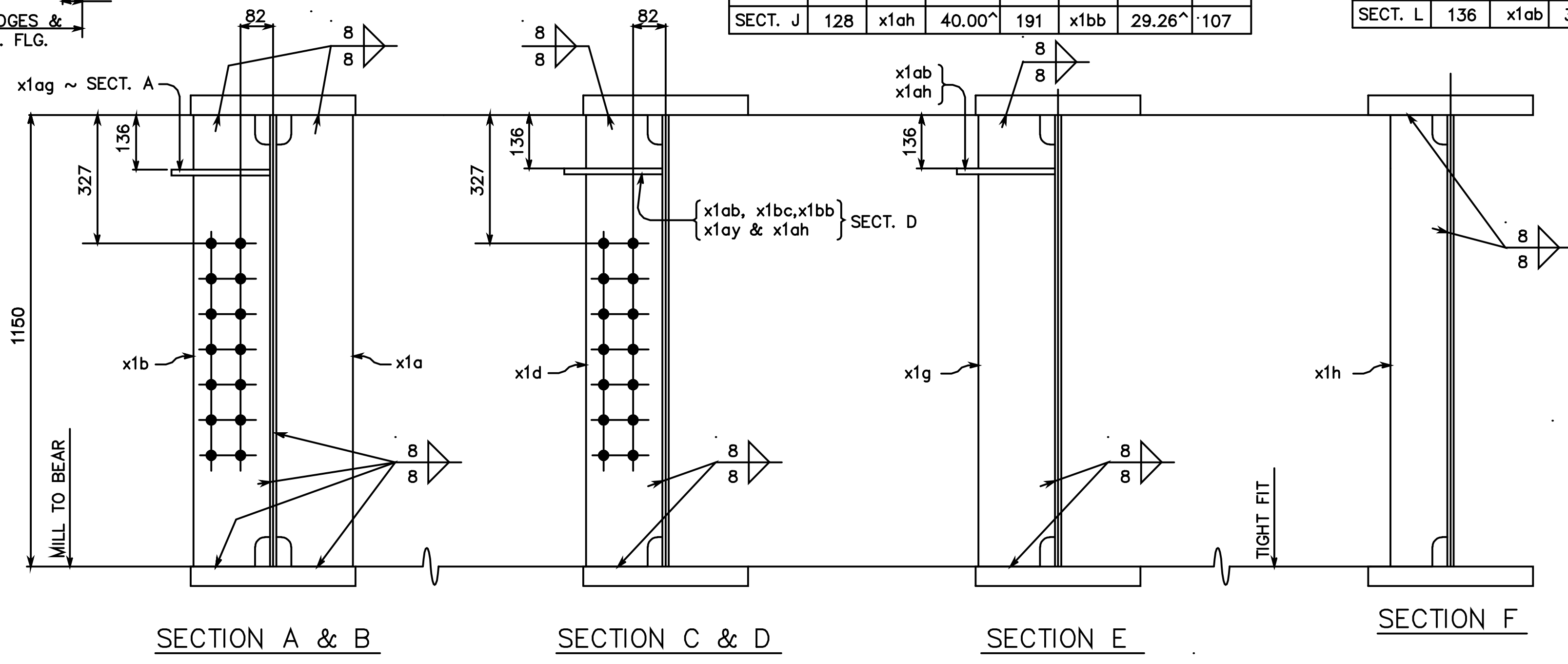
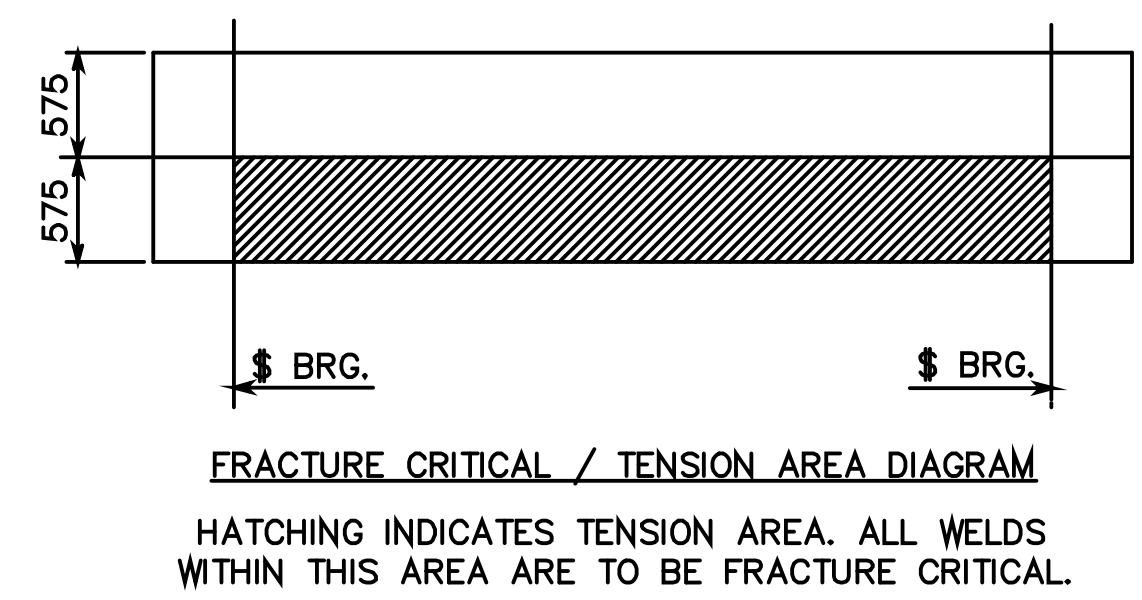
BILL OF MATERIAL

NO.	MARK	DESCRIPTION	LENGTH	REMARKS	ITEM	SHR. WEIGHT EA.
ONE	FG17E	GIRDER				11062kg
						10366.3
1	w1	14 x 1150	17 636	A709M GR. 250 (FCM)	3/2	2228.6
1	t1	70 x 420	17 630	(T) A709M GR. 250	4/4	4068.3
1	b1	70 x 420	17 630	A709M GR. 250 (FCM)	4/3	4068.3
2	x1a	22 ' 195	1150	(T)	7/4	
2	x1b	22 ' 195	1150	(T)	7/4	
5	x1d	14 ' 195	1150	(T)	7/3	
6	x1g	14 ' 195	1150	(T)	7/3	
7	x1h	14 ' 140	1150	(T)	7/4	
9	x1ab	14 ' 250	310	(T) A709M GR. 250	7/6	
1	x1ag	14 ' 250	310	(T) A709M GR. 250	7/6	
6	x1ah	14 ' 250	310	(T) A709M GR. 250	7/6	
1	x1ay	14 ' 305	335	(T) A709M GR. 250	7/6	
1	x1bc	14 ' 305	335	(T) A709M GR. 250	7/6	
1	x1bb	14 ' 250	360	(T) A709M GR. 250	7/6	



	A	B	C	D	E	F	G
SECT. H	128	x1ah	40.00°	177	x1ay	38.27°	140
SECT. I	136	x1ab	38.27°	182	x1bc	40.00°	153
SECT. J	128	x1ah	40.00°	191	x1bb	29.26°	107

	H	I	J	K	L	M
SECT. K	128	x1ah	40.00°	128	x1ah	40.00°
SECT. L	136	x1ab	38.27°	136	x1ab	38.27°



UT* = TEST 100% AT EACH END OF TOP FLANGE FROM CENTERLINE OF BEARING FOR 10% OF LENGTH AND 10% OF REMAINING LENGTH.

NOTE: PP ~ LIGHT RUST PREVENTIVE COAT

SHOP NOTE

HOLES: ?!
 BOLTS: NONE
 PAINT: SEE DWG. GN1
 FOR GENERAL SHOP NOTES, SEE DWG. GN1.
 FOR WEB CAMBER DIAGRAM, SEE DWG. WC1.

2	REVISED WELD SYMBOL PER SHOP REQUEST	RS	4/5/05
1	REVISED UT NOTE AND NO PAINT TO LIGHT RUST PREVENTIVE COAT	APPROVAL CHANGE	RS 3/2/05

GIRDER_ FG17E

RAS JTC 12-21-04

CODE:30

-1 23 OF 46