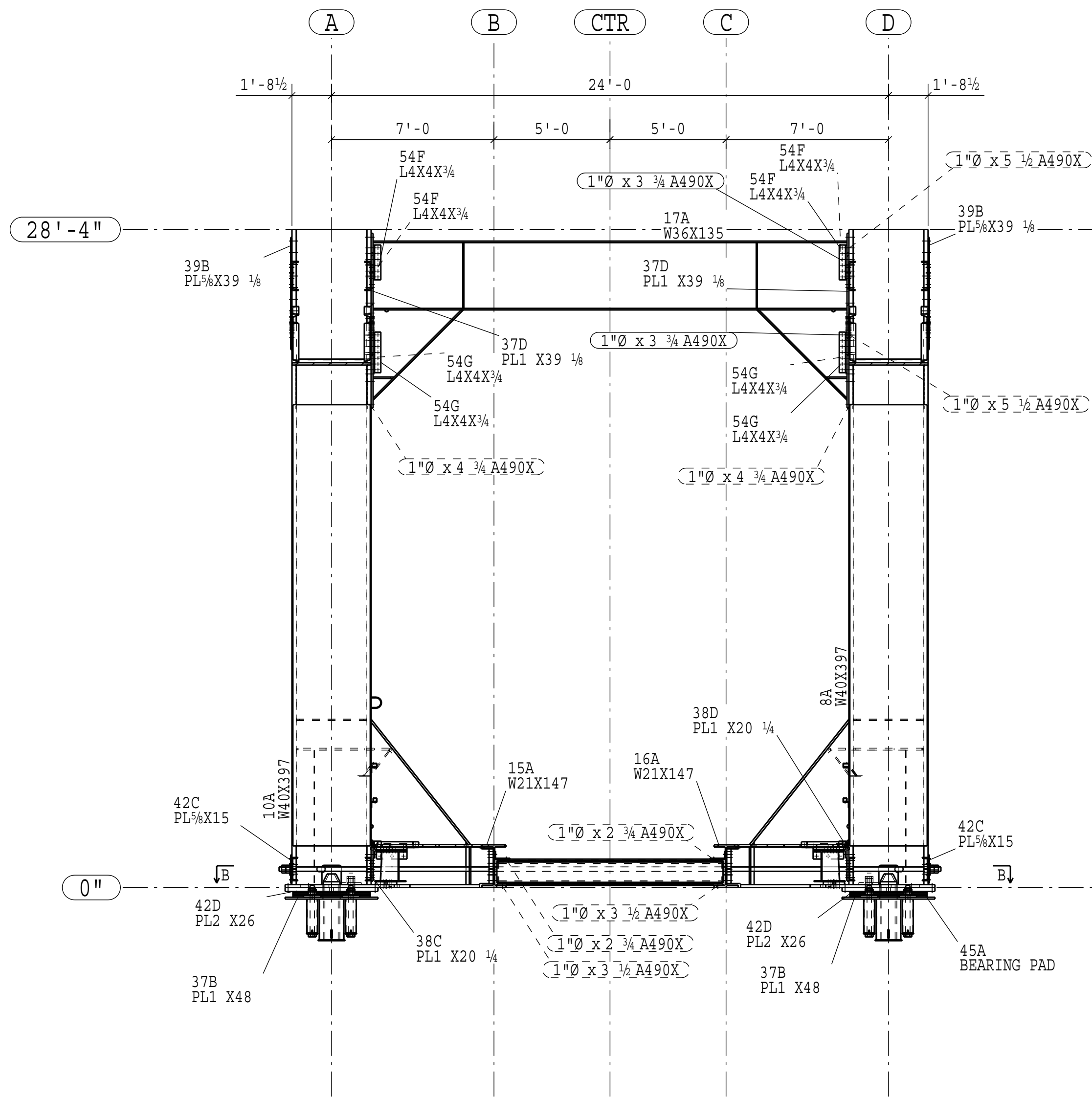
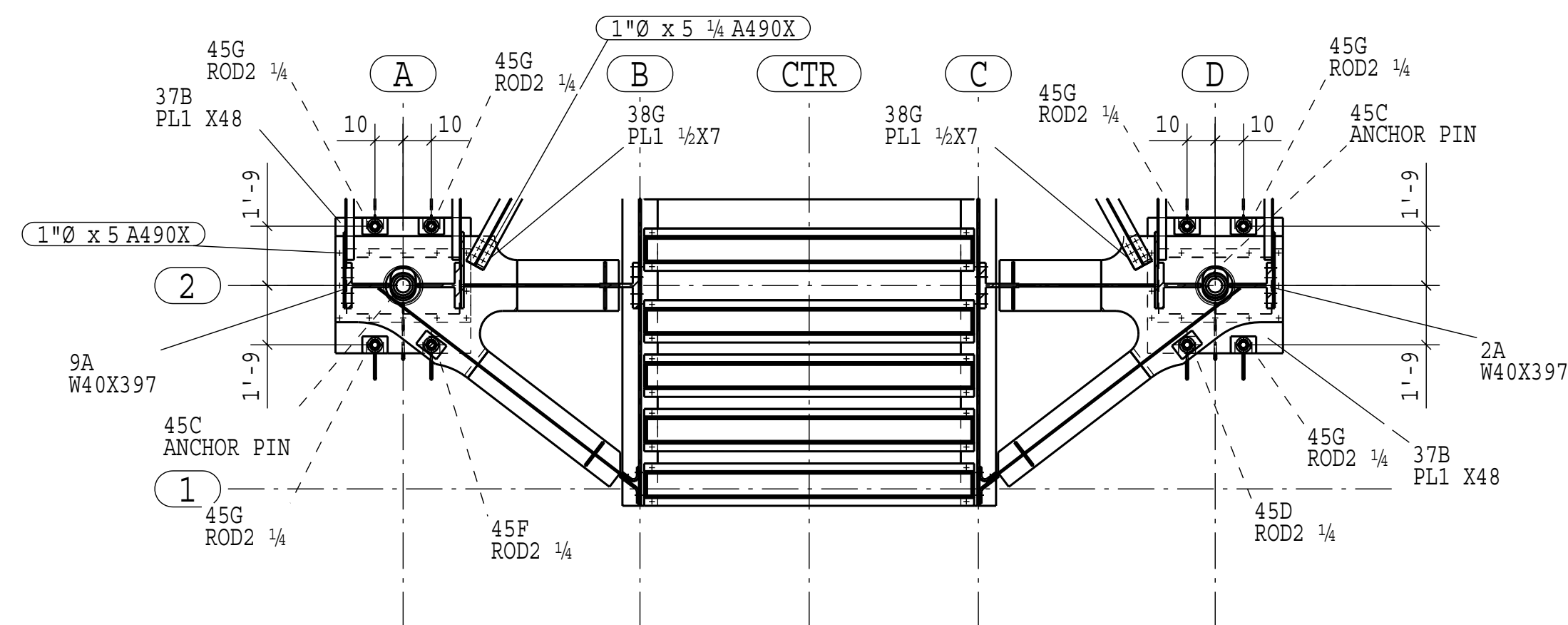


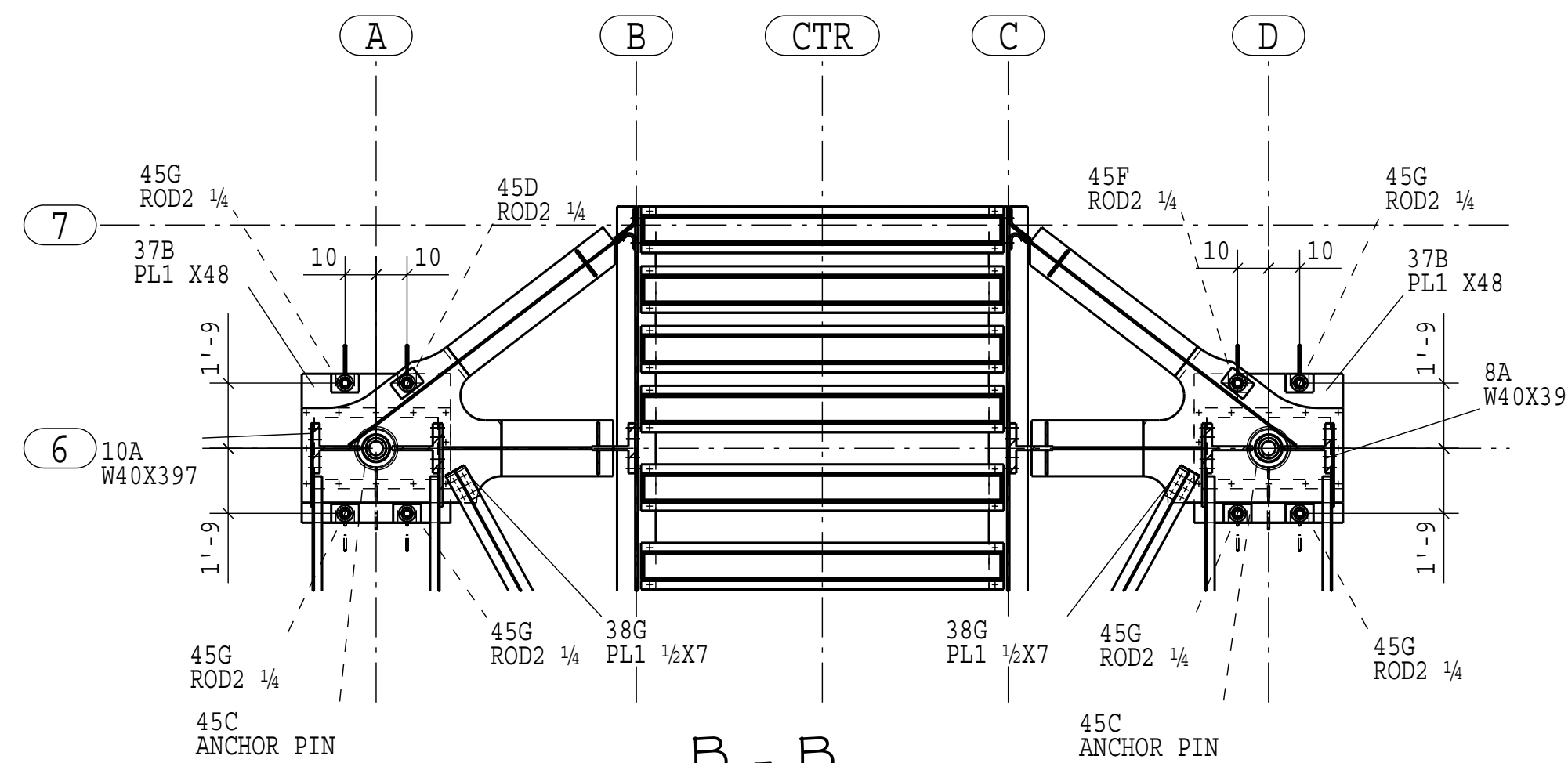
VIEW @ GRID 2



VIEW @ GRID 6



A - A



B - B

06/06/04	ISSUED FOR CONSTRUCTION	CSD
05/17/04	ISSUED FOR RE-APPROVAL	CSD
09/02/03	ISSUED FOR APPROVAL	CSD
UNIVERSAL STRUCTURAL, INC. 604 S.E. VICTORY AVE. VANCOUVER, WASHINGTON		Cadre Steel Detailing
JOB NAME & LOCATION: Guadalupe River Bridge San Jose, California		ARCH. ENGR. US Army Corps of Engineers CONTR.
REF: DRAWN BY: 09/02/2003 SHEET TITLE: GRID LINES 2 AND 6	CHECKED BY:	JOB 24107 E2
MODIFIED DATE: 05/17/2004 LAST PLOT DATE: 06/06/2004 CAD FILENAME: MAIN BRIDGE FAB-1-NEW		